

MATERIAL NO.	LENGTH	REF. OVERALL LENGTH
847023020	20 FT 0 IN (6.1M)	20 FT 2.3 IN (6.15M)

(M) CABLE LENGTH TOLERANCES

<.3M [1FT]: +19mm-0 [+.75in-0]

.3 - .9M [1 - 3FT]: +44.5mm-0 [+1.75in-0]

.9 - 1.8M [3 - 6FT]: +55.6mm-0 [+2.19in-0]

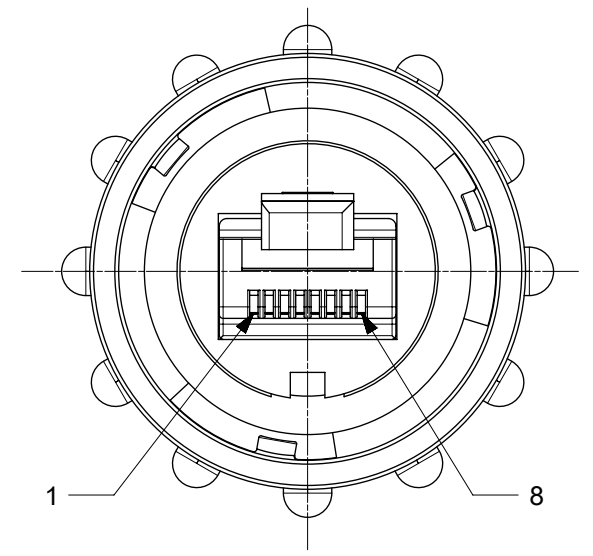
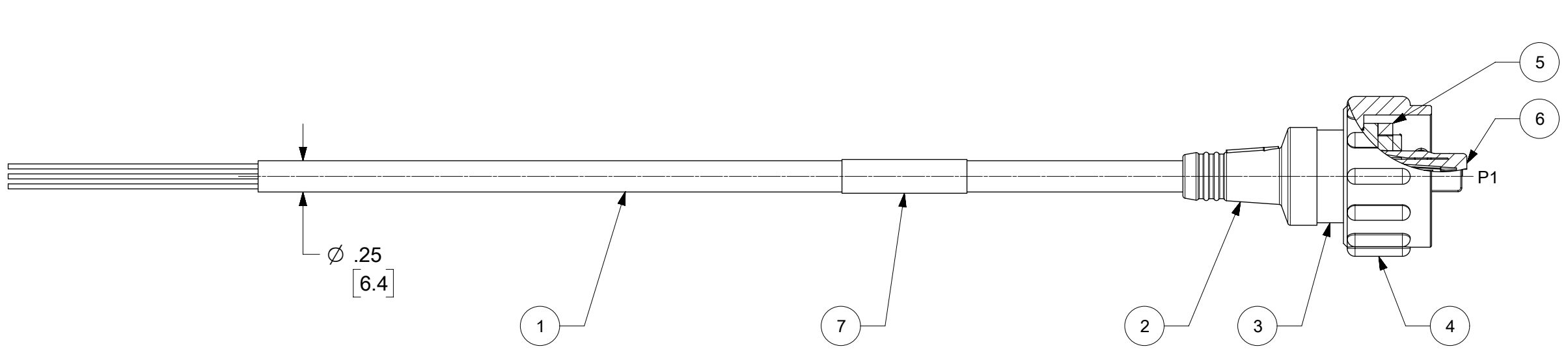
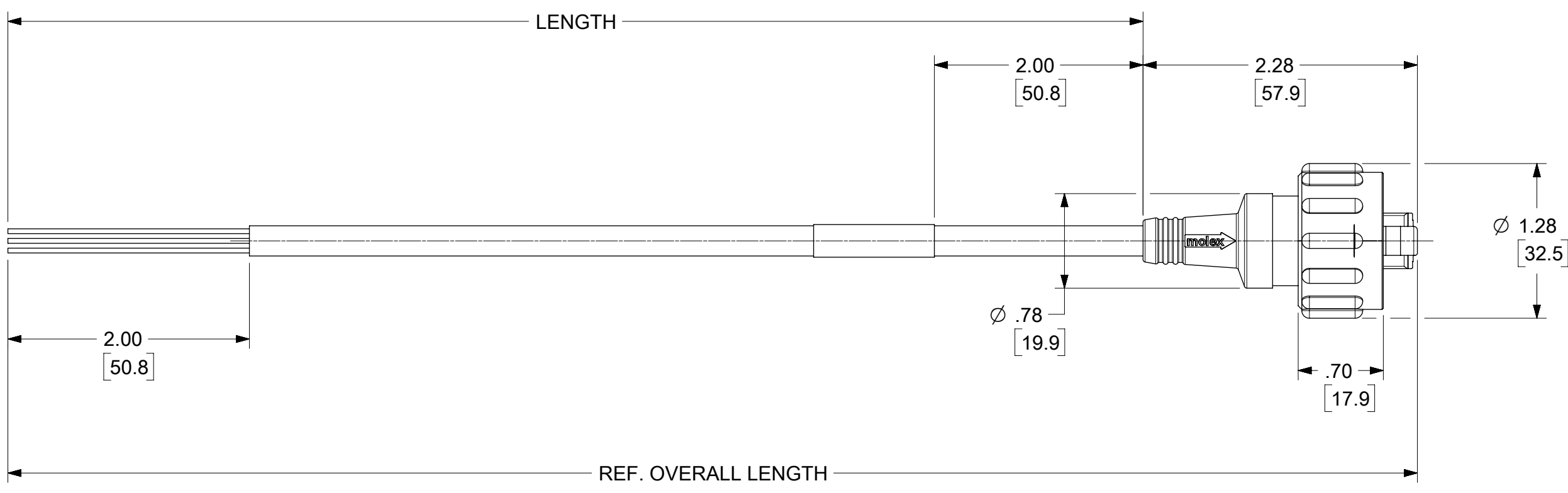
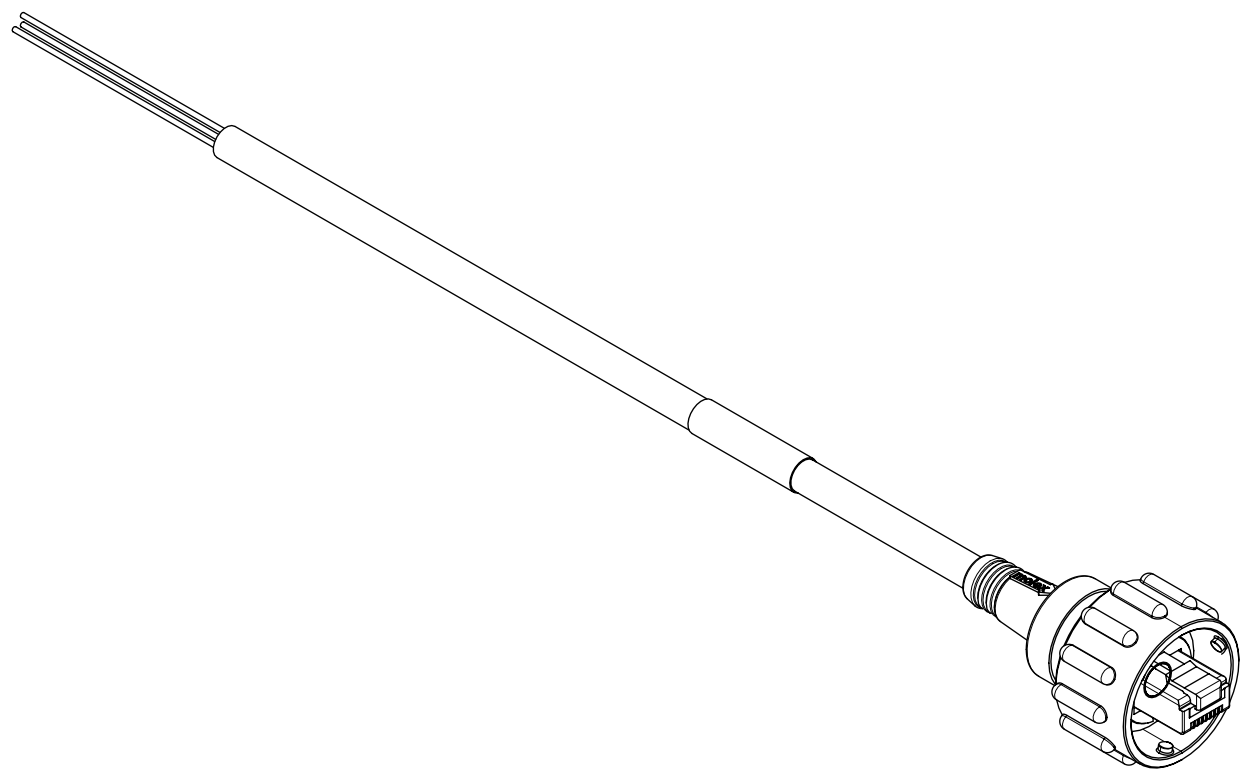
1.8 - 3.7M [6 - 12FT]: +88.9mm-0 [+3.50in-0]

3.7 - 7.3M [12 - 24FT]: +165.1mm-0 [+6.50in-0]

7.3-14.6M [24 - 48FT]: +317.5mm-0 [+12.50in-0]

14.6 - 30.5M [48-100FT]: +622.3mm-0 [+24.50in-0]

OVER 30M [100FT] +2% OF FINISHED LENGTH



RJ45 FACE VIEW
SCALE: 2X

- (M) NOTES:
1. MATERIAL: AS NOTED
 2. FINISH: AS NOTED
 3. ELECTRICAL:
VOLTAGE: 125V
CURRENT: 1.5A
 4. TEMP RATING: -20°C TO +80°C
 5. PROTECTION: IP67 (WHEN MATED)
 6. MATES WITH STANDARD & BAYONET STYLE RJ-45 JACK ASSEMBLIES.
 7. ASSEMBLY IS ROHS COMPLIANT
 8. ALL DIMS ARE FOR REFERENCE UNLESS TOLERANCED OR NOTED OTHERWISE

P1

WHITE-ORANGE	1
ORANGE	2
WHITE-GREEN	3
BLUE	4
WHITE-BLUE	5
GREEN	6
WHITE-BROWN	7
BROWN	8

WIRE DIAGRAM
(TIA/EIA 568B)

ITEM	DESCRIPTION	MATERIAL	DESCRIPTION
7	WRAP LABEL	VINYL	BLACK/YELLOW
6	RJ-45 PLUG, SHIELDED	PER VENDOR SPEC	GOLD PL. CONTACTS
5	GASKET SEAL	NITRILE	BLACK
4	RJ-45 COUPLING RING	PBT	BLACK
3	RJ-45 HOLDER	PBT	BLACK
2	OVERMOLD BODY	(M) TPC	BLACK
1	#24-4 PAIR ENET CBL CAT 6	PVC JACKET	GRAY

THIS DRAWING CONTAINS INFORMATION THAT IS PROPRIETARY TO MOLEX ELECTRONIC TECHNOLOGIES, LLC AND SHOULD NOT BE USED WITHOUT WRITTEN PERMISSION

DIMENSION UNITS	SCALE	CURRENT REV DESC: REMOVED OBSOLETE PART NUMBER AS PER PCN#509987.
INCH/MM	1:1	
GENERAL TOLERANCES (UNLESS SPECIFIED)		
4 PLACES	±	EC NO: 693623
3 PLACES	±	DRWN: SANTHN 2021/09/16
2 PLACES	±	CHK'D: GGA 2022/03/30
1 PLACE	±	APPR: GGA 2022/03/30
0 PLACES	±	INITIAL REVISION:
ANGULAR TOL	± °	DRWN: SBULLERWELL 2003/11/19
DRAFT WHERE APPLICABLE MUST REMAIN WITHIN DIMENSIONS		APPR: PWALTZ 2003/11/20
THIRD ANGLE PROJECTION		DRAWING SERIES
C-SIZE		84702
MATERIAL NUMBER		CUSTOMER
SEE MAT NO CHART		GENERAL MARKET
DOCUMENT NUMBER		DOC TYPE DOC PART REVISION
SD-84702-003		PSD 001 M2
SHEET NUMBER		1 OF 1