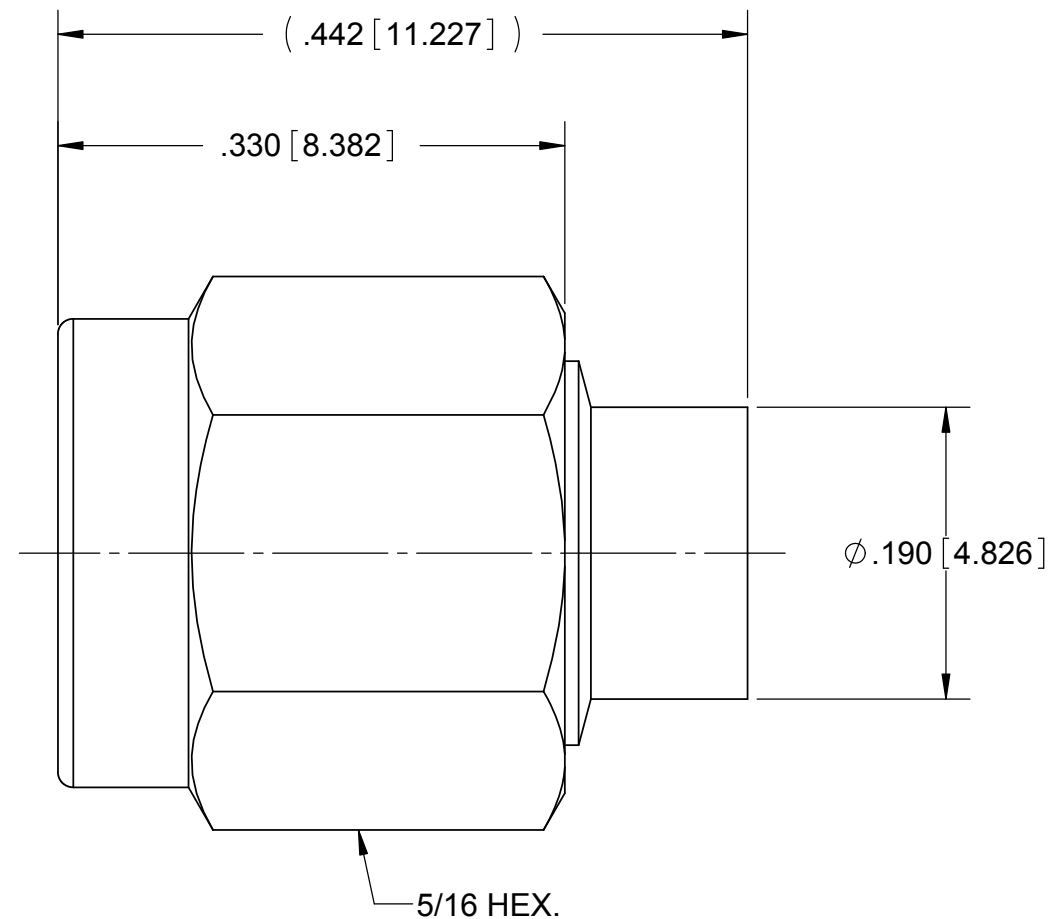
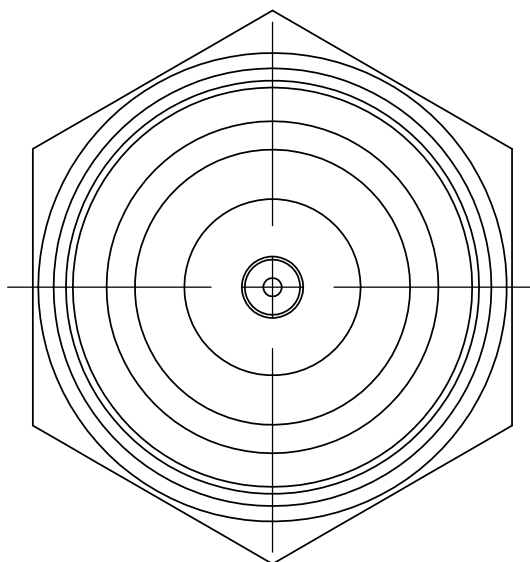
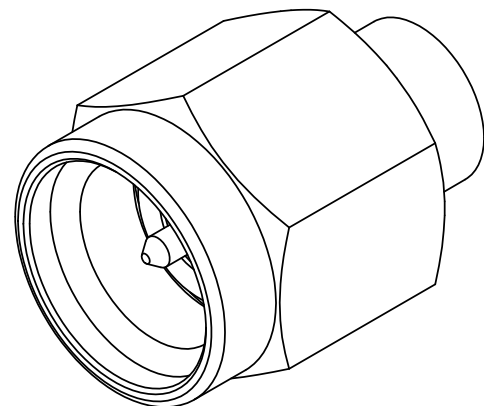


# PRODUCT DATA DRAWING

| REVISION HISTORY |                |       |          |
|------------------|----------------|-------|----------|
| REV              | DESCRIPTION    | DATE  | APPROVED |
| B                | REL. DCN 32900 | 03/05 | BRT      |
| C                | DCN 41517      | 07/15 | STW      |



**MATERIAL:**

BODY & COUPLING NUT: STAINLESS STEEL  
 LOCK RING: BERYLLIUM COPPER  
 CONTACT: BRASS  
 INSULATOR: PTFE  
 GASKET: SILICONE RUBBER

**FINISH:**

COUPLING NUT: PASSIVATED  
 BODY & CONTACT: GOLD OVER NICKEL

**PERFORMANCE:**

IMPEDANCE: 50 OHMS  
 FREQ. RANGE: DC TO 18.0 GHZ.

|   |  |  |  |
|---|--|--|--|
| MATERIAL: SEE ABOVE   | DIMENSIONS ARE IN INCHES TOLERANCES:<br>FRACTIONAL: ±1/64 ANGULAR: X° ±1'0"<br>X°X' ±15' | UNLESS OTHERWISE SPECIFIED<br>1) ALL DIMENSIONS ARE AFTER PLATING.<br>2) BREAK CORNERS & EDGES .005 R. MAX.<br>3) CHAM. 1ST & LAST THREADS.<br>4) SURFACE ROUGHNESS 63 S MIL-STD-10.<br>5) DIA. S ON COMMON CENTERS TO BE CONCENTRIC WITHIN .005 T.I.R.<br>6) REMOVE ALL BURRS | <br>2400 Centrepark West Drive, Suite 100<br>West Palm Beach, FL 33409<br>TITLE: SMA STRAIGHT PLUG FOR Ø.085 CABLE |
| FINISH: SEE ABOVE   | DECIMAL: X ±.030<br>.XX ±.010<br>.XXX ±.005  | INTERPRET DIMENSIONS AND TOLERANCES PER ASME Y14.5M - 1994   |  |
| SURFACE AREA: N/A   | THIRD ANGLE PROJECTION   | DRAWN: JI 08/20/93   | SIZE: B CAGE CODE: 95077 DWG. NO.: SF2906-6002   |
| PROPRIETARY<br>THE INFORMATION CONTAINED IN THIS DRAWING IS THE SOLE PROPERTY OF SV MICROWAVE, INC. ANY REPRODUCTION IN PART OR AS A WHOLE WITHOUT THE WRITTEN PERMISSION OF SV MICROWAVE, INC IS PROHIBITED. |  | CHECKED: DWC 08/23/93  | SCALE: 4:1   |
|   |  | APPROVED: DWC 08/23/93   | SHEET 1 OF 1   |