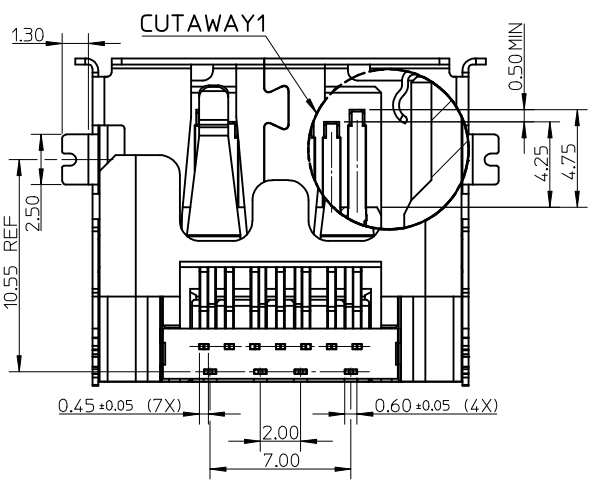
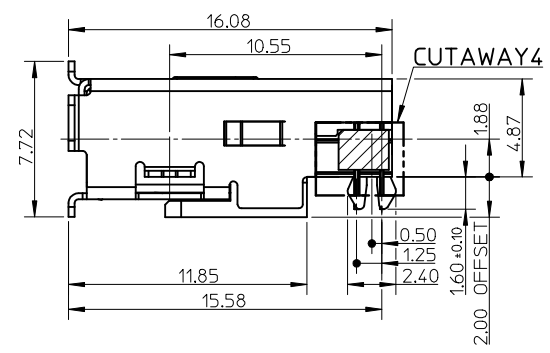
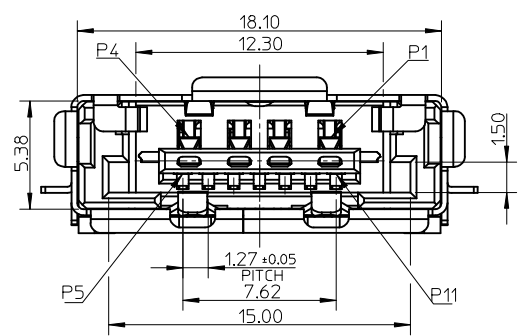


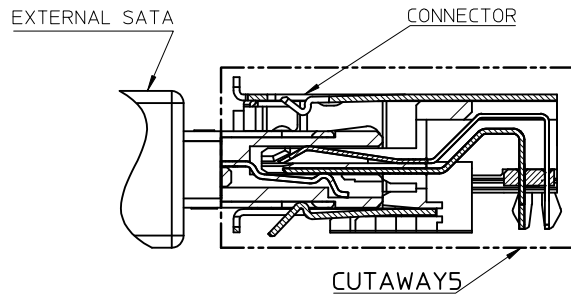
- NOTES:
- MATERIAL:
HOUSING: HIGH TEMPERATURE THERMOPLASTIC, 30% GLASS FILLED, BLACK, UL94V-0.
TERMINAL-1: COPPER ALLOY.
TERMINAL-2: COPPER ALLOY.
METAL SHELL: COPPER ALLOY.
 - TERMINAL PLATING:
CONTACT AREA: GOLD PLATING.
SOLDER AREA: TIN PLATING, 2.0 MICROMETERS MINIMUM.
UNDER PLATING: NICKEL PLATING, 2.0 MICROMETERS MINIMUM.
 - MATAL SHELL PLATING: SOLDERABLE NICKEL PLATING.
 - PRODUCT SPECIFICATION: PS-47403-001.
 - PACKAGE SPECIFICATION: PK-47403-008.
 - PRODUCT COMPLIANT TO RoSH DIRECTIVE 2002/95/EC AND ELV DIRECTIVE 2000/53/EC.



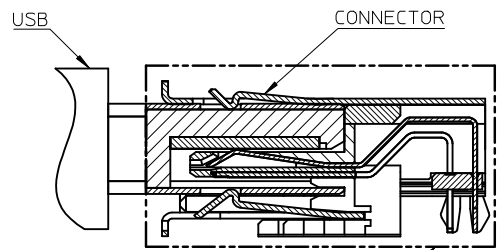
P/N	GOLD PLATING SPEC
47403-8000	GOLD FLASH
47403-8001	15u" MINIMUM
47403-8002	30u" MINIMUM

NEW RELEASE EC NO: SH2009-0550 DRWN: XZZHANG 2009/02/18 CHKD: XJ SONG 2009/02/18 APPR: HWANG 2009/03/25	QUALITY SYMBOLS ▽=0 ◻=0	GENERAL TOLERANCES (UNLESS SPECIFIED)		DIMENSION STYLE MM ONLY	SCALE 1:1	DESIGN UNITS METRIC	THIRD ANGLE PROJECTION		
		4 PLACES ± --- ± --- 3 PLACES ± --- ± --- 2 PLACES ± 0.25 ± --- 1 PLACE ± 0.25 ± ---	mm INCH ± --- ± --- ± 0.25 ± --- ± 0.25 ± ---	DRAWN BY HZHA006	DATE 2007/12/18	TITLE SALES DRAWING FOR COMBO OF EXTERNAL SATA AND USB REVERSE TYPE			
		ANGULAR ± 3 °		CHECKED BY JTIAN	DATE 2007/12/18	APPROVED BY HWANG			
		DRAFT WHERE APPLICABLE MUST REMAIN WITHIN DIMENSIONS		MATERIAL NO. SEE CHART	DATE 2007/12/18	MOLEX INCORPORATED		DOCUMENT NO. SD-47403-800	SHEET NO. 1 OF 2

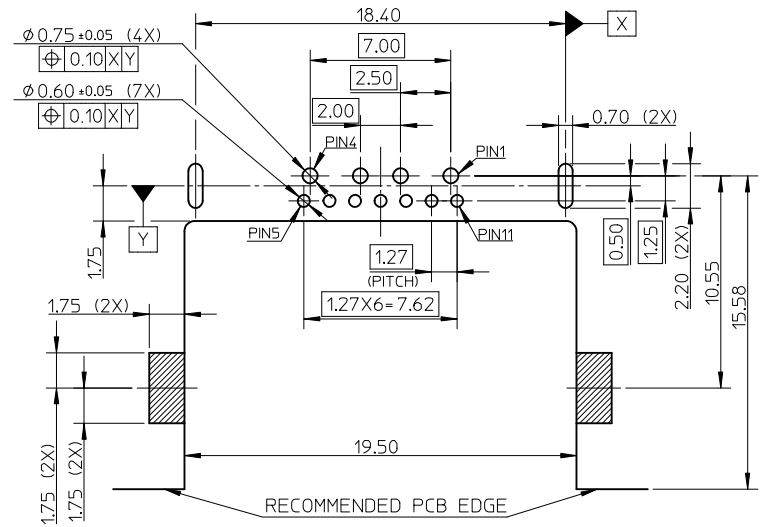
THIS DRAWING CONTAINS INFORMATION THAT IS PROPRIETARY TO MOLEX INCORPORATED AND SHOULD NOT BE USED WITHOUT WRITTEN PERMISSION



MATING WITH EXTERNAL SATA



MATING WITH USB



RECOMMENDED PCB LAYOUT T=1.2MM
CONNECTOR SIDE; TOLERANCE: +/-0.05

PIN ASSIGNMENT

USB		I/O SATA	
NAME	TYPE	NAME	TYPE
P1	VBUS	P5	GND
P2	D-	P6	A+
P3	D+	P7	A-
P4	GND	P8	GND
		P9	B-
		P10	B+
		P11	GND

NEW RELEASE
EC NO: SH2009-0550
DRWN: QZHUANG 2009/02/18
CHKD: XJISONG 2009/07/18
APPR: HWANG 2009/03/25

QUALITY SYMBOLS
 = 0
 = 0

GENERAL TOLERANCES (UNLESS SPECIFIED)

	mm	INCH
4 PLACES	± ---	± ---
3 PLACES	± ---	± ---
2 PLACES	± 0.25	± ---
1 PLACE	± 0.25	± ---

ANGULAR ± 3 °

DRAFT WHERE APPLICABLE
MUST REMAIN WITHIN DIMENSIONS

DIMENSION STYLE
MM ONLY

DRAWN BY: HZHA006
DATE: 2007/12/18

CHECKED BY: JTIAN
DATE: 2007/12/18

APPROVED BY: HWANG
DATE: 2007/12/18

MATERIAL NO.
SEE SHEET 1

SCALE: 1:1
DESIGN UNITS: METRIC
THIRD ANGLE PROJECTION

TITLE: **SALES DRAWING FOR COMBO OF EXTERNAL SATA AND USB REVERSE TYPE**

MOLEX INCORPORATED

DOCUMENT NO.: SD-47403-800
SHEET NO.: 2 OF 2

THIS DRAWING CONTAINS INFORMATION THAT IS PROPRIETARY TO MOLEX INCORPORATED AND SHOULD NOT BE USED WITHOUT WRITTEN PERMISSION