



## 3A Non-isolated SMT Point of Load



Features	Benefits
• Fully Optimised Control Loop with Excellent Transient Response	• No External Loop Tuning Components Needed
• DOSA Compatible Footprint	• Ideal for Second Sourcing
• LGA or EPC Format	• Choice of Layout

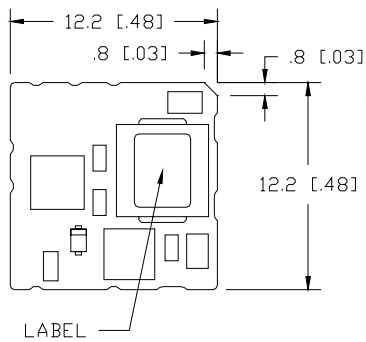
Specification		
Model	iCF	
DC Output Voltage	V	0.7 - 5.5
DC Input Voltage	V	4.5 - 14
Efficiency	%	85 - 93.5 (1.2Vout to 5Vout)
Output Voltage Tolerance	%	±3
Switching Frequency	kHz	600
Line Regulation	mV	3
Load Regulation	mV	6
Preload	-	none
Output Ripple and Noise	mVpp	15
Overcurrent Protection	A	Hiccup Type
Remote On / Off	-	yes
Remote Sense	-	yes
Power Good Signal	-	yes
Operating Temperature	°C	-40°C to 115°C (see thermal data on website)
Storage Temperature	°C	-55°C to 125°C
Safety Agency Approvals	-	IEC/UL/CSA/EN62368-1, 60950-1, CE Mark
Weight	g	1.5g
Size (LxWxH)	mm	12.2 x 12.2 x 4.45
Warranty	yrs	3

## Model Selector

Model	Input Voltage (V)	Output Current (A)	Output Voltage (V)	Positive Logic On/Off	Negative Logic On/Off	Sequencing	LGA Solder Bumping
iCF12003A007V-007-R	4.5-14	3	0.70-5.5	-	yes	-	yes*

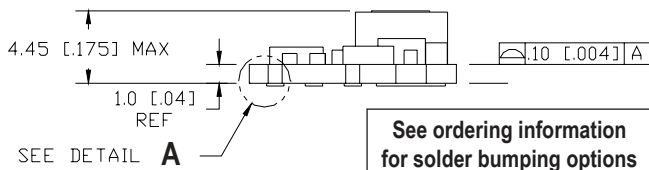
\*For EPC solder bumping specify -003-R model suffix

## Outline Drawing iCF Series



All Dimensions are in mm. (in).

Unless otherwise specified tolerances are:  $xx \pm 0.5\text{mm}$  (0.02),  $xxx \pm 0.25\text{mm}$  (0.10)

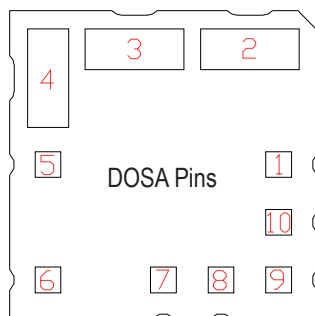


See ordering information for solder bumping options

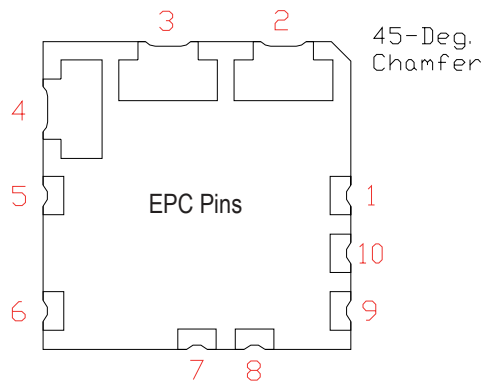
.00 - .23 REF  
[.000 - .009]  
SOLDER PLATING  
THICKNESS ON  
LAND GRID ARRAY  
10 PLACES

DETAIL A

Pin location bottom view



45-Deg. Chamfer



45-Deg. Chamfer

## Pin Assignment

PIN	Function	PIN	Function
1	ON/OFF	6	TRIM
2	VIN	7	GND
3	GND	8	No Connection
4	VOUT	9	No Connection
5	SENSE	10	PWR GOOD



## TDK-Lambda France SAS

Tel: +33 1 60 12 71 65  
tlf.fr.powersolutions@tdk.com  
www.emea.lambda.tdk.com/fr



## Italy Sales Office

Tel: +39 02 61 29 38 63  
tlf.it.powersolutions@tdk.com  
www.emea.lambda.tdk.com/it



## Netherlands

tlf.nl.powersolutions@tdk.com  
www.emea.lambda.tdk.com/nl



## TDK-Lambda Germany GmbH

Tel: +49 7841 666 0  
tlg.powersolutions@tdk.com  
www.emea.lambda.tdk.com/de



## Austria Sales Office

Tel: +43 2256 655 84  
tlg.at.powersolutions@tdk.com  
www.emea.lambda.tdk.com/at



## Switzerland Sales Office

Tel: +41 44 850 53 53  
tlg.ch.powersolutions@tdk.com  
www.emea.lambda.tdk.com/ch



## Nordic Sales Office

Tel: +45 8853 8086  
tlg.dk.powersolutions@tdk.com  
www.emea.lambda.tdk.com/dk



## TDK-Lambda UK Ltd.

Tel: +44 (0) 12 71 85 66 66  
tlu.powersolutions@tdk.com  
www.emea.lambda.tdk.com/uk



## TDK-Lambda Ltd.

Tel: +9 723 902 4333  
tli.powersolutions@tdk.com  
www.emea.lambda.tdk.com/il-en



## TDK-Lambda Americas

Tel: +1 800-LAMBDA-4 or 1-800-526-2324  
tla.powersolutions@tdk.com  
www.us.lambda.tdk.com



## TDK Electronics do Brasil Ltda

Tel: +55 11 3289-9599  
sales.br@tdk-electronics.tdk.com  
www.tdk-electronics.tdk.com/en



## TDK-Lambda Corporation

Tel: +81-3-6778-1113  
www.jp.lambda.tdk.com



## TDK-Lambda (China) Electronics Co. Ltd.

Tel: +86 21 6485-0777  
tlc.powersolutions@tdk.com  
www.lambda.tdk.com.cn



## TDK-Lambda Singapore Pte Ltd.

Tel: +65 6251 7211  
tfs.marketing@tdk.com  
www.sg.lambda.tdk.com



## TDK India Private Limited, Power Supply Division

Tel: +91 80 4039-0660  
mathew.philip@tdk.com  
www.sg.lambda.tdk.com

