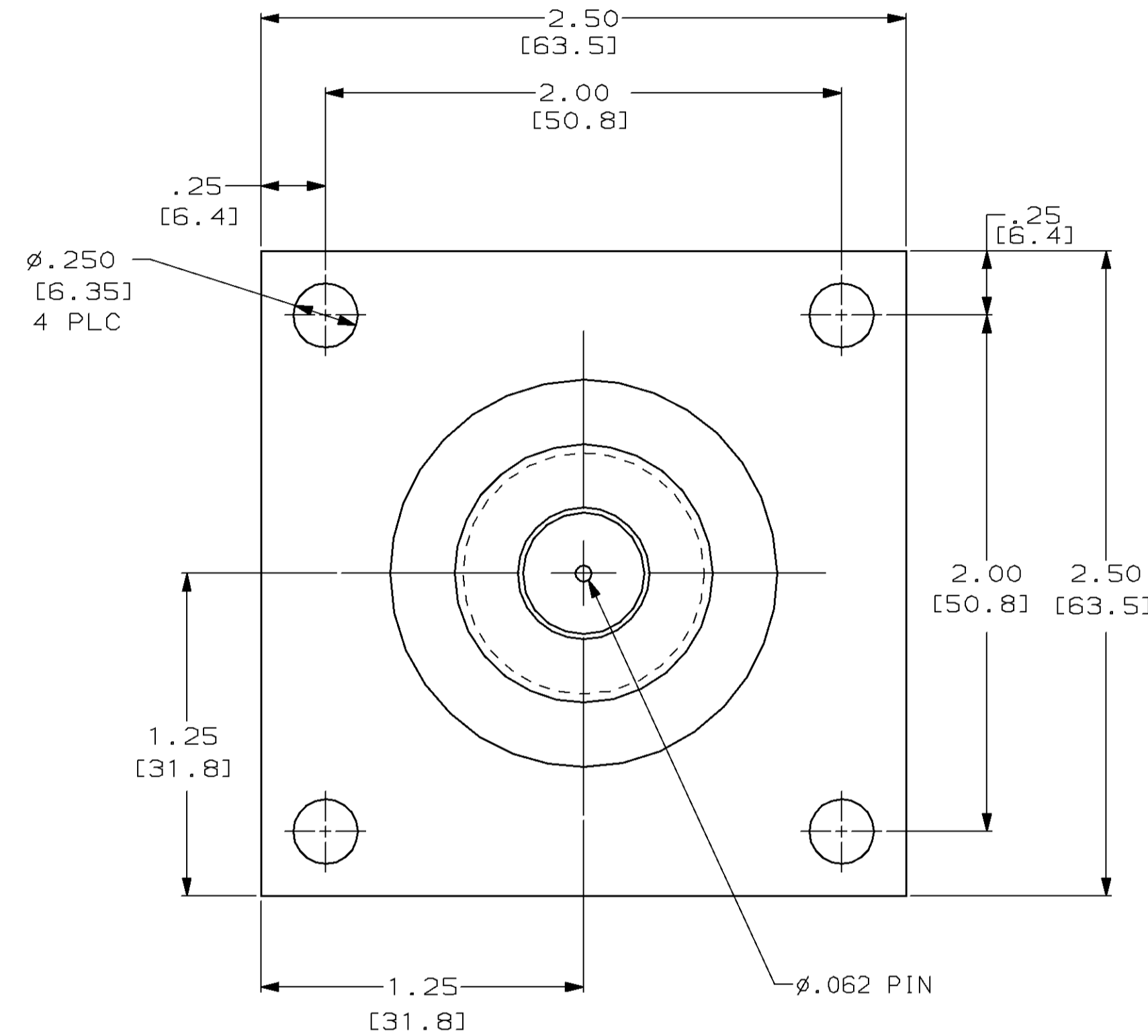
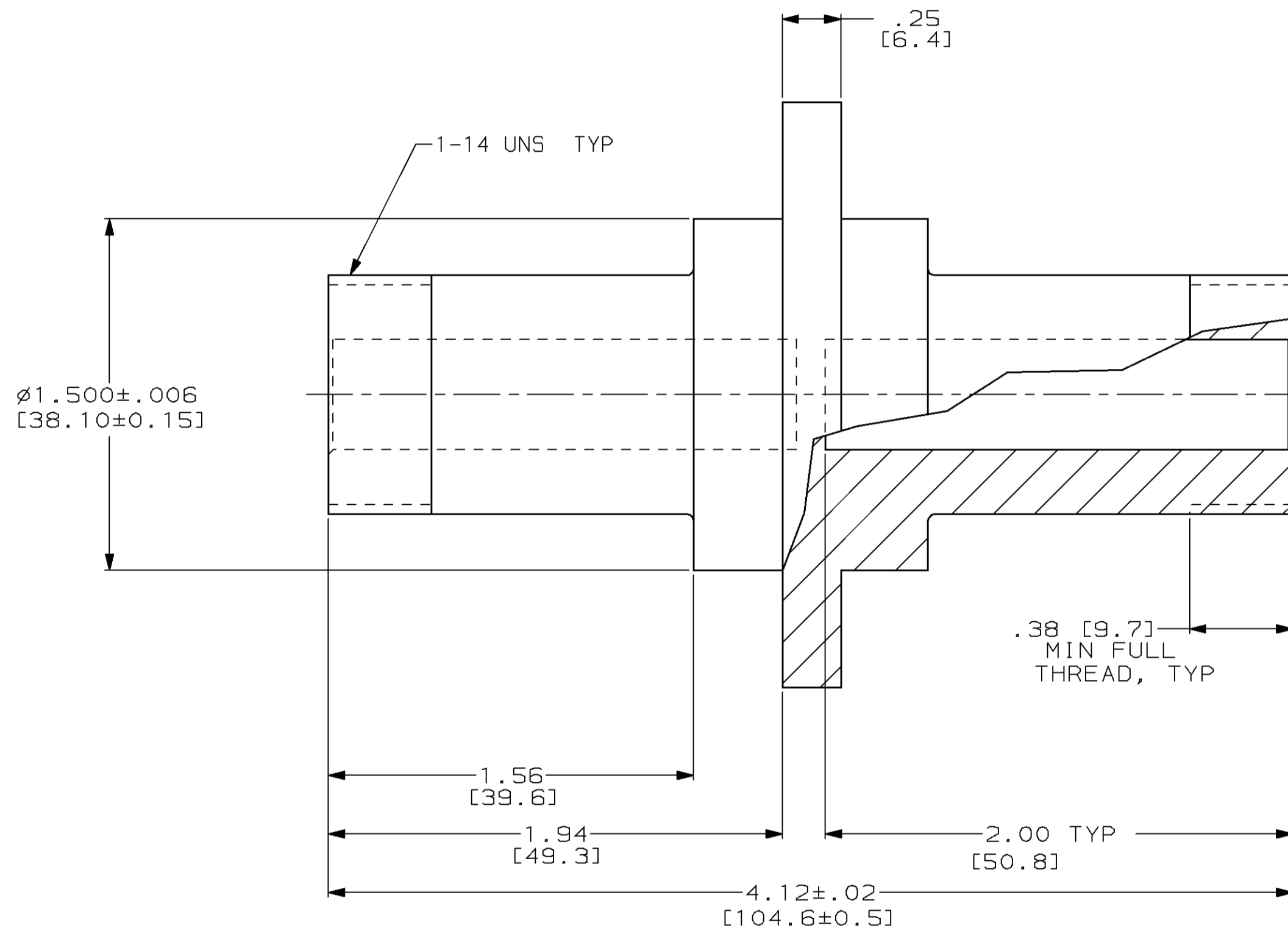


THIS DRAWING IS UNPUBLISHED. RELEASED FOR PUBLICATION  
 © COPYRIGHT 19 BY AMP INCORPORATED. ALL RIGHTS RESERVED.

Loc		DIST		REVISIONS			
P	LTR	DESCRIPTION		DATE	DWN	APVD	
G		REV & REDRAWN; 0600-5822-96		10-96	CT	SG	



1. MARKED PER MIL-STD-130.
2. RECEPTACLE TO MATE WITH AMP LGH-4 LEAD ASSEMBLY, AVAILABLE SEPARATELY.

840468-1  
PART NO.

THIS DRAWING IS A CONTROLLED DOCUMENT.		DWN C.C. THOMAS 10-30-96	AMP Incorporated Harrisburg, PA 17105-3608	
DIMENSIONS: INCHES [mm]		CHK S. GLATFELTER 10-31-96	NAME CONNECTOR ASSY, FEED-THRU FOR BULKHEAD APPLICATIONS, LGH-4	
TOLERANCES UNLESS OTHERWISE SPECIFIED:		APVD S. GLATFELTER 10-31-96	PRODUCT SPEC	
0 PLC ±-		APPLICATION SPEC		
1 PLC ±-		WEIGHT		
2 PLC ±.01 [0.3]		SCALE 2:1		
3 PLC ±.005 [0.13]		SHEET 1 OF 1		
4 PLC ±-		REV G		
ANGLES ±-		CUSTOMER DRAWING		
FINISH -		SIZE A2 CAGE CODE 00779 DRAWING NO. 840468 RESTRICTED TO		