

4

3

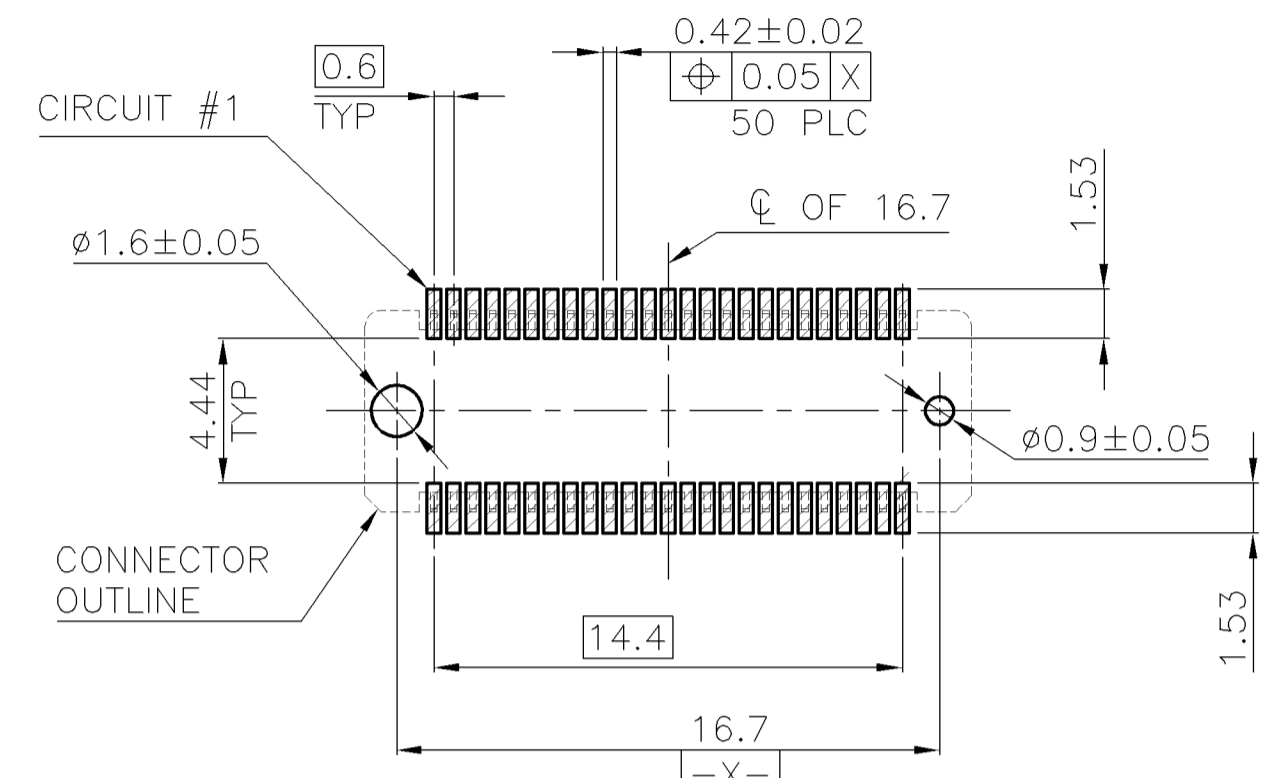
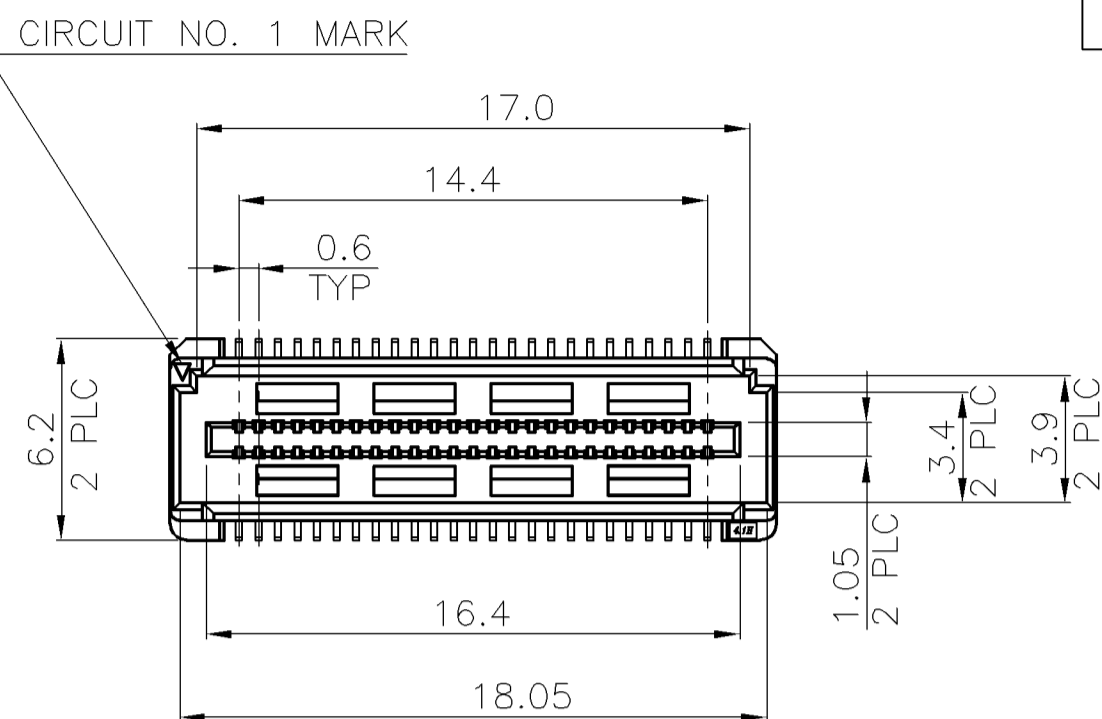
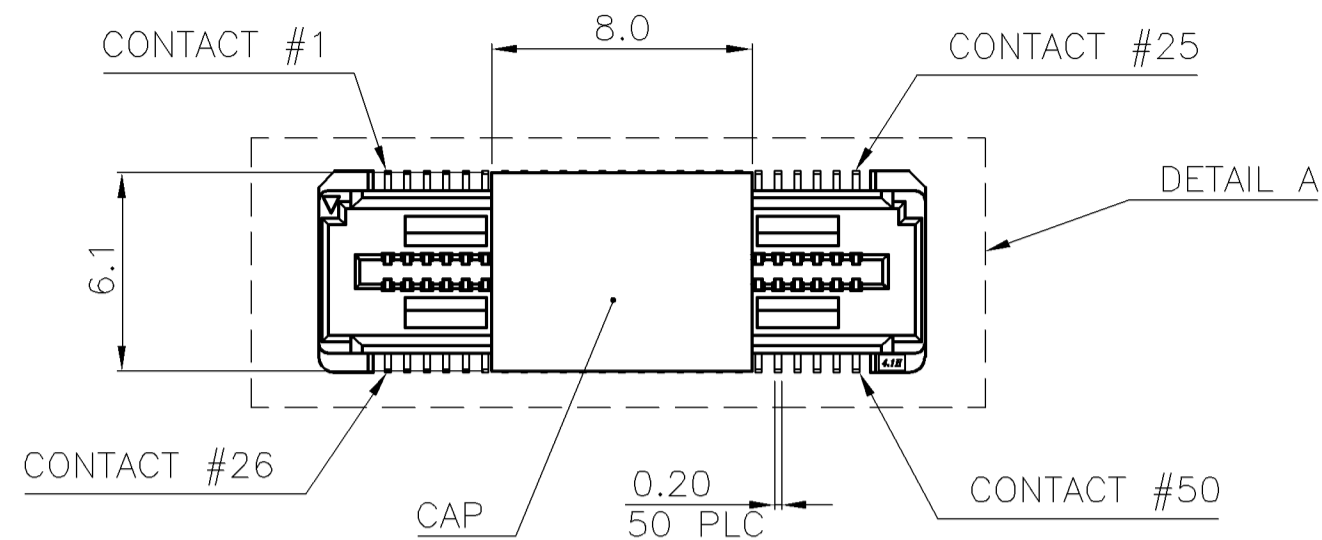
2

1

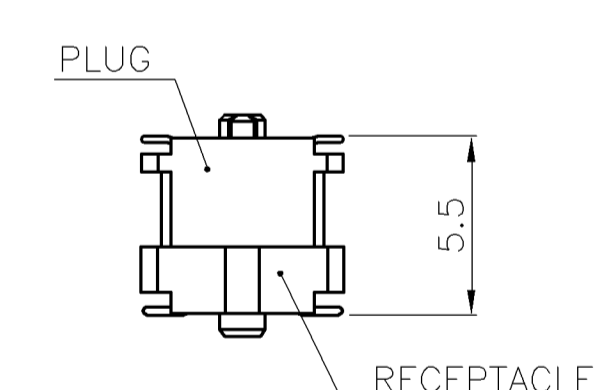
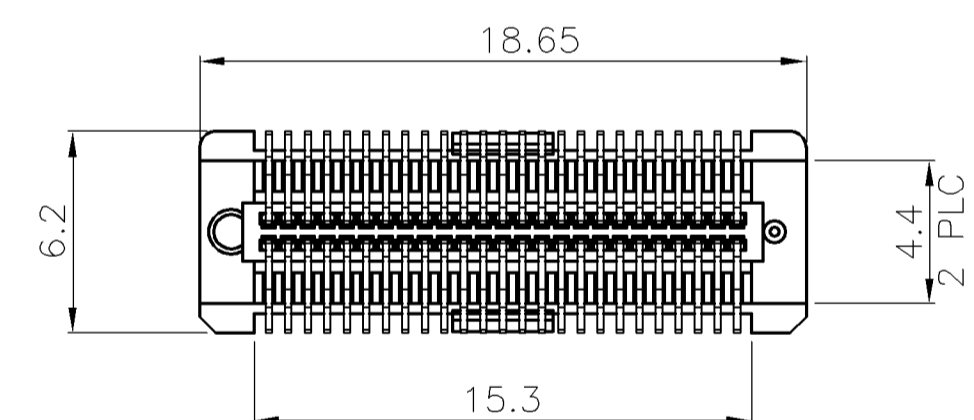
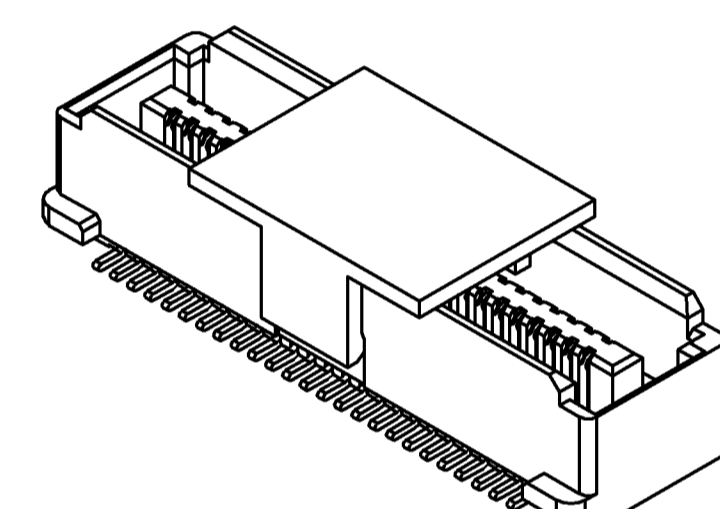
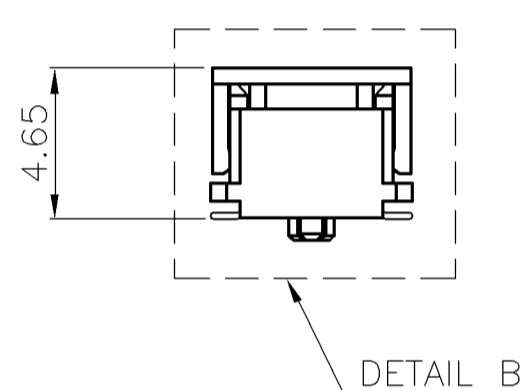
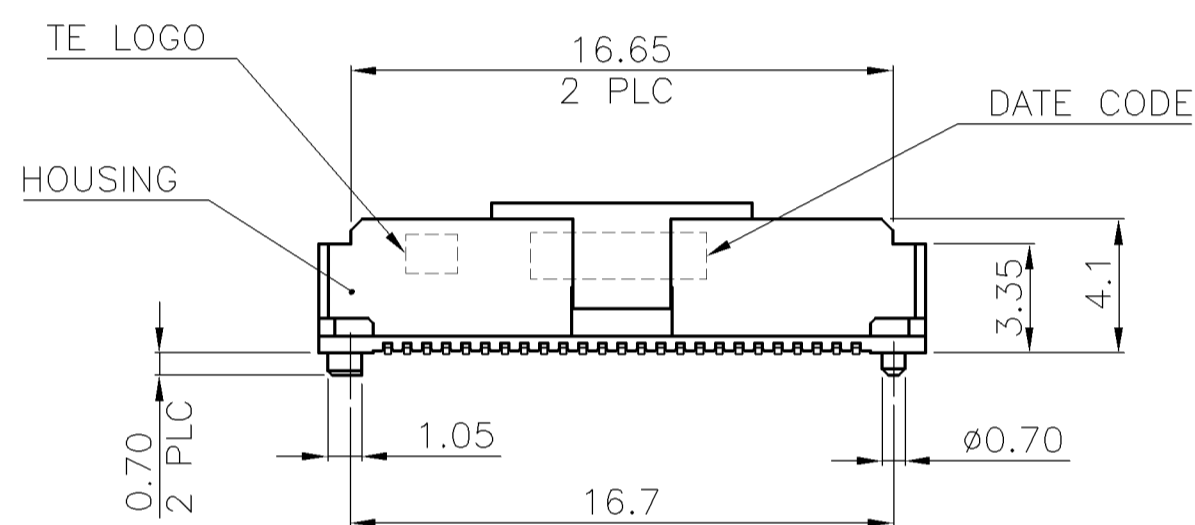
THIS DRAWING IS UNPUBLISHED. RELEASED FOR PUBLICATION

© COPYRIGHT BY TYCO ELECTRONICS CORPORATION. ALL RIGHTS RESERVED.

LOC	DIST	REVISIONS					
DW	—	P	LTR	DESCRIPTION	DATE	DWN	APVD
		C		ECR-09-010047	04MAY09	AW	WK

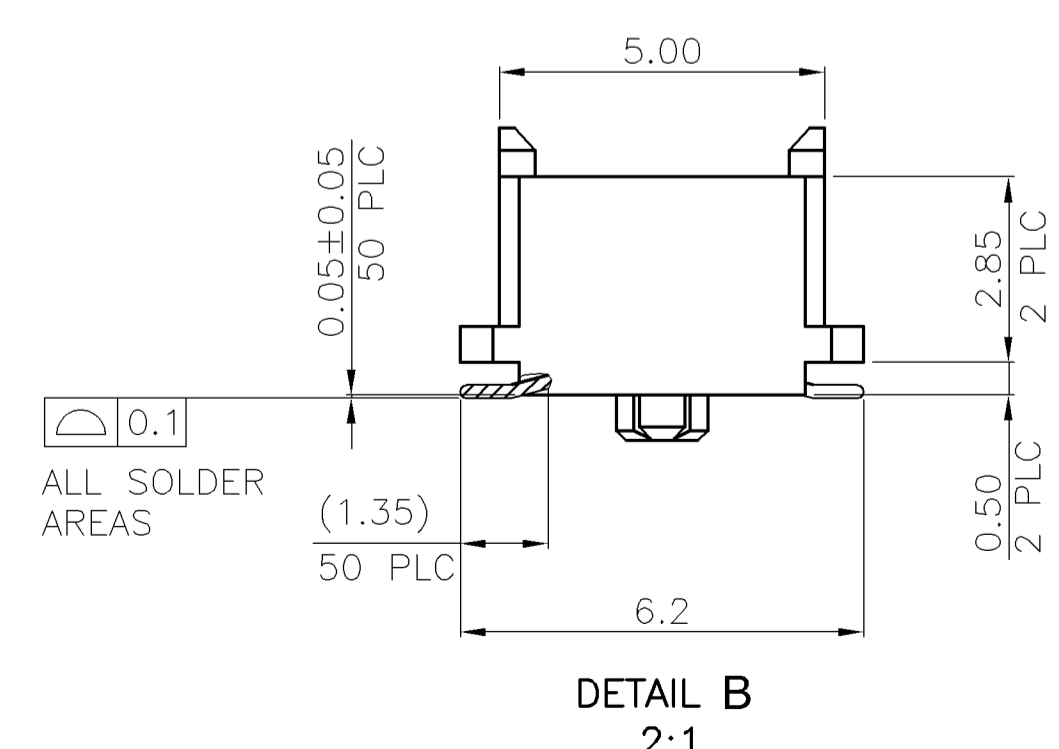


TOLERANCE: ±0.05  
RECOMMENDED PCB LAYOUT  
(TOP VIEW)



MATING HEIGHT

- NOTES:
- MATERIAL:  
HOUSING: LCP WITH 35% GF, UL 94V-0, NATURAL COLOR.  
CAP: LCP WITH 35% GF, UL 94V-0, NATURAL COLOR.  
CONTACTS: PHOSPHOR BRONZE.
  - FINISH:  
CONTACTS: GOLD FLASH PLATED ON CONTACT AREA, 3.05μm [120μ"] MIN. MATTE-TIN ON SOLDER TAIL, WITH ENTIRE CONTACT UNDERPLATED 1.27μm [50μ"] MIN. NICKEL.
  - REFLOW SOLDER CAPABLE TO 260°C PER TEC-109-201, CONDITION B.
  - MATING RECEPTACLE PART NUMBER: 1759899-1.

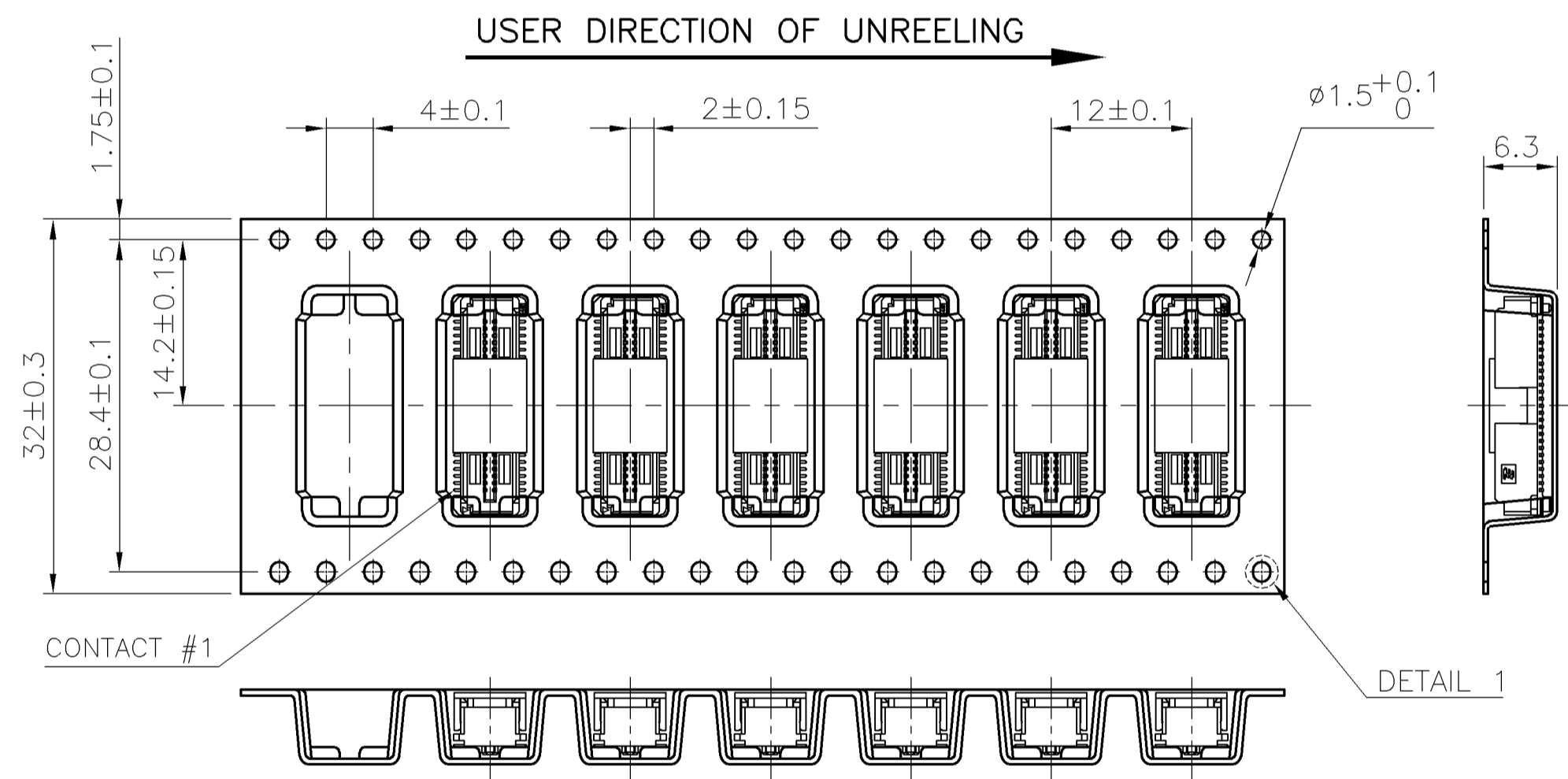
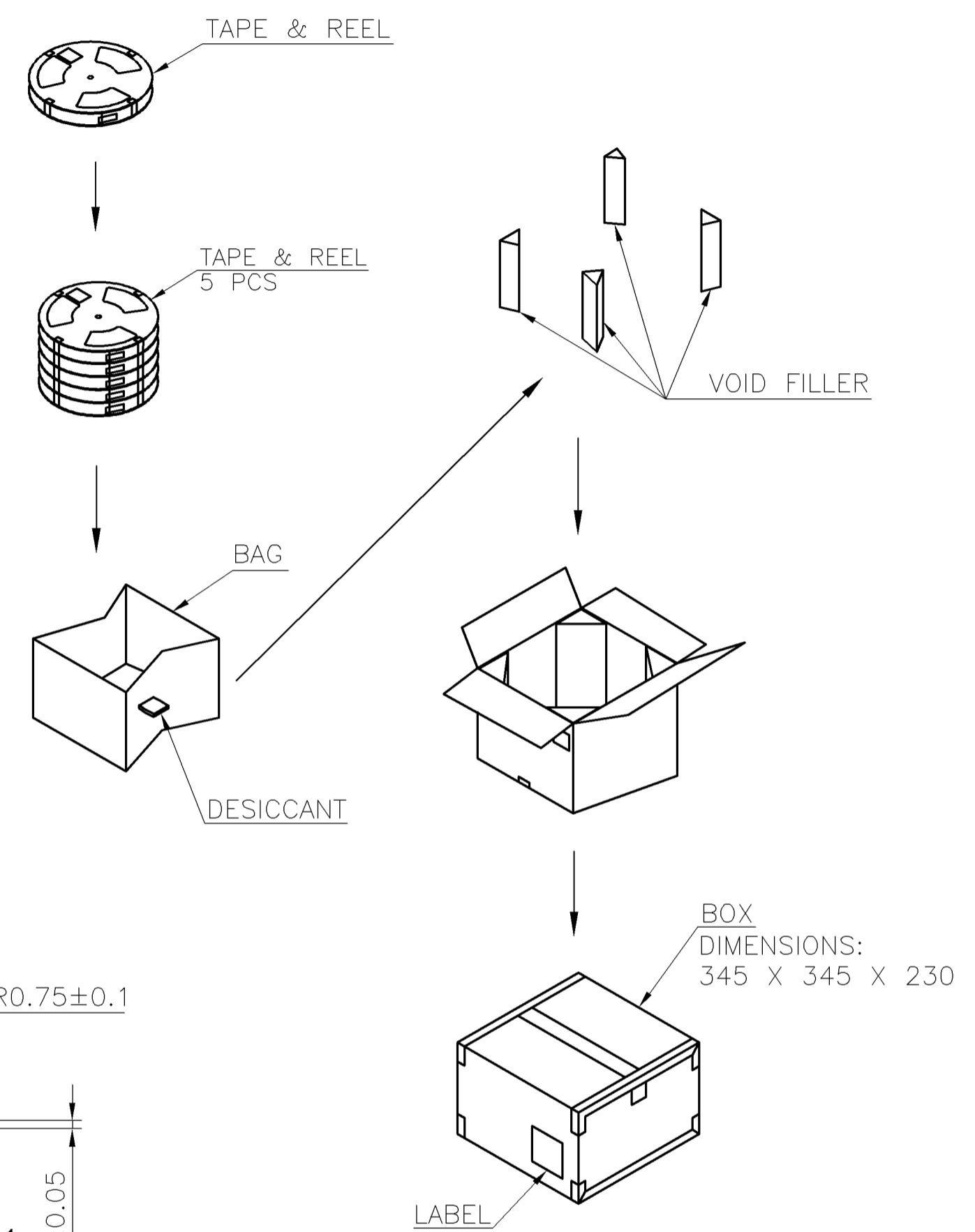
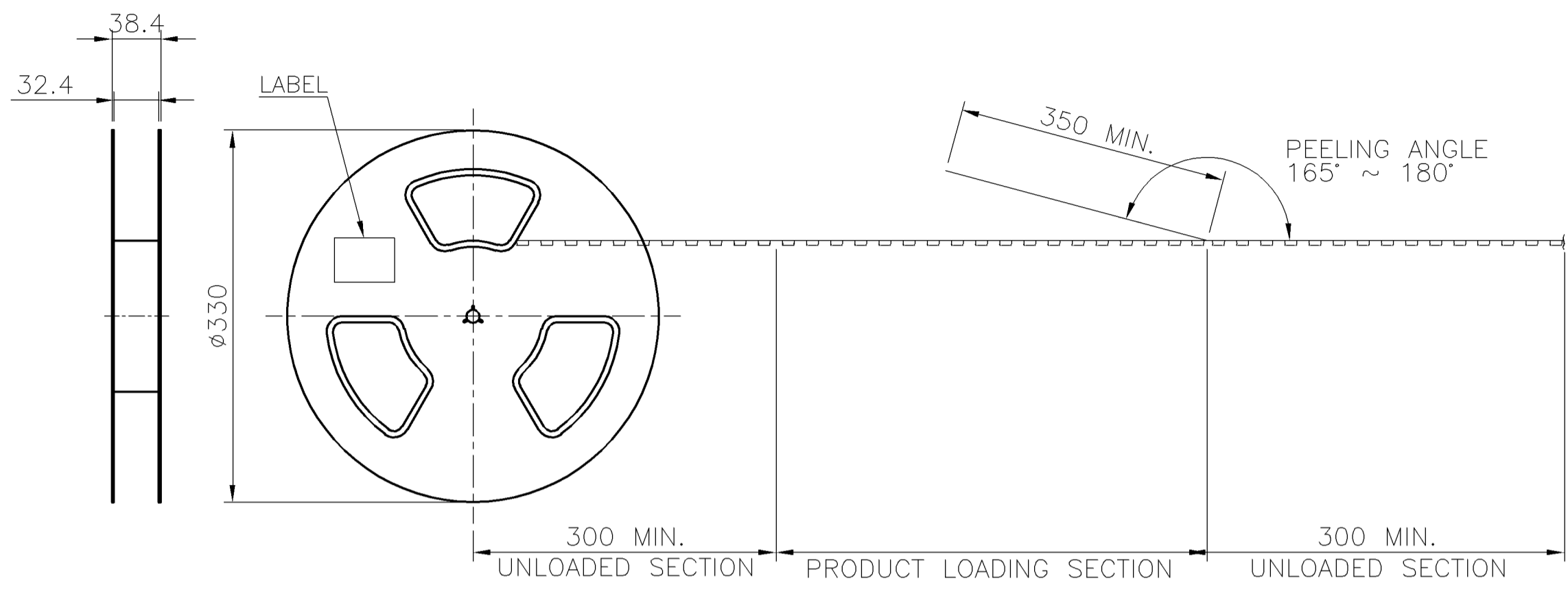


1759898-1
PART NUMBER

THIS DRAWING IS A CONTROLLED DOCUMENT.		DWN A. WU 04MAY2009	Tyco Electronics Corporation Taipei, Taiwan	
DIMENSIONS: MM	TOLERANCES UNLESS OTHERWISE SPECIFIED: 0 PLC ± 0.5 1 PLC ± 0.3 2 PLC ± 0.2 3 PLC ± 0.15 4 PLC ± - ANGLES ± 3°	CHK S. CHIEN 04MAY2009	NAME	
		APVD W. KODAMA 04MAY2009	108-57761	
MATERIAL SEE NOTE	FINISH SEE NOTE	PRODUCT SPEC 108-57761	APPLICATION SPEC	RESTRICTED TO
		WEIGHT 0.450 GRAMS	SIZE A3	CAGE CODE 00779
		DRAWING NO C-1759898		REV C
		CUSTOMER DRAWING		SCALE —
		SHEET 1 OF 2		REV C

THIS DRAWING IS UNPUBLISHED. RELEASED FOR PUBLICATION  
 © COPYRIGHT BY TYCO ELECTRONICS CORPORATION. ALL RIGHTS RESERVED.

LOC	DIST	REVISIONS					
DW	—	P	LTR	DESCRIPTION	DATE	DWN	APVD
				SEE SHEET 1.			



- NOTES:
- MATERIAL:  
 BOX: FIBREBOARD, CORRUGATED, DOUBLE WALL.  
 COVER TAPE: POLYSTYRENES, 120°C HEAT-RESISTANT TEMPERATURE, TRANSPARENT COLOR.  
 CARRIER TAPE: POLYSTYRENES, 120°C HEAT-RESISTANT TEMPERATURE, TRANSPARENT COLOR.  
 REEL: HIPS, 70°C HEAT-RESISTANT TEMPERATURE, BLUE COLOR.  
 BAG: POLYETHYLENES, 100°C HEAT-RESISTANT TEMPERATURE, TRANSPARENT COLOR.
  - EACH BAG SHALL BE INCLUDED DESICCANT.
  - PEELING STRENGTH: 0.1 ~ 1.3 N (10 ~ 130 GRAMS).
  - PEELING SPEED: 300 mm/min.

1000	5	5000 PCS	4.7 KG	2.25 KG
PCS/TAPE	REELS/BOX	QUANTITY	GROSS WEIGHT	NET WEIGHT

THIS DRAWING IS A CONTROLLED DOCUMENT.		DWN A. WU 04MAY2009	Tyco Electronics Corporation Taipei, Taiwan																	
DIMENSIONS: MM		CHK S. CHIEN 04MAY2009																		
TOLERANCES UNLESS OTHERWISE SPECIFIED:		APVD W. KODAMA 04MAY2009	NAME 0.6 MM PITCH BOARD TO BOARD CONNECTOR, 50 POSITION, PLUG, MATING HEIGHT 5.5 MM.																	
<table border="1"> <tr><td>0 PLC</td><td>± -</td></tr> <tr><td>1 PLC</td><td>± -</td></tr> <tr><td>2 PLC</td><td>± -</td></tr> <tr><td>3 PLC</td><td>± -</td></tr> <tr><td>4 PLC</td><td>± -</td></tr> <tr><td>ANGLES</td><td>± -</td></tr> <tr><td>FINISH</td><td>± -</td></tr> </table>		0 PLC	± -	1 PLC	± -	2 PLC	± -	3 PLC	± -	4 PLC	± -	ANGLES	± -	FINISH	± -	PRODUCT SPEC	SIZE	CAGE CODE	DRAWING NO	RESTRICTED TO
0 PLC	± -																			
1 PLC	± -																			
2 PLC	± -																			
3 PLC	± -																			
4 PLC	± -																			
ANGLES	± -																			
FINISH	± -																			
MATERIAL		APPLICATION SPEC	A3	00779	G=1759898	—														
MATERIAL		WEIGHT	CUSTOMER DRAWING		SCALE	SHEET 2 OF 2	REV C													