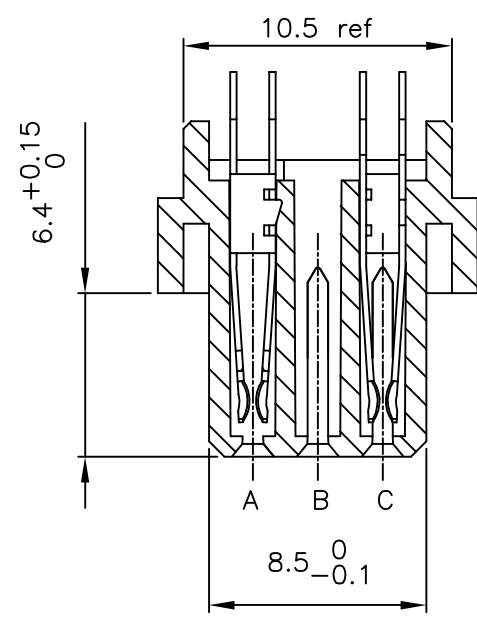
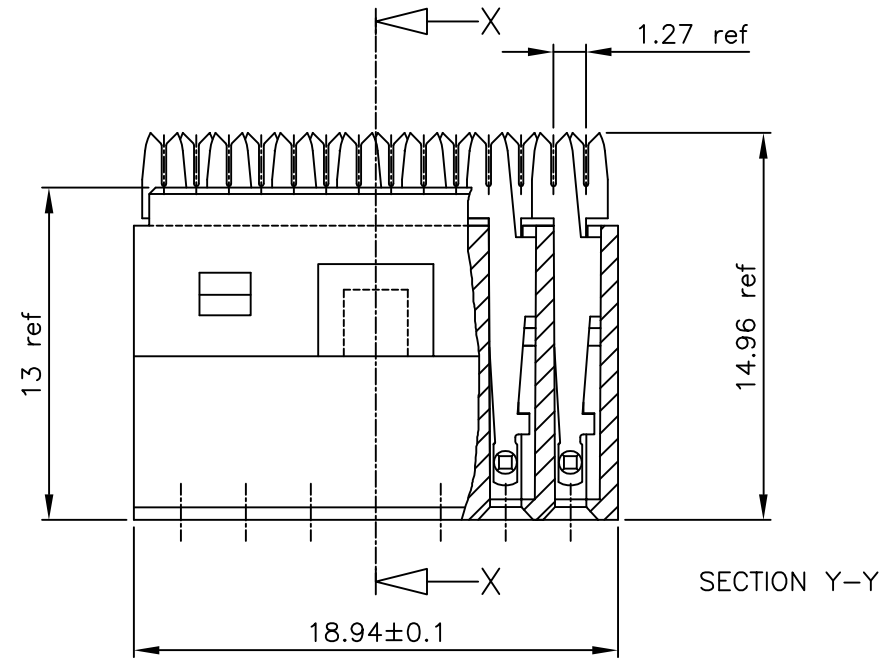
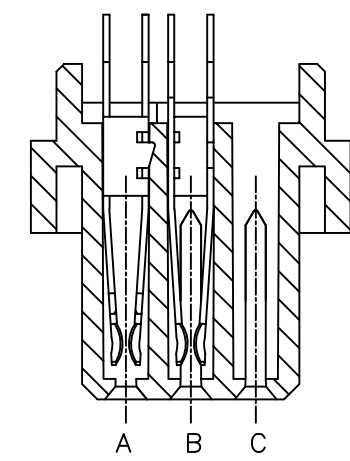
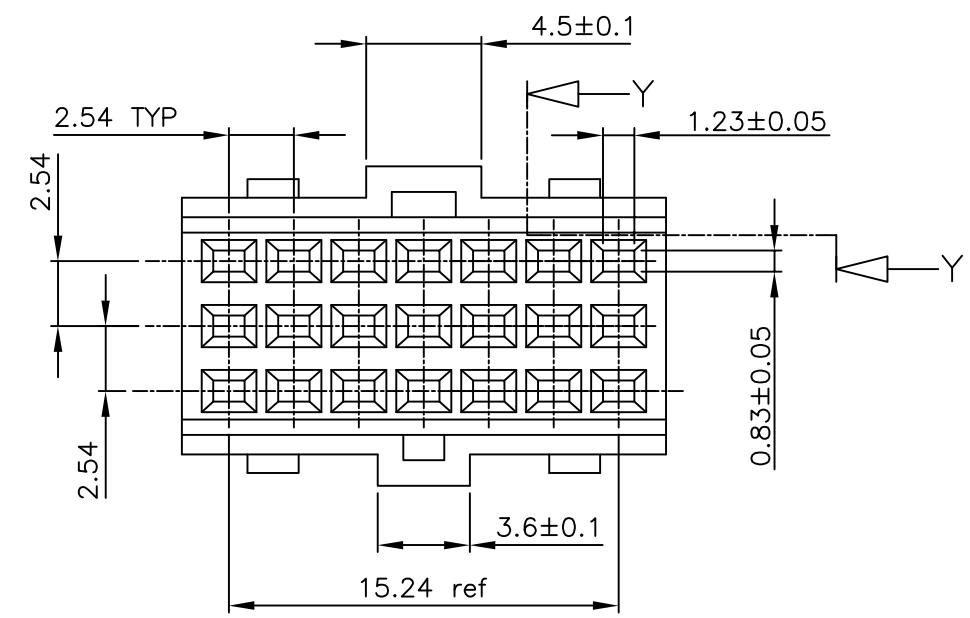


PRODUCT NUMBER	Number of Terminals	AWG	ROW	X=pos terminal						
				1	2	3	4	5	6	7
75948-X01	2 x 7	28 Str. / 30 Sol.	c	X	X	X	X	X	X	X
			b							
			a	X	X	X	X	X	X	X
75948-X02	2 x 7	28 Str. / 30 Sol.	c							
			b	X	X	X	X	X	X	X
			a	X	X	X	X	X	X	X



SECTION X-X
ACCORDING TO 75948-X01



SECTION X-X
ACCORDING TO 75948-X02

NOTE:-
 1. THE "LF" PRODUCTS MEET EUROPEAN UNION DIRECTIVES AND OTHER COUNTRY REGULATIONS AS DESCRIBED IN GS-22-008.
 2. LEAD FREE OR RoHS DIRECTIVE LABELLING TO BE PROVIDED AS PER GS-14-920 FOR LEAD FREE VERSION.

NOTES:
 1.MATERIAL HOUSING: POLYESTER 30% GLASS FILLED COLOUR GREY, FLAME RETARDANT PER UL-94-V0
 2.MATERIAL CONTACT: PHOSPHOR BRONZE
 3.FOR CABLE APPLICATION SEE TA 310
 4."LF" SUFFIX TO THE PRODUCT NUMBER FOR LEAD FREE OR RoHS COMPATIBLE PRODUCTS.

PRODUCT CODE YZ	PLATING CONTACT AREA	PLATING PIERCING AREA
75948-4YY	2.0 um Au min over 3.0 um Ni	0.1-0.2 um Ni
75948-2YY	0.5 um Au min over 3.0 um Ni	0.1-0.2 um Ni
75948-1YY	1.0 um Au min over 3.0 um Ni	0.1-0.2 um Ni
75948-0YY	3.0 um Au min over 3.0 um Ni	0.1-0.2 um Ni

mat'l. code	surface	tolerance	projection	product family
see notes	ISO 1302	ISO 406	ISO 101	CableConnector
ltr	ecn no	dr	date	title
E	H00085	MVI	1990-02-23	assembly 2x7 pos.
F	H20166	MVI	1992-03-31	
G	05-0138	MINI	2005-08-08	
H	06-0082	MINI	2006-06-01	
		dr	M. Visschers	1992-03-20
		enr		
		chr	RAKHEE GEORGE	2006-06-01
		app	RAKHEE GEORGE	2006-06-01
sheet index	revision sheet	H		type
	1			CUSTOMER Drawing



Copyright FCJ