

CUSTOMER DRAWING

CATALOG # GA310

ECN #	APPRVD.	DATE

SAFETY ORGANIZATIONS

THE CONNECTOR USED IN THIS ASSEMBLY HAS RECEIVED RECOGNITION, CERTIFICATION AND APPROVAL IN FILES INDICATED BY THE FOLLOWING AGENCIES:

UL: E29179
 CSA: LR19980
 TUV: R9151436

OPERATING SPECIFICATIONS

LINE CURRENT/VOLTAGE: 15 AMP, 125 VDC,

LINE FREQUENCY: N/A

MAXIMUM LEAKAGE CURRENT, N/A
 EACH LINE TO GROUND:

OPERATING AMBIENT TEMP. RANGE: -10°C TO +40°C @ RATED CURRENT, I_r.

IN AN AMBIENT, T₀, HIGHER THAN 55°C, THE MAXIMUM OPERATING CURRENT, I₀, IS AS FOLLOWS:

$$I_0 = I_r \sqrt{\frac{100 - T_0}{45}}$$

RELIABILITY SPECIFICATIONS:

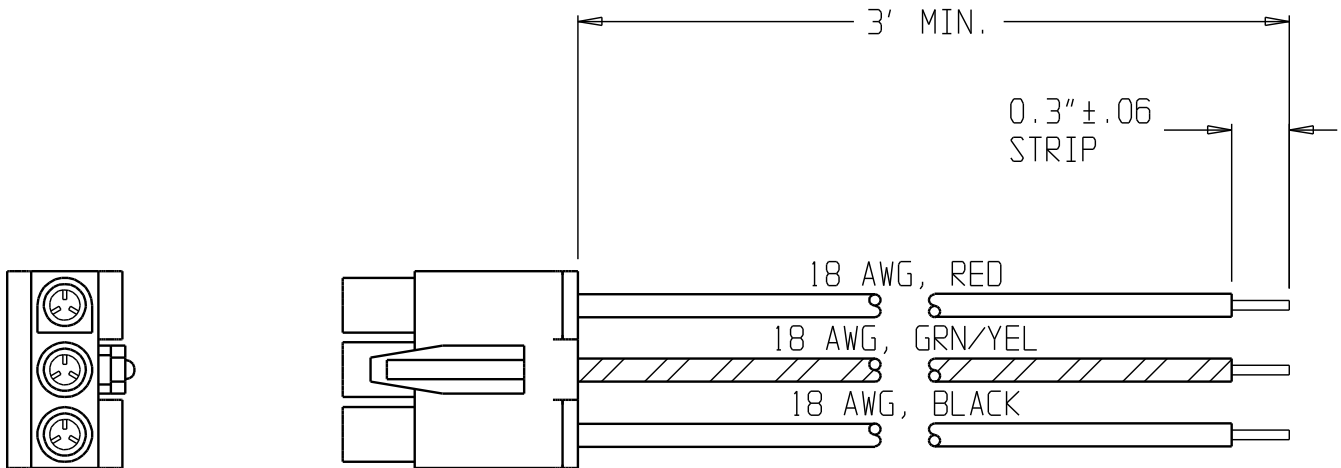
STORAGE TEMPERATURE: -40°C TO +85°C
 HUMIDITY: 21 DAYS @ 40°C 95% RH.
 CURRENT OVERLOAD TEST: 6 TIMES I_r FOR 8 SECONDS

TEST SPECIFICATIONS:

INDUCTANCE: XXXX mH NOMINAL
 CAPACITANCE: (MEASURED @ 1KHz, 0.250VAC MAX., 25°C±1°C)
 LINE TO GROUND: X.XXXX μF ±20%
 LINE TO LINE: X.XXXX μF ±20%
 DISCHARGE RESISTOR: X.XM Ω
 L/G AND L/L I.R.
 NO DISCHARGE RESISTOR: 6000M Ω (MIN.) @ 100VDC, 20°C AND 50% RH

FILTER APPROVAL:

THE BEST WAY TO SELECT AND QUALIFY A FILTER IS FOR YOUR ENGINEERING TO TEST THE UNIT IN YOUR EQUIPMENT.



50Ω- 50Ω(MINIMUM) INSERTION LOSS

FREQUENCY MHz	/	/	/	/	/	/	/	/	/	/
COMMON dB	/	/	/	/	/	/	/	/	/	/
DIFF. dB	/	/	/	/	/	/	/	/	/	/

THIRD ANGLE PROJECTION

UNLESS OTHERWISE SPECIFIED, TOLERANCE TO BE ±.025 MATERIAL & FINISH: AS SUPPLIED

THIS INFORMATION IS CONFIDENTIAL AND PROPRIETARY TO TYCO ELECTRONICS CORPORATION AND ITS WORLDWIDE SUBSIDIARIES AND AFFILIATES. IT MAY NOT BE DISCLOSED TO ANYONE OTHER THAN TYCO ELECTRONICS PERSONNEL WITHOUT WRITTEN AUTHORIZATION FROM TYCO ELECTRONICS CORPORATION. HARRISBURG, PENNSYLVANIA USA



CORCON PRODUCTS, 620 S. BUTTERFIELD RD. MUNDELEIN IL 60060

CONNECTOR ASSEMBLY

TYCO ELECTRONICS PART NO. 0-1609136-2		CATALOG NO.	REV.
SCALE: NTS	DATE: 30MAR04	GA310	0
DRW. BY: SD	DRG: ELC		