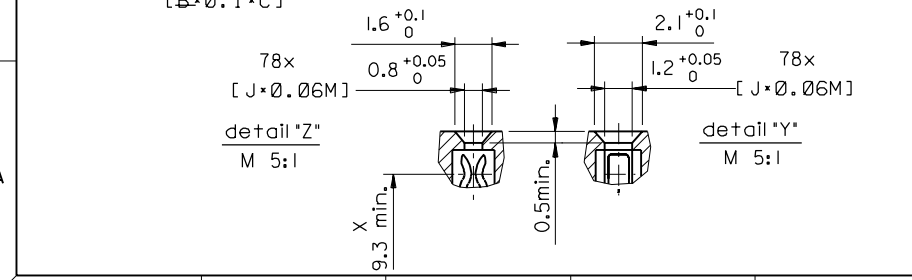
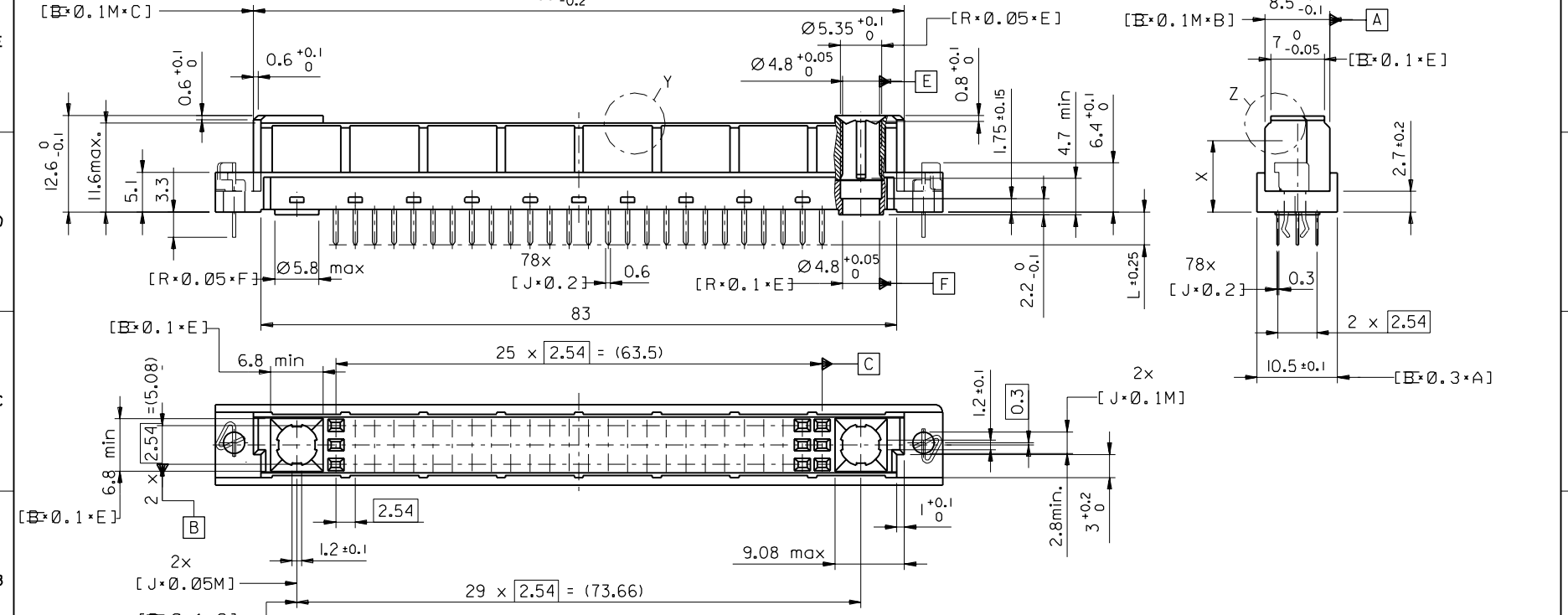


PART NO.
DWG. NO.



FIRST ANGLE PROJECTION		REVISE ONLY ON CAD SYSTEM		SH.	REV.
UNLESS OTHERWISE SPECIFIED TOLERANCES: ANGULAR ±2°		DRWG BY	SIGN	CAD/CAM PROJECT NAME	
3 PLACE ±		KN		85048000 611	
2 PLACE ±		CHK'D BY	SIGN	THIS DRAWING CONTAINS INFORMATION THAT IS PROPRIETARY TO MOLEX INC. & SHOULD NOT BE USED WITHOUT WRITTEN PERMISSION	
1 PLACE ±		Ca		TITLE	
DRAFT WHERE APPLICABLE MUST REMAIN WITHIN DIMENSIONS		APP'D BY	SIGN	78 pol. Federleiste 78 pos. female connector DIN 41612, style M	
DESIGN DIMENSION <input checked="" type="checkbox"/> MM		JB		MOLEX EUROPE	
EQUIVALENT DIMENSION <input type="checkbox"/> IN.		SCALE		SHEET NO. DATE	
IF TWO DIMENSIONS ARE SHOWN THE UPPER IS THE DESIGN DIMENSION, LOWER IS SECONDARY		2:1		1 OF 2 97/04/11	
ECN 2478 first release		PART NO.		DWG NO.	
LTR		SD-85048-0001		SIZE	
A		B		B	

VIEW ON MATING SIDE

U	A	A	A	A	A	A	A	A	A	A	A	A	A	A	A	A	A	A	A	A	A	A	A
Q	A	A	A	A	A	A	A	A	A	A	A	A	A	A	A	A	A	A	A	A	A	A	A
X	A	A	A	A	A	A	A	A	A	A	A	A	A	A	A	A	A	A	A	A	A	A	A

1 2 3 4 5 6 7 8 9 10 11 12 13 14 15 16 17 18 19 20 21 22 23 24 25 26 27 28 29 30 31 32 33 34 35 36 37 38 39 40 41 42 43 44 45 46 47 48 49 50 51 52 53 54 55 56 57 58 59 60 61 62 63 64 65 66 67 68 69 70 71 72 73 74 75 76 77 78

A = 78 STANDARD CONTACTS L=4,5

Marking	Standard
Performance level	G2/0 = Contact area level2 / Termination tin
Flux proof	no
Fixing clip	no
Dimensions	SD-85048-0001 sht.1
Technical Data	PS-85042-0001

A	G2/0	a4-29	b4-29	c4-29
Contact symbol	Perform. level	Contact position number		

ECN 2478	first release
LTR	FOR PREVIOUS REVISIONS SEE MRI LIST

UNLESS OTHERWISE SPECIFIED TOLERANCES: ANGULAR ± 2°	DRWG BY	KN	SIGN
INCH	CHK'D BY	Ca	SIGN
3 PLACE ± .	APP'D BY	JB	SIGN
2 PLACE ± .	SCALE		
1 PLACE ± .	DRAFT WHERE APPLICABLE MUST REMAIN WITHIN DIMENSIONS		
DESIGN DIMENSION	<input type="checkbox"/> MM <input type="checkbox"/> IN.		
EQUIVALENT DIMENSION	<input type="checkbox"/> MM <input type="checkbox"/> IN.		
IF TWO DIMENSIONS ARE SHOWN, THE UPPER IS THE DESIGN DIMENSION, LOWER IS SECONDARY			

REVISE ONLY ON CAD SYSTEM		SH. REV.
CAD/CAM PROJECT NAME	THIS DRAWING CONTAINS INFORMATION THAT IS PROPRIETARY TO MOLEX INC. & SHOULD NOT BE USED WITHOUT WRITTEN PERMISSION	
s8504801	s51	
TITLE		
78 pos. female connector acc. DIN 41612, style M contacts arrangement		
MOLEX EUROPE		SHEET NO. DATE
PART NO.		1 OF 1 97/05/20
85048-0153		DWG NO.
SD-85048-0153		SIZE
		A