

**MICRO SWITCH**  
a Honeywell Division

FED. MFG. CODE 91929

**SWITCH - BASIC**

CATALOG LISTING  
YZ-2RDS555116-D6-S

**AWP2768**

CATALOG LISTING  
YZ-2RDS555116-D6-S  
PAGE 1 OF 1  
REPLACES  
RELEASE NO. 201475

ISSUE  
**3**

CHECK

REVISIONS  
A 0001352 JAH 03AUG03  
B 0017586 TSG 09JAN06

RJ

CHECK

10 OCT 00

SAV

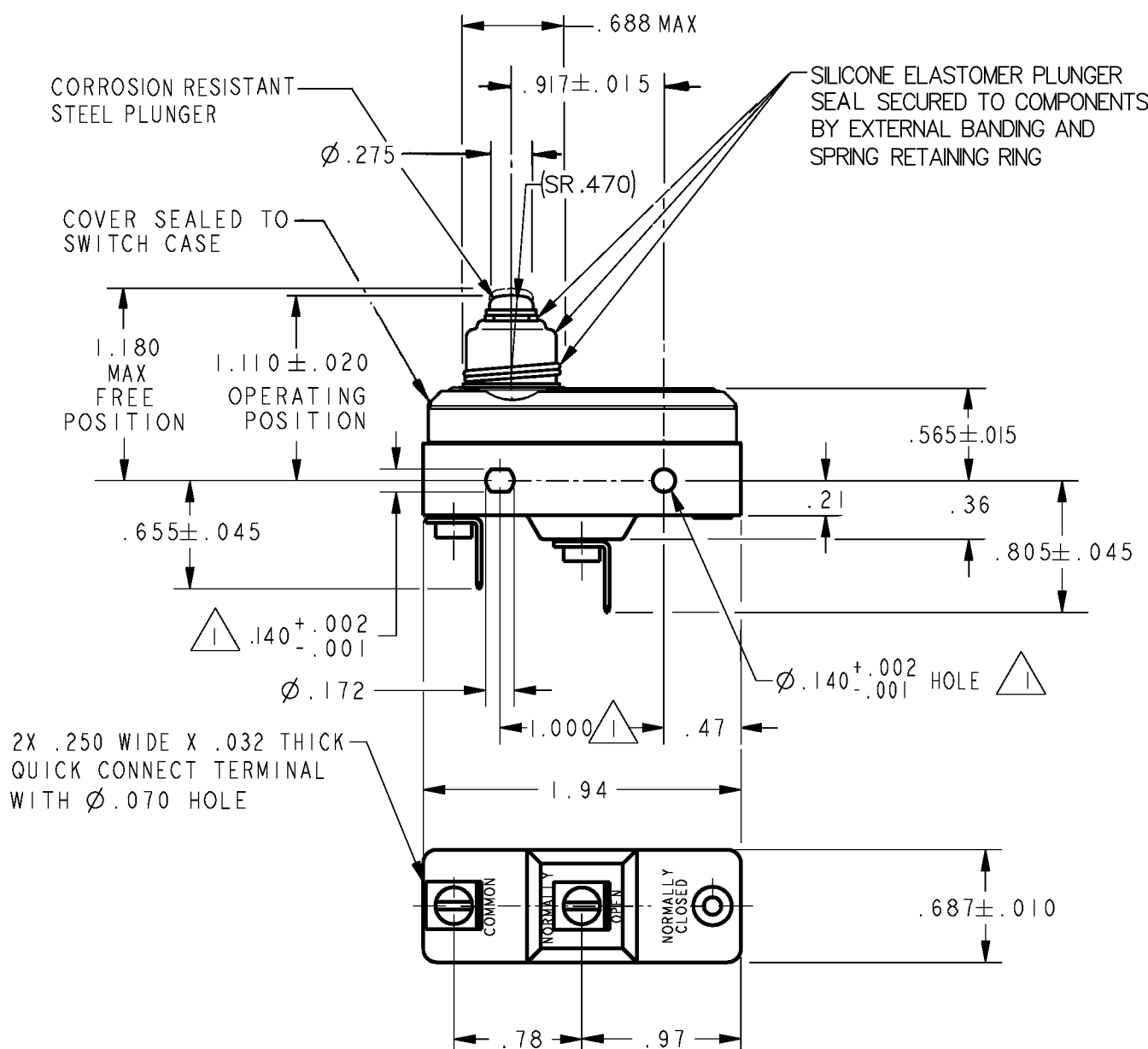
CHECK

10 OCT 00

RASTER  
DRAWN

CSL

10 OCT 00



NOTES  
 MOUNTING HOLES WILL ACCEPT PINS OR SCREWS OF Ø.139 MAX ON 1.000 ± .002 CENTERS  
 2 - SEALED CONSTRUCTION PROVIDES SPLASH RESISTANCE

ANSI Y14.5M-1982 APPLIES

THIS DRAWING COVERS A PROPRIETARY ITEM AND IS THE PROPERTY OF MICRO SWITCH, A DIVISION OF HONEYWELL. THIS DRAWING IS NOT TO BE COPIED OR USED WITHOUT THE APPROVAL OF MICRO SWITCH.

THIRD ANGLE PROJECTION

CHARACTERISTICS	ELECTRICAL DATA	SCALE	FULL	DO NOT SCALE PRINT
		OPERATING FORCE ----- 8-19 OZ	CONTACT ARRANGEMENT S P N O	UNLESS OTHERWISE SPECIFIED TOLERANCES ARE
RELEASE FORCE ----- 4 OZ MIN	L96 15A 125, 250 OR 480 VAC 1/8HP 125 VAC, 1/4HP 250 VAC 1/2A 125 VDC, 1/4A 250 VDC	ONE PLACE	(.0)	±.030
DIFFERENTIAL TRAVEL ----- .0004-.0025		TWO PLACE	(.00)	±.015
OVERTRAVEL ----- .062 MIN		THREE PLACE	(.000)	±.005
	L288 L306 L315	ANGLES		±
	16A 250V  T85 5E4	WEIGHT	.076 LB	