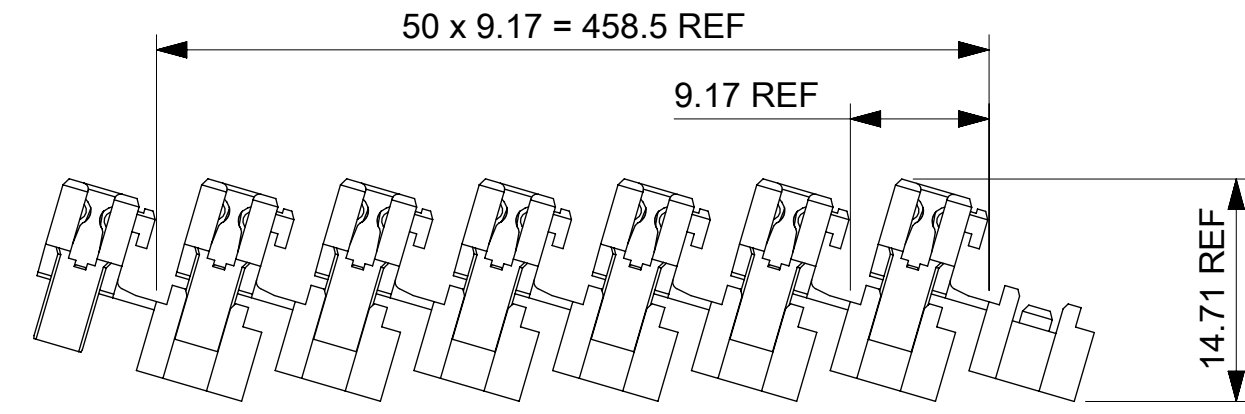
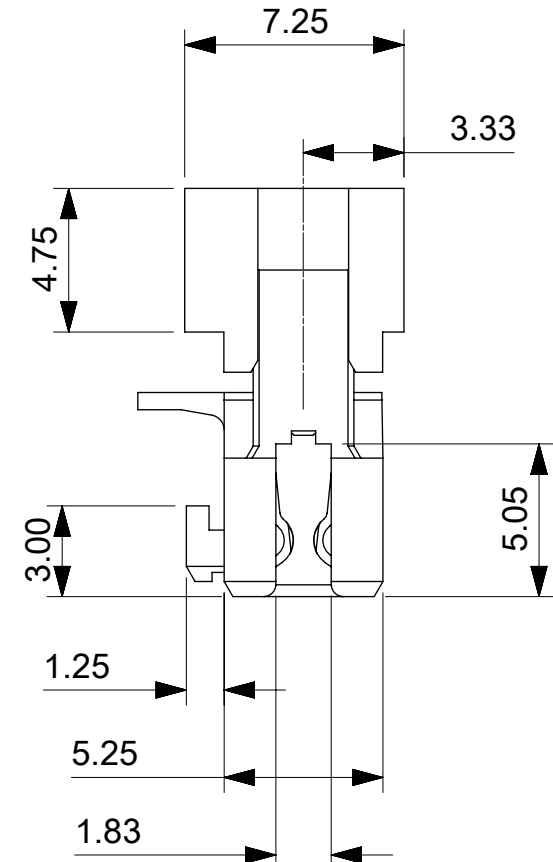
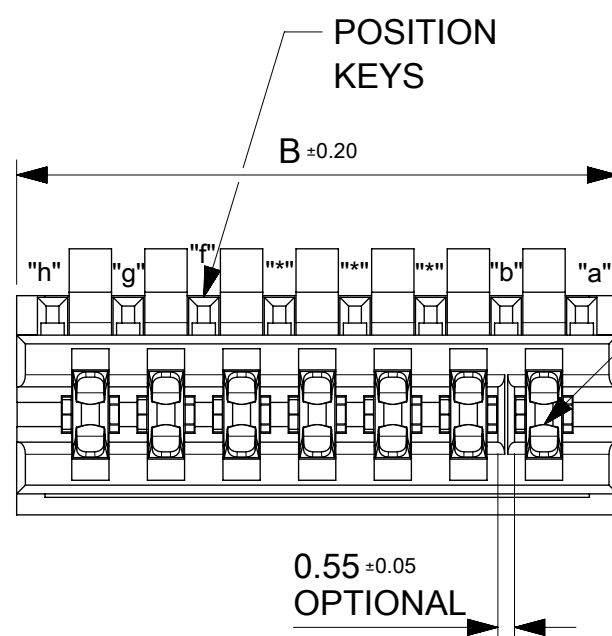
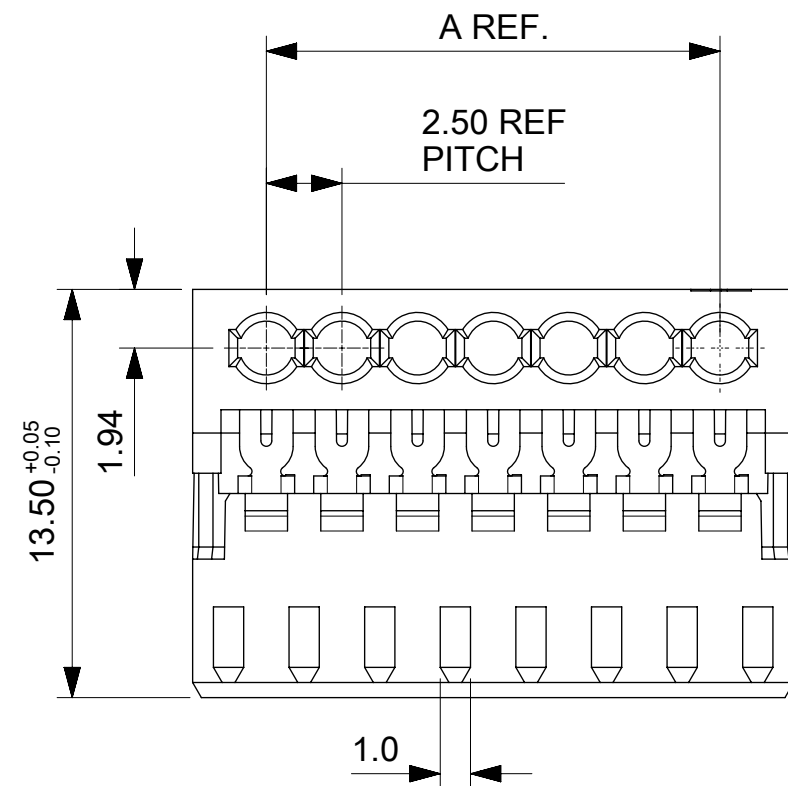
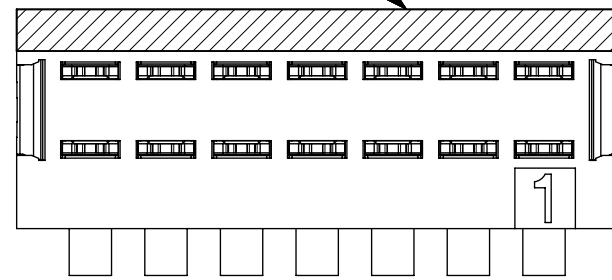


POSITION OF COLOUR STRIPE (see note 3)



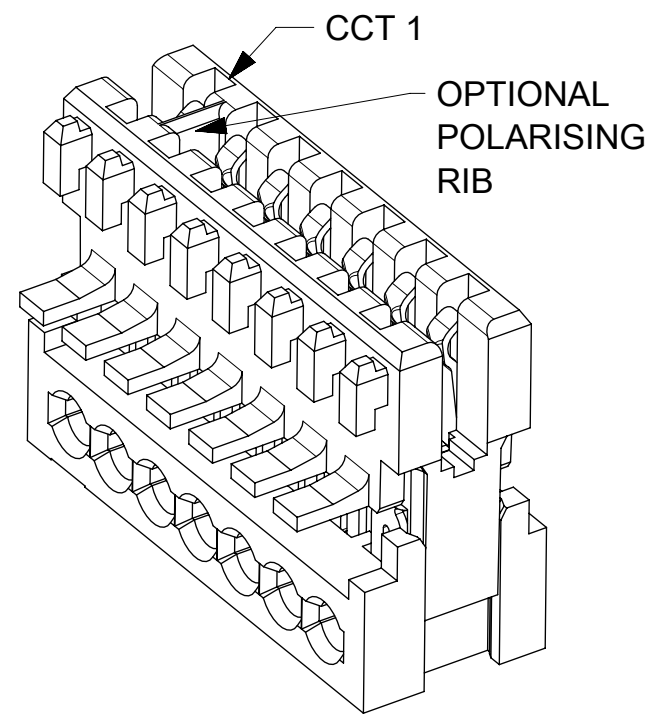
SHIPPING ARRANGEMENT

CCT	A	B
2	2.5	7.375
3	5	9.875
4	7.5	12.375
5	10	14.875
6	12.5	17.375
7	15	19.875
8	17.5	22.375
9	20	24.875
10	22.5	27.375
11	25	29.875
12	27.5	32.375
13	30	34.875
14	32.5	37.375
15	35	39.875
16	37.5	42.375
17	40	44.875
18	42.5	47.375
19	45	49.875
20	47.5	52.375

NOTES:

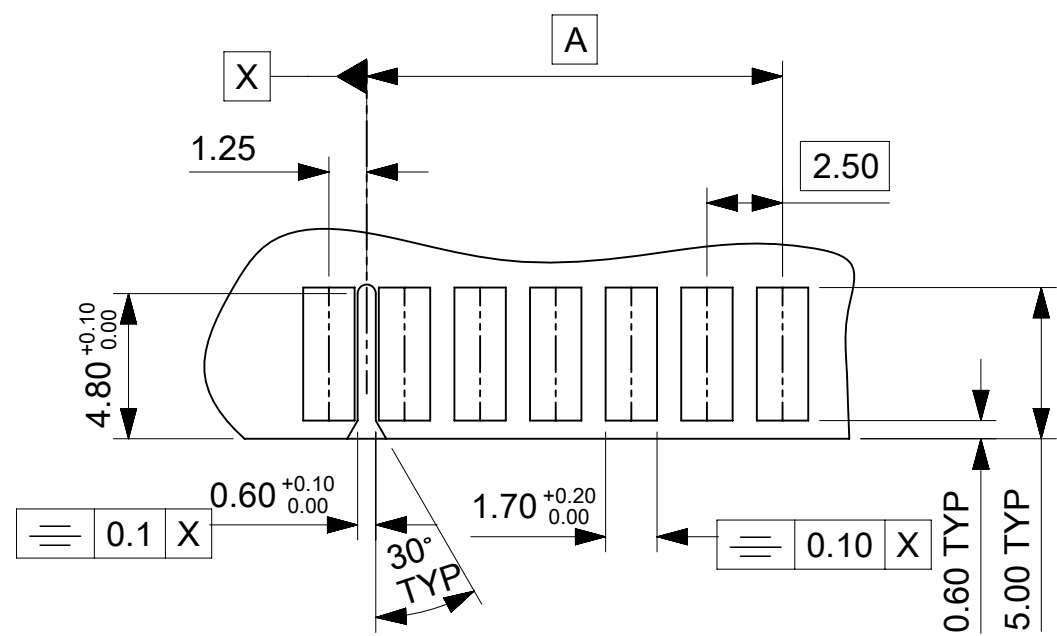
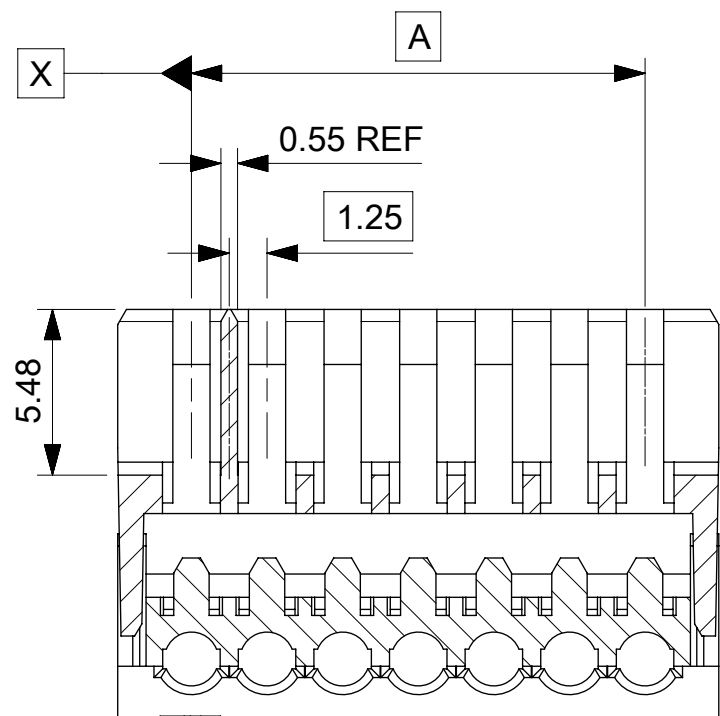
- REFER TO PRODUCT SPECIFICATION: PS-99020-0040.
- MATERIAL: HOUSING - POLYAMIDE 6 (PA6)  
UL94-V2. COLOUR NATURAL.  
TERMINAL: PHOSPHOR BRONZE 0.30 REF. THICK - PLATING  
HOT TIN DIP.
- COLOUR STRIPE IS OPTIONAL. AVAILABLE IN THE FOLLOWING COLOURS: RED, GREEN, BLUE, ORANGE, BROWN & YELLOW. (BLACK SIGNIFIES CUSTOMER SPECIFIC CONFIGURATION).
- REFER TO PACKAGING SPEC (PK-90871-001)
- REFER TO APPLICATION SPEC (990330008 AS)

THIS DRAWING CONTAINS INFORMATION THAT IS PROPRIETARY TO MOLEX ELECTRONIC TECHNOLOGIES, LLC AND SHOULD NOT BE USED WITHOUT WRITTEN PERMISSION									
DIMENSION UNITS	SCALE	CURRENT REV DESC:			<b>molex</b>				
mm	4:1								
GENERAL TOLERANCES (UNLESS SPECIFIED)					APPLI-MATE 2.5 FEMALE G.W.T. 750 VERSION				
ANGULAR TOL	± 0.5°	EC NO: 675456			PRODUCT CUSTOMER DRAWING				
4 PLACES	±	DRWN: MBN02 2021/08/24			DOCUMENT NUMBER				
3 PLACES	± 0.05	CHK'D: MBN02 2021/08/26			930500001				
2 PLACES	± 0.1	APPR: SDEVITT 2021/09/28			DOC TYPE		DOC PART		REVISION
1 PLACE	± 0.2	INITIAL REVISION:			PSD		000		V1
0 PLACES	±	DRWN: CFISHER01 2015/11/24			MATERIAL NUMBER		CUSTOMER		SHEET NUMBER
DRAFT WHERE APPLICABLE MUST REMAIN WITHIN DIMENSIONS		THIRD ANGLE PROJECTION		DRAWING	SERIES	GENERAL MARKET		1 OF 17	
		A2-SIZE		93050	SEE TABLE				

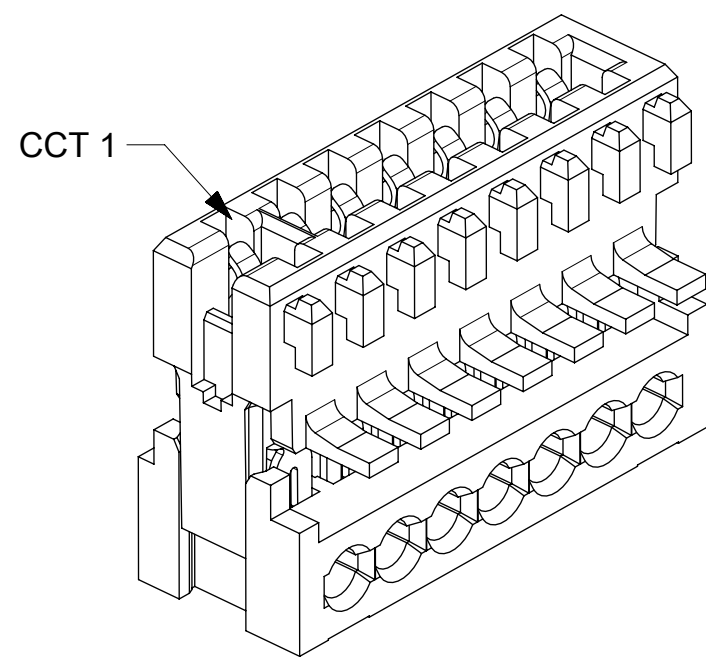


OPEN END WALL OPTION

FIRST END WALL	LAST END WALL
OPEN	OPEN

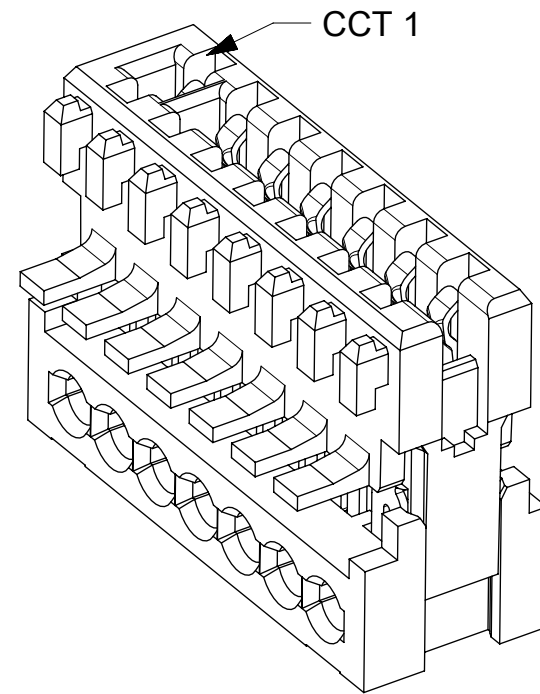
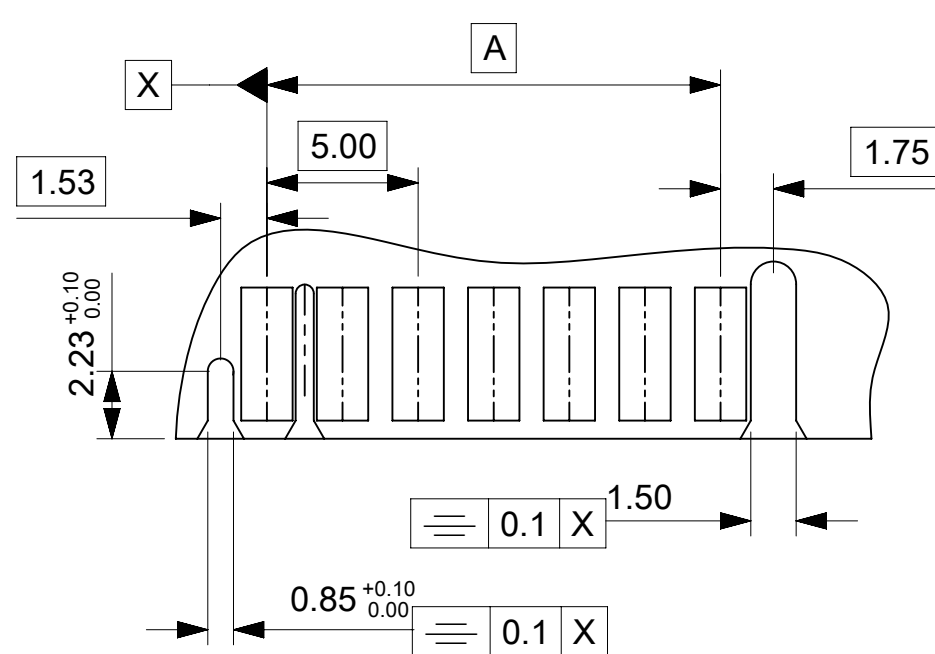
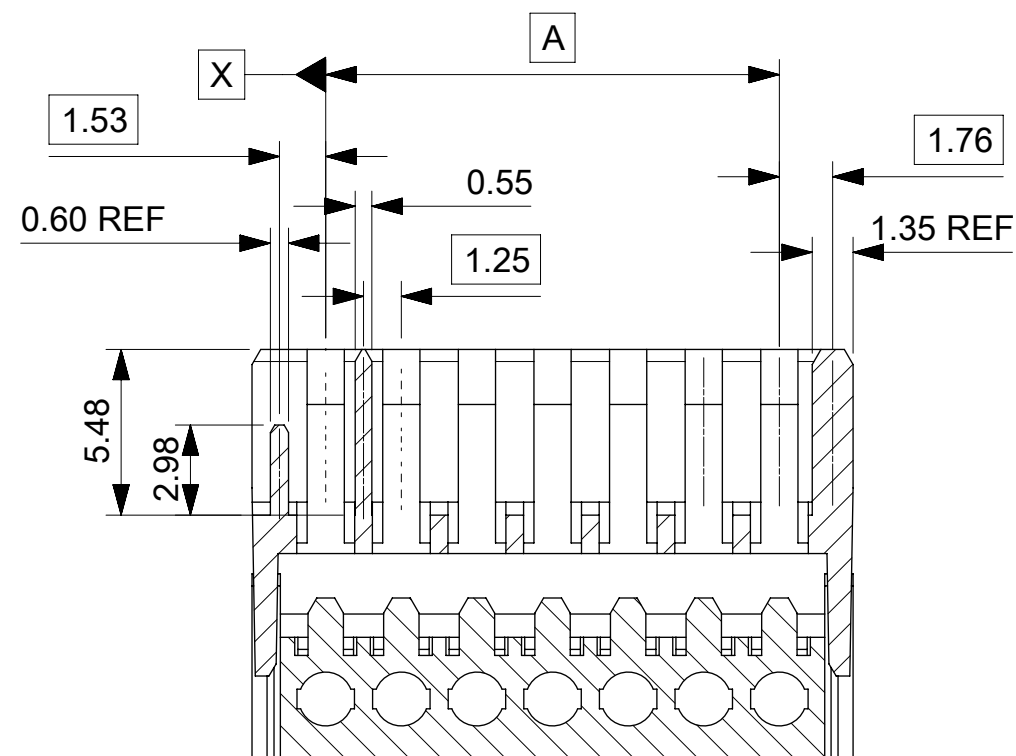


- PCB LAYOUT CCTCONNECTOR  
(WITH OPTIONAL POSITIONAL RIB SLOT BETWEEN CCT 1 & 2)  
- RECOMMENDED PCB THICKNESS 1.5 ± 0.14



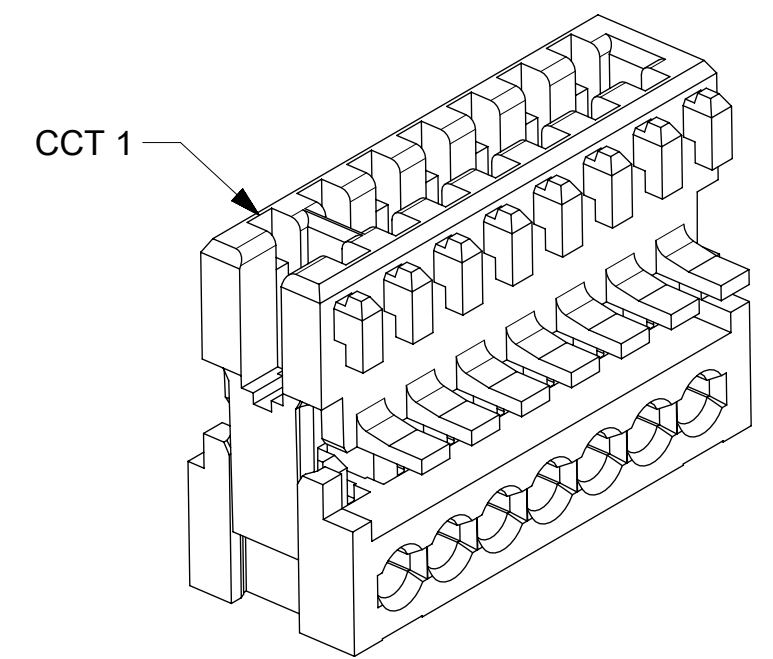
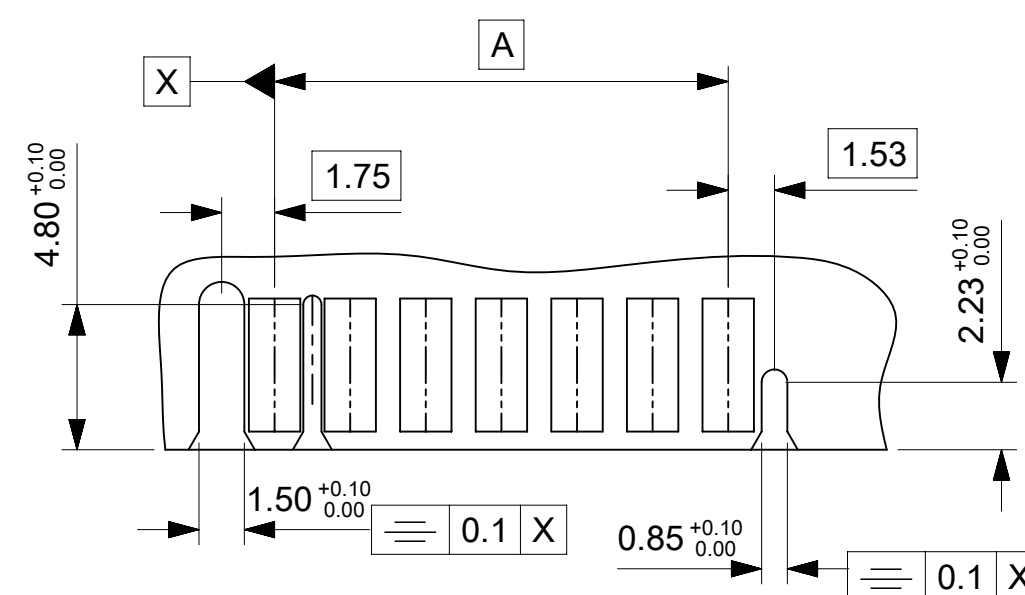
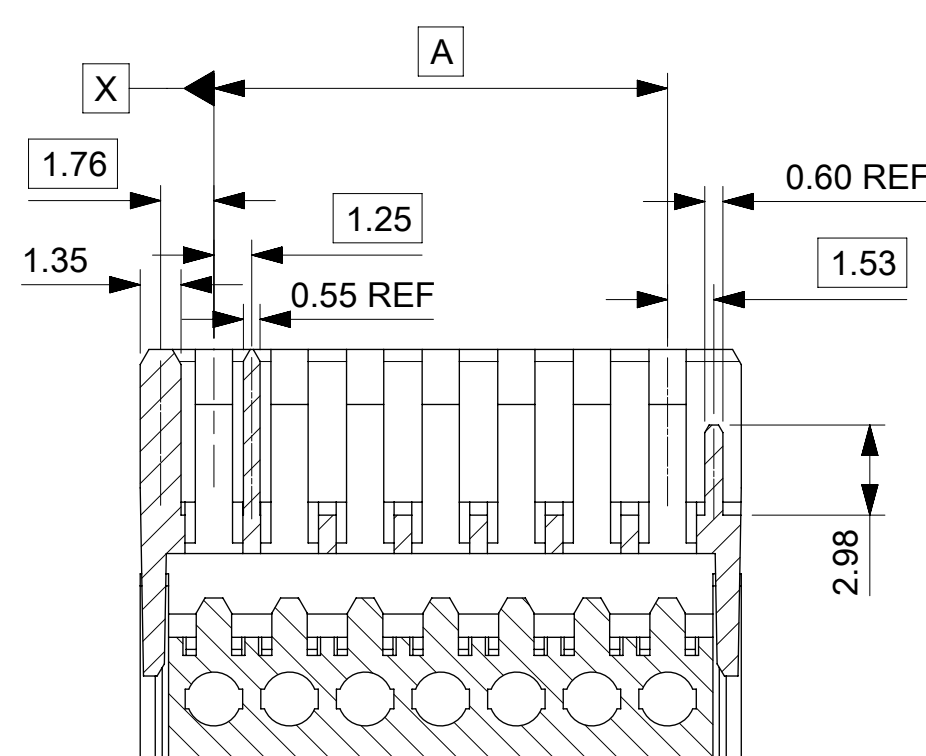
END WALL OPTION A

FIRST END WALL	LAST END WALL
HALF	CLOSED



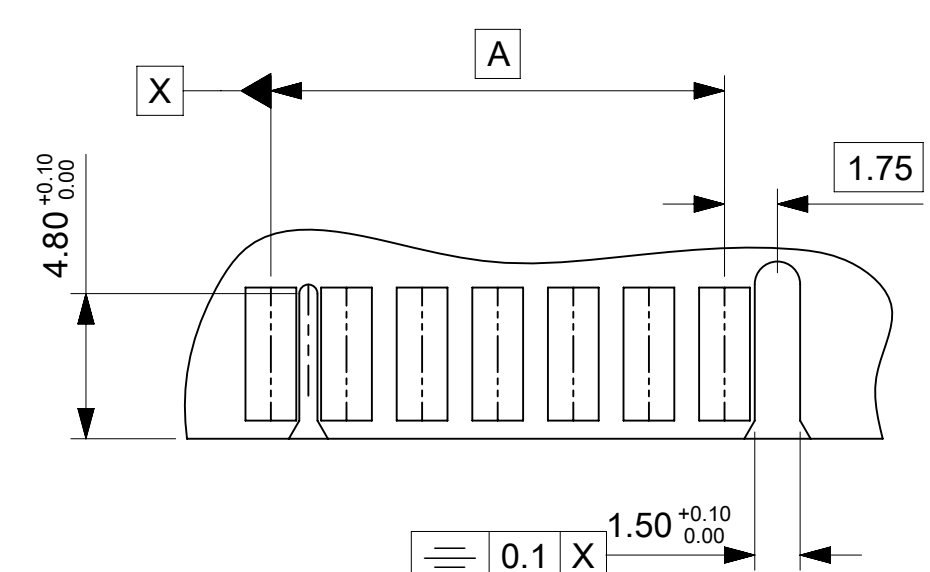
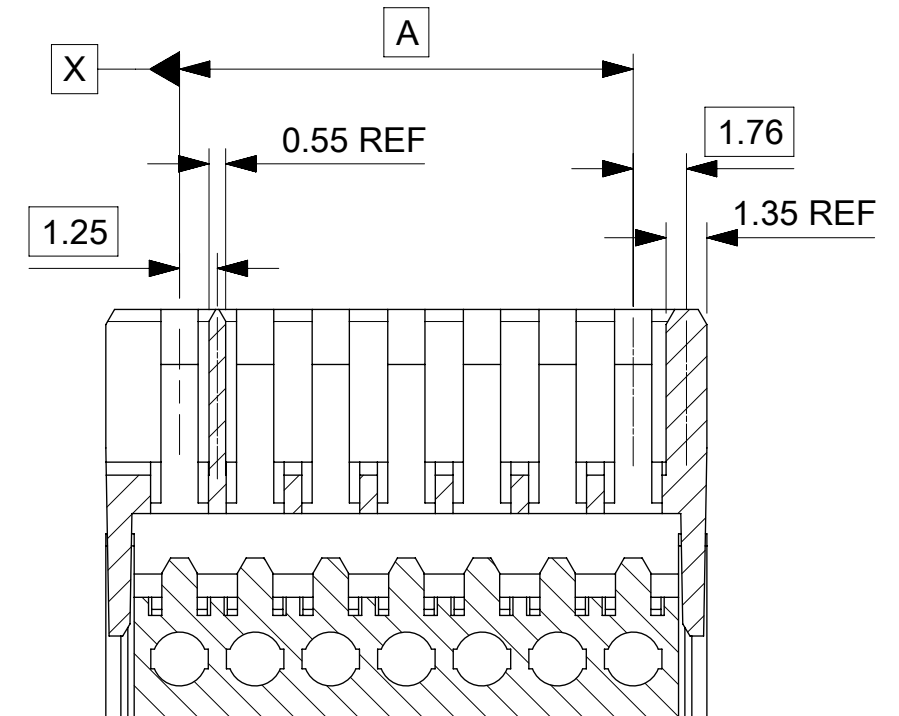
END WALL OPTION B

FIRST END WALL	LAST END WALL
CLOSED	HALF



END WALL OPTION C

FIRST END WALL	LAST END WALL
OPEN	CLOSED



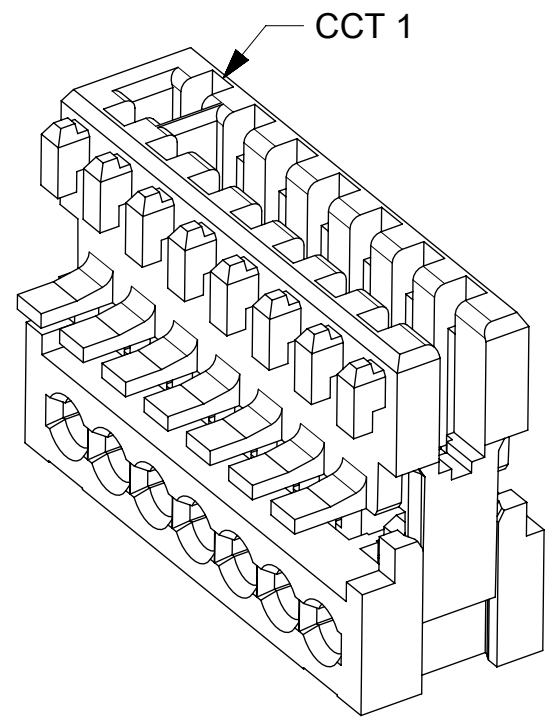
THIS DRAWING CONTAINS INFORMATION THAT IS PROPRIETARY TO MOLEX ELECTRONIC TECHNOLOGIES, LLC AND SHOULD NOT BE USED WITHOUT WRITTEN PERMISSION

DIMENSION UNITS	SCALE	CURRENT REV DESC:	
mm	4:1		
GENERAL TOLERANCES (UNLESS SPECIFIED)			
ANGULAR TOL	± 0.5°	EC NO: 675456	
4 PLACES	±	DRWN: MBN02	2021/08/24
3 PLACES	± 0.05	CHK'D: MBN02	2021/08/26
2 PLACES	± 0.1	APPR: SDEVITT	2021/09/28
1 PLACE	± 0.2	INITIAL REVISION:	
0 PLACES	±	DRWN: CFISHER01	2015/11/24
		APPR: MSHANAHAN	2016/01/20
DRAFT WHERE APPLICABLE MUST REMAIN WITHIN DIMENSIONS		THIRD ANGLE PROJECTION	DRAWING
			A2-SIZE
		SERIES	93050
DOCUMENT NUMBER		CUSTOMER	SHEET NUMBER
930500001		GENERAL MARKET	2 OF 17
DOC TYPE		DOC PART	REVISION
PSD		000	V1

**molex**

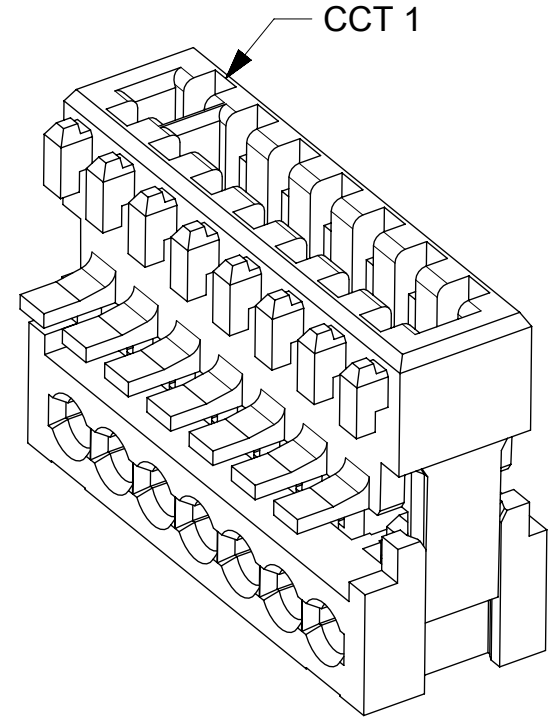
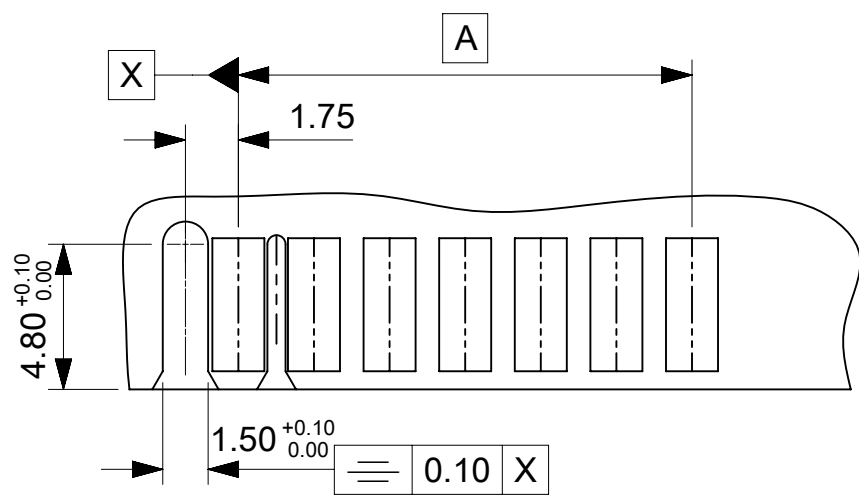
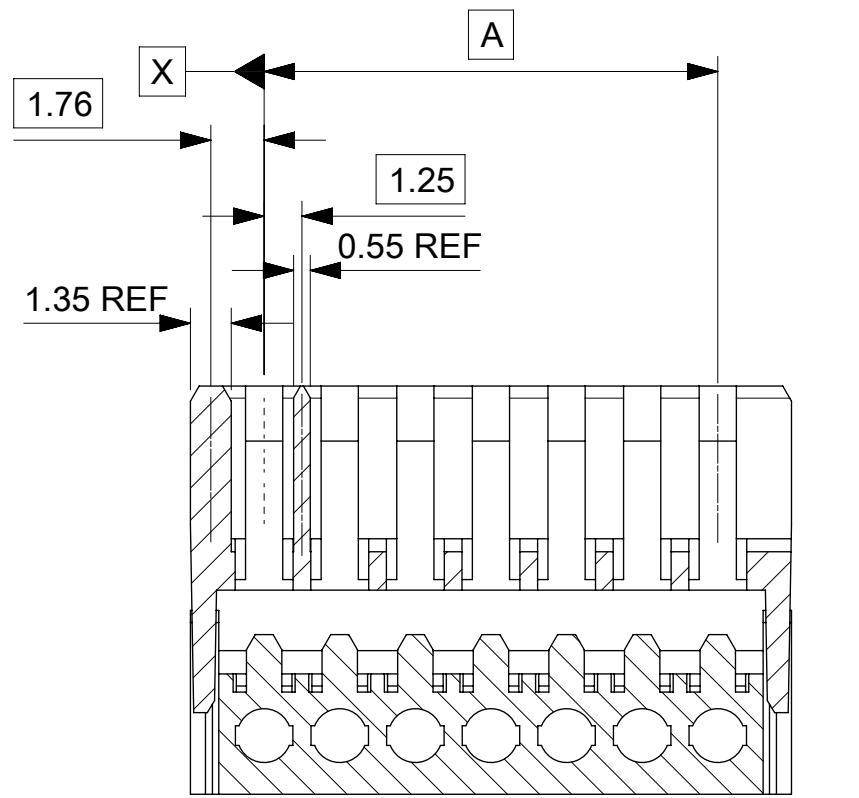
APPLI-MATE 2.5 FEMALE G.W.T. 750 VERSION

PRODUCT CUSTOMER DRAWING



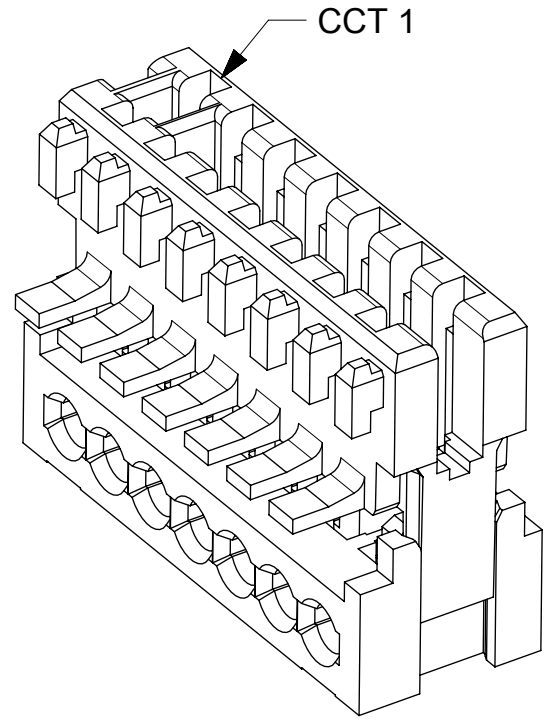
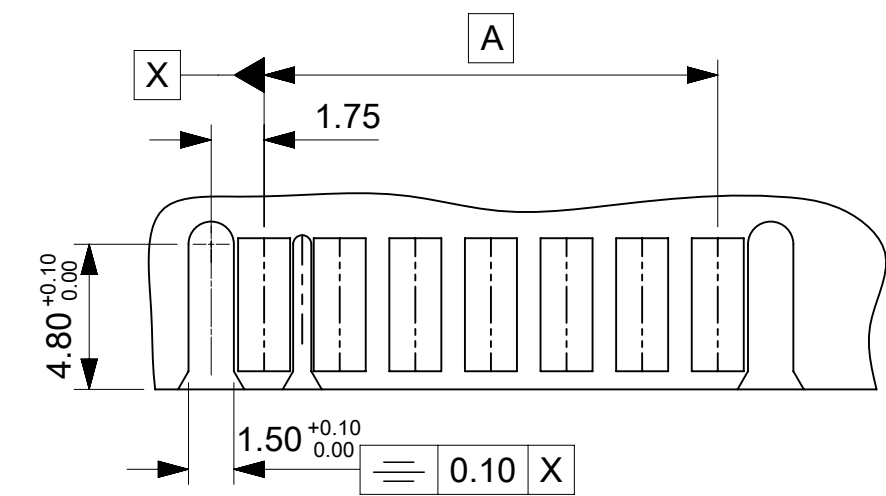
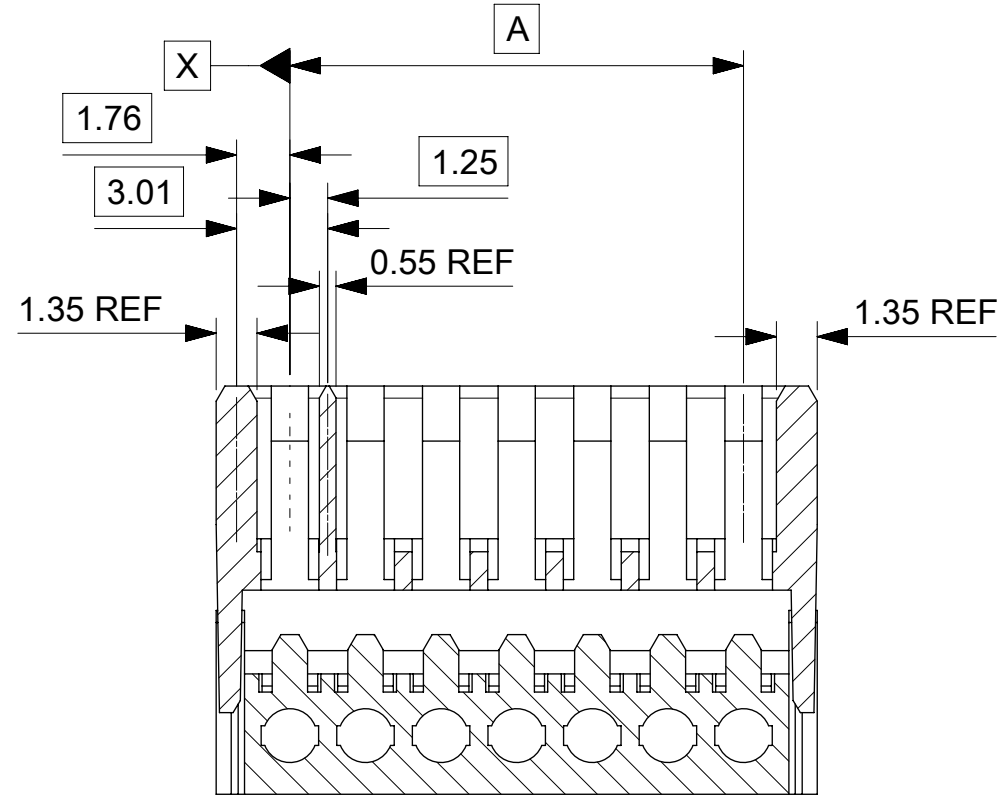
END WALL OPTION D

FIRST END WALL	LAST END WALL
CLOSED	OPEN



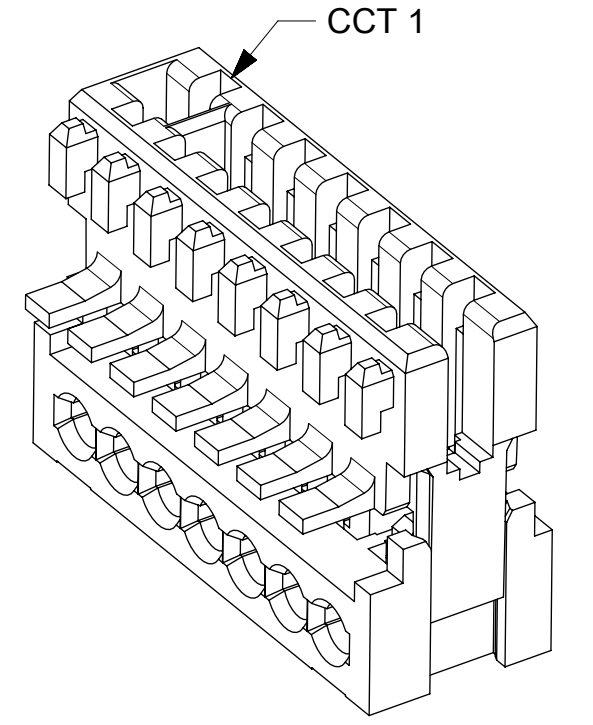
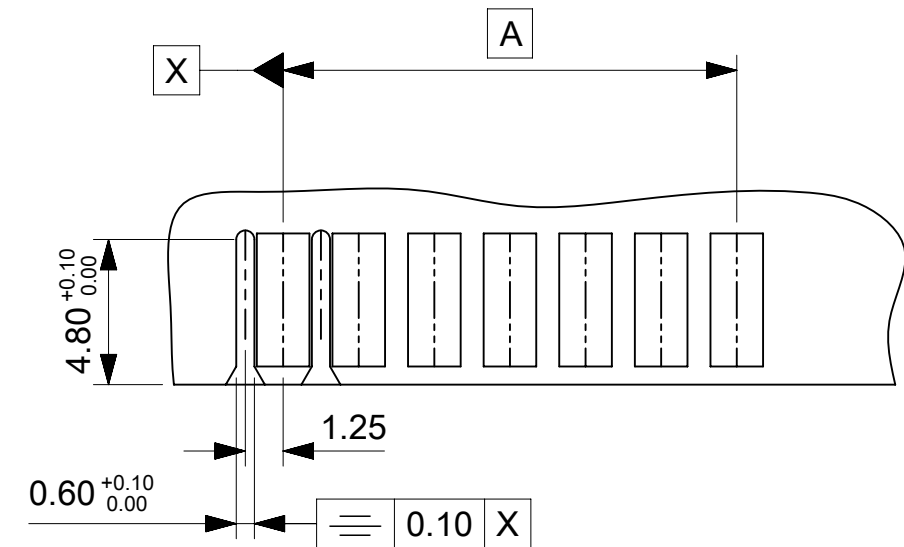
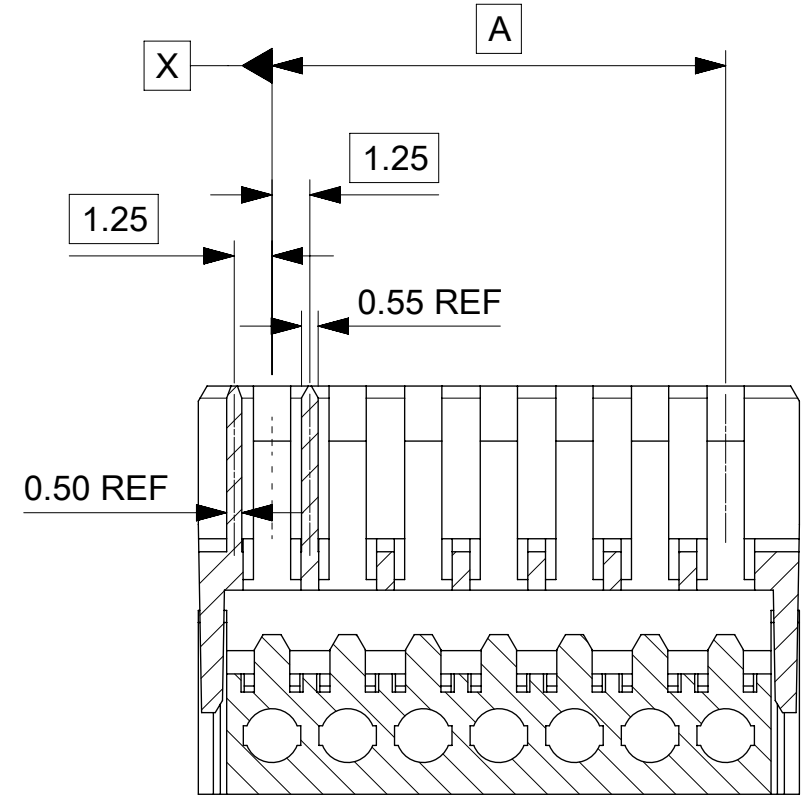
END WALL OPTION E

FIRST END WALL	LAST END WALL
CLOSED	CLOSED



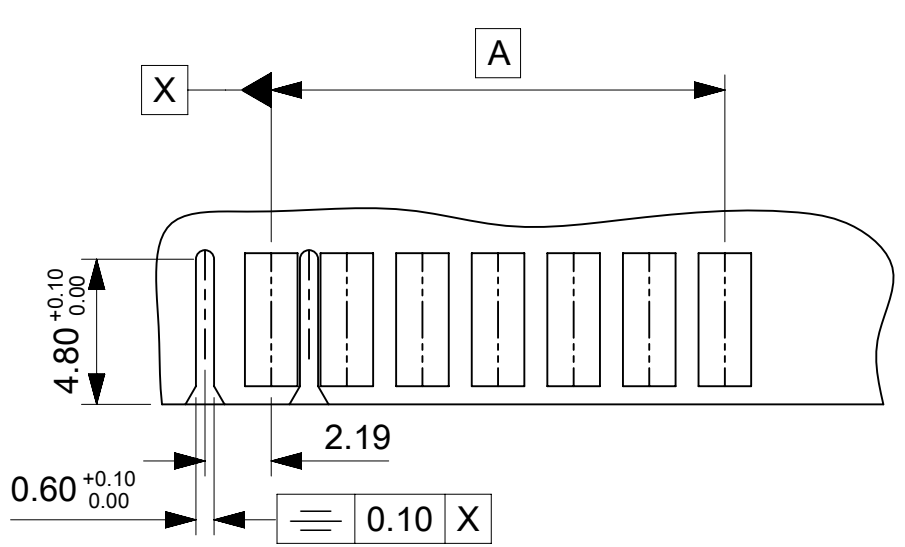
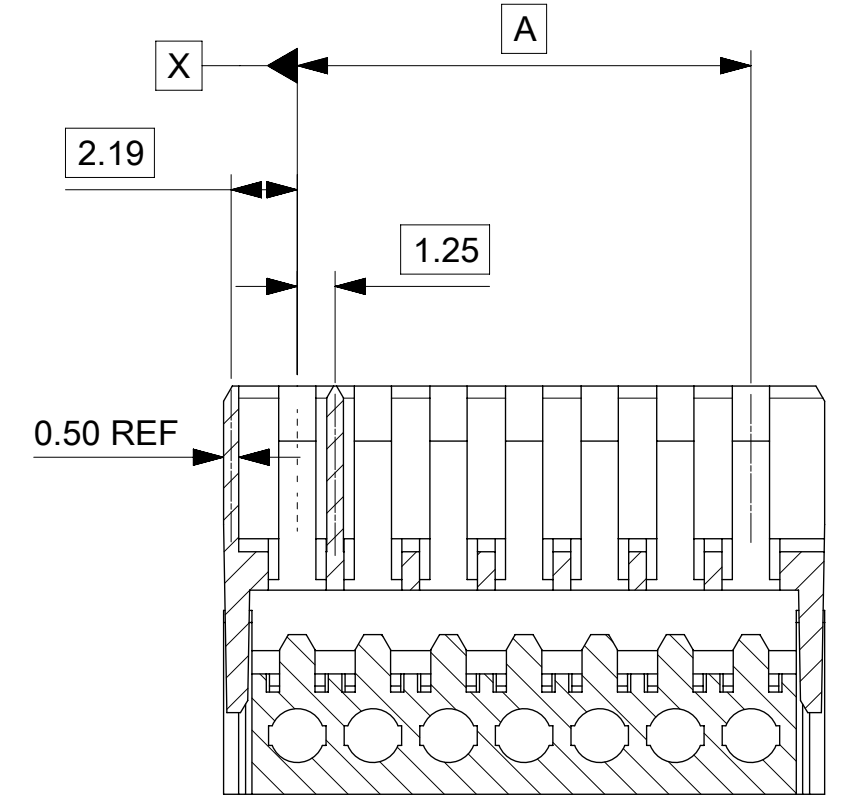
END WALL OPTION F

FIRST END WALL	LAST END WALL
NARROW	OPEN



END WALL OPTION G

FIRST END WALL	LAST END WALL
NARROW FLUSH	OPEN



THIS DRAWING CONTAINS INFORMATION THAT IS PROPRIETARY TO MOLEX ELECTRONIC TECHNOLOGIES, LLC AND SHOULD NOT BE USED WITHOUT WRITTEN PERMISSION

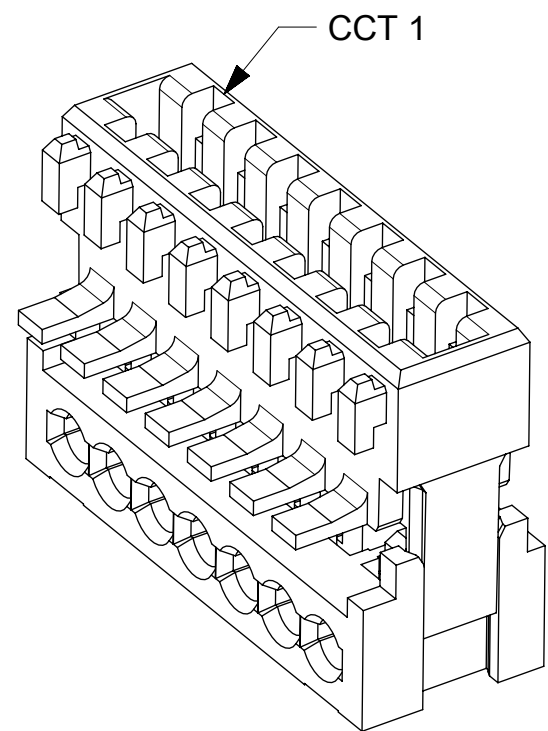
DIMENSION UNITS	SCALE	CURRENT REV DESC:	
mm	4:1		
GENERAL TOLERANCES (UNLESS SPECIFIED)			
ANGULAR TOL	± 0.5°	EC NO: 675456	
4 PLACES	±	DRWN: MBN02	2021/08/24
3 PLACES	± 0.05	CHK'D: MBN02	2021/08/26
2 PLACES	± 0.1	APPR: SDEVITT	2021/09/28
1 PLACE	± 0.2	INITIAL REVISION:	
0 PLACES	±	DRWN: CFISHER01	2015/11/24
		APPR: MSHANAHAN	2016/01/20
DRAFT WHERE APPLICABLE MUST REMAIN WITHIN DIMENSIONS		THIRD ANGLE PROJECTION	DRAWING
			A2-SIZE
		SERIES	93050
DOCUMENT STATUS		MATERIAL NUMBER	SEE TABLE
P1	RELEASE DATE	CUSTOMER	GENERAL MARKET
2021/09/28	05:26:21	SHEET NUMBER	
		3 OF 17	

**molex**

APPLI-MATE 2.5 FEMALE G.W.T. 750 VERSION

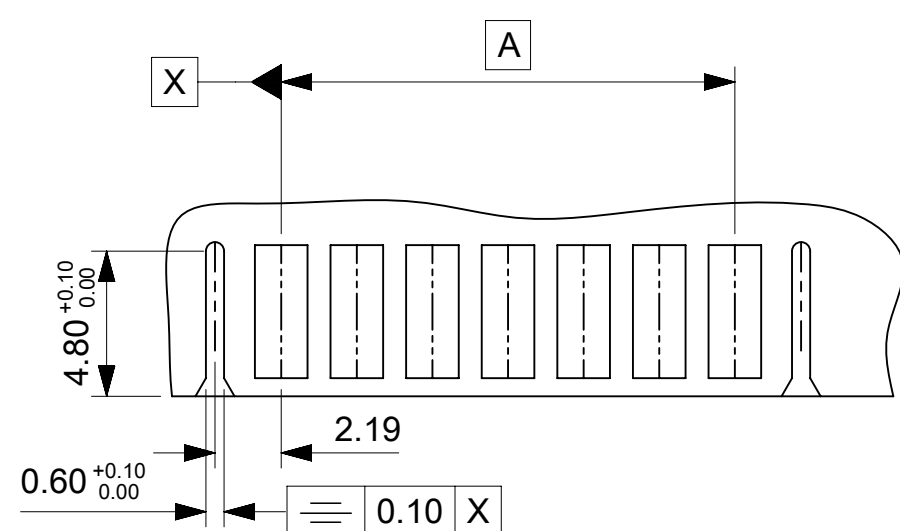
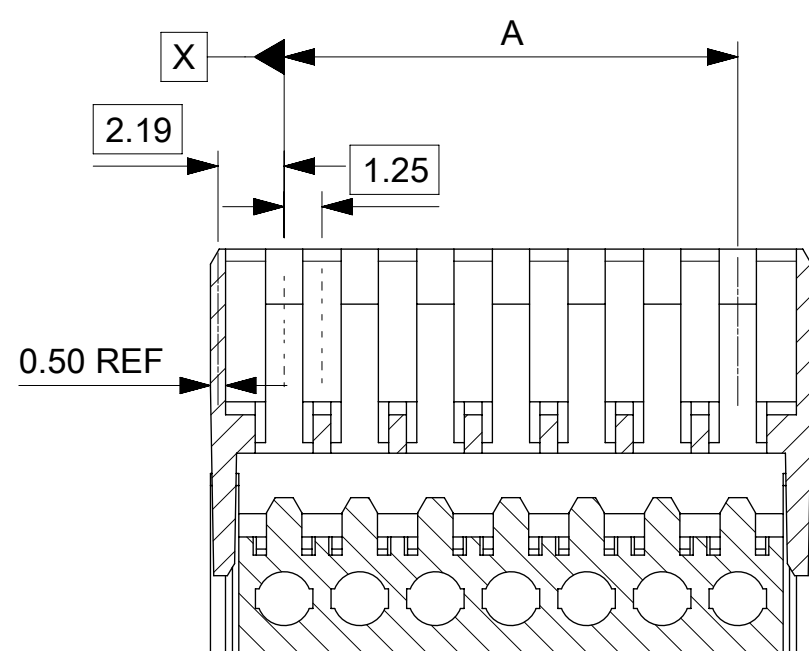
PRODUCT CUSTOMER DRAWING

DOCUMENT NUMBER	DOC TYPE	DOC PART	REVISION
930500001	PSD	000	V1



END WALL OPTION H

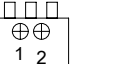
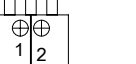
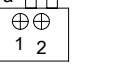
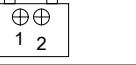
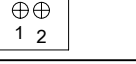

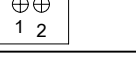
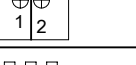
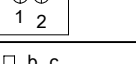
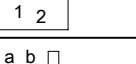
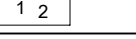
FIRST END WALL	LAST END WALL
NARROW FLUSH	NARROW FLUSH



THIS DRAWING CONTAINS INFORMATION THAT IS PROPRIETARY TO MOLEX ELECTRONIC TECHNOLOGIES, LLC AND SHOULD NOT BE USED WITHOUT WRITTEN PERMISSION


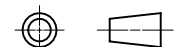
DIMENSION UNITS	SCALE	CURRENT REV DESC:		<b>molex</b>				
mm	4:1							
GENERAL TOLERANCES (UNLESS SPECIFIED)				APPLI-MATE 2.5 FEMALE G.W.T. 750 VERSION				
ANGULAR TOL	± 0.5°			PRODUCT CUSTOMER DRAWING				
4 PLACES	±	EC NO: 675456		DOCUMENT NUMBER				
3 PLACES	± 0.05	DRWN: MBN02	2021/08/24	930500001		DOC TYPE	DOC PART	REVISION
2 PLACES	± 0.1	CHK'D: MBN02	2021/08/26			PSD	000	V1
1 PLACE	± 0.2	APPR: SDEVITT	2021/09/28			SHEET NUMBER		
0 PLACES	±	INITIAL REVISION:		4 OF 17				
DRAFT WHERE APPLICABLE MUST REMAIN WITHIN DIMENSIONS		DRWN: CFISHER01	2015/11/24	MATERIAL NUMBER		CUSTOMER		
		APPR: MSHANAHAN	2016/01/20	SEE TABLE		GENERAL MARKET		
		THIRD ANGLE PROJECTION	DRAWING	SERIES				
			A2-SIZE	93050				

DOCUMENT STATUS	P1	RELEASE DATE	2021/09/28	05:26:21
-----------------	----	--------------	------------	----------

2 CIRCUIT								
PART NUMBER	HOUSING USED	TERMINAL VOID POSITION	REMOVED POSITION KEYS	CONFIGURATION	FIRST ENDWALL	LAST ENDWALL	POLARIZING RIB BETWEEN	COLOUR STRIPE
93050-9001	93049-0002	NONE	NONE		OPEN	OPEN	NONE	NONE
93050-9002	93049-0102	NONE	NONE		OPEN	OPEN	BETWEEN CCT 1&2	NONE
93050-9003	93049-0002	NONE	a		OPEN	OPEN	NONE	NONE
93050-9004	93049-0002	NONE	b		OPEN	OPEN	NONE	NONE
93050-9005	93049-0002	NONE	c		OPEN	OPEN	NONE	NONE
93050-9006	93049-0002	NONE	ALL		OPEN	OPEN	NONE	NONE
93050-9007	93049-0062	NONE	NONE		CLOSED	OPEN	NONE	NONE
93050-9008	93049-0122	NONE	NONE		CLOSED	CLOSED	BETWEEN CCT 1&2	NONE
93050-9009	93049-0022	NONE	NONE		CLOSED	CLOSED	NONE	NONE
93050-9010	93049-0022	NONE	b c		CLOSED	CLOSED	NONE	NONE
93050-9011	93049-0022	NONE	a b		CLOSED	CLOSED	NONE	NONE

NOTES

- 1. + DENOTES TERMINAL VOIDED POSITION
- ⊕ DENOTES TERMINAL LOADED POSITION
- | DENOTES POLARIZING RIB POSITION
- 2. MOLEX HOUSING NO. FOR REFERENCE ONLY

THIS DRAWING CONTAINS INFORMATION THAT IS PROPRIETARY TO MOLEX ELECTRONIC TECHNOLOGIES, LLC AND SHOULD NOT BE USED WITHOUT WRITTEN PERMISSION										
DIMENSION UNITS	SCALE	CURRENT REV DESC:								
mm	1:1									
GENERAL TOLERANCES (UNLESS SPECIFIED)						APPLI-MATE 2.5 FEMALE G.W.T. 750 VERSION				
ANGULAR TOL	± 0.5°	EC NO: 675456				PRODUCT CUSTOMER DRAWING				
4 PLACES	±	DRWN: MBN02		2021/08/24						
3 PLACES	± 0.05	CHK'D: MBN02		2021/08/26						
2 PLACES	± 0.1	APPR: SDEVITT		2021/09/28						
1 PLACE	± 0.2	INITIAL REVISION:				DOCUMENT NUMBER				
0 PLACES	±	DRWN: CFISHER01		2015/11/24		930500001		DOC TYPE	DOC PART	REVISION
DRAFT WHERE APPLICABLE MUST REMAIN WITHIN DIMENSIONS		THIRD ANGLE PROJECTION		DRAWING	SERIES	MATERIAL NUMBER	CUSTOMER	SHEET NUMBER		
				A2-SIZE	93050	SEE TABLE	GENERAL MARKET	5 OF 17		

3 CIRCUIT								
PART NUMBER	HOUSING USED	TERMINAL VOID POSITION	REMOVED POSITION KEYS	CONFIGURATION	FIRST ENDWALL	LAST ENDWALL	POLARIZING RIB BETWEEN	COLOUR STRIPE
93050-0001	93049-0003	NONE	NONE		OPEN	OPEN	NONE	NONE
93050-0003	93049-0003	NONE	b d		OPEN	OPEN	NONE	NONE
93050-0005	93049-0003	NONE	b		OPEN	OPEN	NONE	NONE
93050-0006	93049-0003	NONE	d		OPEN	OPEN	NONE	NONE
93050-0007	93049-0003	NONE	a c		OPEN	OPEN	NONE	NONE
93050-0008	93049-0003	NONE	a b		OPEN	OPEN	NONE	NONE
93050-0009	93049-0003	NONE	c d		OPEN	OPEN	NONE	NONE
93050-0012	93049-0103	NONE	b c		OPEN	OPEN	BETWEEN CCT 1&2	NONE
93050-0013	93049-0103	NONE	a		OPEN	OPEN	BETWEEN CCT 1&2	NONE
93050-0014	93049-0203	NONE	c		OPEN	OPEN	BETWEEN CCT 2&3	BLUE
93050-0016	93049-0103	NONE	NONE		OPEN	OPEN	BETWEEN CCT 1&2	NONE
93050-0018	93049-0003	NONE	a b c		OPEN	OPEN	NONE	NONE
93050-0019	93049-0003	NONE	c		OPEN	OPEN	NONE	NONE
93050-0020	93049-0003	NONE	a d		OPEN	OPEN	NONE	NONE
93050-0021	93049-0003	NONE	NONE		OPEN	OPEN	NONE	BLUE
93050-0022	93049-0103	NONE	NONE		OPEN	OPEN	BETWEEN CCT 1&2	BLUE
93050-0023	93049-0003	NONE	b c		OPEN	OPEN	NONE	NONE
93050-0024	93049-0003	NONE	a		OPEN	OPEN	NONE	NONE
93050-0025	93049-0003	NONE	a d		OPEN	OPEN	NONE	RED
93050-0026	93049-0003	NONE	c		OPEN	OPEN	NONE	RED
93050-0027	93049-0003	CCT 3	c		OPEN	OPEN	NONE	BLUE
93050-0028	93049-0003	NONE	b d		OPEN	OPEN	NONE	RED
93050-0029	93049-0003	NONE	a c		OPEN	OPEN	NONE	RED
93050-0030	93049-0003	CCT 1	NONE		OPEN	OPEN	NONE	NONE
93050-0031	93049-0003	CCT 3	NONE		OPEN	OPEN	NONE	NONE
93050-0151	93049-0063	NONE	NONE		CLOSED	OPEN	NONE	NONE
93050-0032	93049-0003	NONE	NONE		OPEN	OPEN	NONE	BROWN
93050-0034	93049-0103	NONE	NONE		OPEN	OPEN	BETWEEN CCT 1&2	BLACK
93050-0351	93049-0223	NONE	NONE		CLOSED	CLOSED	BETWEEN CCT 2&3	NONE

3 CIRCUIT								
PART NUMBER	HOUSING USED	TERMINAL VOID POSITION	REMOVED POSITION KEYS	CONFIGURATION	FIRST ENDWALL	LAST ENDWALL	POLARIZING RIB BETWEEN	COLOUR STRIPE
93050-0152	93049-0063	NONE	NONE		CLOSED	OPEN	NONE	BLUE
93050-0038	93049-0003	CCT 3	NONE		OPEN	OPEN	NONE	BLACK
93050-0037	93049-0003	NONE	b		OPEN	OPEN	NONE	BLUE
93050-0352	93049-0023	NONE	NONE		CLOSED	CLOSED	NONE	NONE
93050-0039	93049-0203	NONE	NONE		OPEN	OPEN	BETWEEN CCT 2&3	RED
93050-0153	93049-0063	NONE	a c		CLOSED	OPEN	NONE	NONE
93050-0154	93049-0063	NONE	d		CLOSED	OPEN	NONE	NONE
93050-0040	93049-0103	NONE	NONE		OPEN	OPEN	BETWEEN CCT 1&2	NONE
93050-0041	93049-0203	NONE	NONE		OPEN	OPEN	BETWEEN CCT 2&3	NONE
93050-0042	93049-0003	NONE	ALL		OPEN	OPEN	NONE	NONE
93050-0044	93049-0203	NONE	a d		OPEN	OPEN	BETWEEN CCT 2&3	BLUE
93050-0045	93049-0043	NONE	d		OPEN	CLOSED	NONE	NONE
93050-0046	93049-0003	NONE	a b d		OPEN	OPEN	NONE	NONE
93050-0047	93049-0043	NONE	a d		OPEN	CLOSED	NONE	GREEN
93050-0048	93049-0003	NONE	a d		OPEN	OPEN	NONE	BLUE
93050-0049	93049-0203	NONE	NONE		OPEN	OPEN	BETWEEN CCT 2&3	BLACK
93050-0050	93049-0003	NONE	b c		OPEN	OPEN	None	BLUE
93050-0051	93049-0103	NONE	ALL		OPEN	OPEN	BETWEEN CCT 1&2	BLUE
93050-0052	93049-0083	NONE	a c		NARROW	OPEN	NONE	NONE
93050-0053	93049-0083	NONE	d		NARROW	OPEN	NONE	NONE
93050-0054	93049-0003	NONE	NONE		OPEN	OPEN	NONE	RED
93050-0056	93049-0203	NONE	ALL		OPEN	OPEN	BETWEEN CCT 2&3	NONE

3CCT CONTINUED ON NEXT SHEET

NOTES

- + DENOTES TERMINAL VOIDED POSITION  
⊕ DENOTES TERMINAL LOADED POSITION  
| DENOTES POLARIZING RIB POSITION
- MOLEX HOUSING NO. FOR REFERENCE ONLY

THIS DRAWING CONTAINS INFORMATION THAT IS PROPRIETARY TO MOLEX ELECTRONIC TECHNOLOGIES, LLC AND SHOULD NOT BE USED WITHOUT WRITTEN PERMISSION													
DIMENSION UNITS		SCALE		CURRENT REV DESC:									
mm		1:1		<p>APPLI-MATE 2.5 FEMALE G.W.T. 750 VERSION</p> <p>PRODUCT CUSTOMER DRAWING</p>									
GENERAL TOLERANCES (UNLESS SPECIFIED)										EC NO: 675456		2021/08/24	
ANGULAR TOL		± 0.5°								DRWN: MBN02		2021/08/26	
4 PLACES		±								CHK'D: MBN02		2021/09/28	
3 PLACES		± 0.05		APPR: SDEVITT		2021/09/28							
2 PLACES		± 0.1		INITIAL REVISION:				DOCUMENT NUMBER					
1 PLACE		± 0.2		DRWN: CFISHER01		2015/11/24		930500001					
0 PLACES		±		APPR: MSHANAHAN		2016/01/20		PSD 000 V1					
DRAFT WHERE APPLICABLE MUST REMAIN WITHIN DIMENSIONS				THIRD ANGLE PROJECTION		DRAWING		SHEET NUMBER					
						A2-SIZE		6 OF 17					
SERIES		MATERIAL NUMBER		CUSTOMER									
93050		SEE TABLE		GENERAL MARKET									

### 3 CIRCUIT

PART NUMBER	HOUSING USED	TERMINAL VOID POSITION	REMOVED POSITION KEYS	CONFIGURATION	FIRST ENDWALL	LAST ENDWALL	POLARIZING RIB BETWEEN	COLOUR STRIPE
93050-0057	93049-0123	NONE	NONE		CLOSED	CLOSED	BETWEEN CCT 1&2	NONE
93050-0058	93049-0003	NONE	NONE		OPEN	OPEN	NONE	PURPLE
93050-0059	93049-0003	NONE	NONE		OPEN	OPEN	NONE	GREEN
93050-0060	93049-0123	NONE	NONE		CLOSED	CLOSED	BETWEEN CCT 1&2	BLACK
93050-0061	93049-0003	NONE	ALL		OPEN	OPEN	NONE	BLUE
93050-0062	93049-0103	NONE	a d		OPEN	OPEN	BETWEEN CCT 1&2	NONE
93050-0063	93049-0243	NONE	NONE		OPEN	CLOSED	BETWEEN CCT 2&3	NONE
93050-0064	93049-0003	NONE	b c d		OPEN	OPEN	NONE	NONE
93050-0065	93049-0263	NONE	NONE		CLOSED	OPEN	BETWEEN CCT 2&3	NONE
93050-0066	93049-9913	NONE	NONE		NARROW FLUSH	OPEN	BETWEEN CCT 2&3	NONE
93050-0067	93049-0203	NONE	d		OPEN	OPEN	BETWEEN CCT 2&3	NONE

### 4 CIRCUIT

PART NUMBER	HOUSING USED	TERMINAL VOID POSITION	REMOVED POSITION KEYS	CONFIGURATION	FIRST ENDWALL	LAST ENDWALL	POLARIZING RIB BETWEEN	COLOUR STRIPE
93050-0501	93049-0004	NONE	NONE		OPEN	OPEN	NONE	NONE
93050-0503	93049-0304	NONE	ALL		OPEN	OPEN	BETWEEN CCT 3&4	NONE
93050-0504	93049-0304	NONE	ALL		OPEN	OPEN	BETWEEN CCT 3&4	BLUE
93050-0505	93049-0004	NONE	c e		OPEN	OPEN	NONE	NONE
93050-0506	93049-0004	NONE	b c		OPEN	OPEN	NONE	NONE
93050-0507	93049-0204	NONE	NONE		OPEN	OPEN	BETWEEN CCT 2&3	NONE
93050-0508	93049-0004	NONE	a d e		OPEN	OPEN	NONE	NONE
93050-0509	93049-0004	NONE	a c		OPEN	OPEN	NONE	NONE
93050-0751	93049-0064	NONE	b e		CLOSED	OPEN	NONE	NONE
93050-0510	93049-0004	NONE	b d		OPEN	OPEN	NONE	NONE
93050-0511	93049-0004	NONE	b e		OPEN	OPEN	NONE	NONE
93050-0512	93049-0004	NONE	NONE		OPEN	OPEN	NONE	BLUE
93050-0752	93049-0064	NONE	NONE		CLOSED	OPEN	NONE	NONE
93050-0514	93049-0004	NONE	c d		OPEN	OPEN	NONE	NONE
93050-0753	93049-0064	NONE	a b d		CLOSED	OPEN	NONE	NONE
93050-0515	93049-0004	NONE	b c		OPEN	OPEN	NONE	RED
93050-0516	93049-0004	NONE	d		OPEN	OPEN	NONE	BLUE
93050-0517	93049-0004	NONE	b d e		OPEN	OPEN	NONE	BLUE
93050-0518	93049-0004	NONE	a c e		OPEN	OPEN	NONE	NONE
93050-0519	93049-0004	NONE	a b		OPEN	OPEN	NONE	NONE
93050-0520	93049-0004	NONE	a d		OPEN	OPEN	NONE	NONE
93050-0521	93049-0004	NONE	a c d		OPEN	OPEN	NONE	NONE
93050-0522	93049-0004	NONE	d e		OPEN	OPEN	NONE	NONE

4CCT CONTINUED ON NEXT SHEET

#### NOTES

- + DENOTES TERMINAL VOIDED POSITION  
⊕ DENOTES TERMINAL LOADED POSITION  
| DENOTES POLARIZING RIB POSITION
- MOLEX HOUSING NO. FOR REFERENCE ONLY

THIS DRAWING CONTAINS INFORMATION THAT IS PROPRIETARY TO MOLEX ELECTRONIC TECHNOLOGIES, LLC AND SHOULD NOT BE USED WITHOUT WRITTEN PERMISSION									
DIMENSION UNITS <b>mm</b>		SCALE <b>1:1</b>		CURRENT REV DESC:					
GENERAL TOLERANCES (UNLESS SPECIFIED)		EC NO: 675456 DRWN: MBN02 2021/08/24 CHK'D: MBN02 2021/08/26 APPR: SDEVITT 2021/09/28				APPLI-MATE 2.5 FEMALE G.W.T. 750 VERSION			
ANGULAR TOL ± 0.5°		4 PLACES ±		INITIAL REVISION:				PRODUCT CUSTOMER DRAWING	
3 PLACES ± 0.05		2 PLACES ± 0.1		DRWN: CFISHER01 2015/11/24				DOCUMENT NUMBER	
1 PLACE ± 0.2		0 PLACES ±		APPR: MSHANAHAN 2016/01/20				<b>930500001</b>	
DRAFT WHERE APPLICABLE MUST REMAIN WITHIN DIMENSIONS		THIRD ANGLE PROJECTION		DRAWING		SERIES		MATERIAL NUMBER	
				<b>A2-SIZE</b>		<b>93050</b>		SEE TABLE	
				CUSTOMER		GENERAL MARKET		SHEET NUMBER	
								<b>7 OF 17</b>	

# 4 CIRCUIT

PART NUMBER	HOUSING USED	TERMINAL VOID POSITION	REMOVED POSITION KEYS	CONFIGURATION	FIRST ENDWALL	LAST ENDWALL	POLARIZING RIB BETWEEN	COLOUR STRIPE
93050-0523	93049-0044	NONE	NONE		OPEN	CLOSED	NONE	NONE
93050-0525	93049-0004	CCT 2	b c		OPEN	OPEN	NONE	NONE
93050-0526	93049-0004	CCT 2	a d		OPEN	OPEN	NONE	NONE
93050-0527	93049-0004	NONE	c e		OPEN	OPEN	NONE	NONE
93050-0528	93049-0004	CCT 2	d e		OPEN	OPEN	NONE	NONE
93050-0529	93049-0004	NONE	b c d		OPEN	OPEN	NONE	NONE
93050-0530	93049-0004	NONE	c		OPEN	OPEN	NONE	NONE
93050-0532	93049-0024	NONE	NONE		CLOSED	CLOSED	NONE	NONE
93050-0533	93049-0104	NONE	NONE		OPEN	OPEN	BETWEEN CCT 1&2	NONE
93050-0534	93049-0084	NONE	NONE		NARROW	OPEN	NONE	NONE
93050-0535	93049-0304	NONE	NONE		OPEN	OPEN	BETWEEN CCT 3&4	BLACK
93050-0536	93049-0044	NONE	b		OPEN	CLOSED	NONE	NONE
93050-0537	93049-0304	NONE	b c e		OPEN	OPEN	BETWEEN CCT 3&4	BLUE
93050-0538	93049-0004	NONE	a b d		OPEN	OPEN	NONE	NONE
93050-0540	93049-0064	NONE	b		CLOSED	OPEN	NONE	NONE
93050-0541	93049-0004	NONE	b		OPEN	OPEN	NONE	NONE
93050-0542	93049-0304	NONE	NONE		OPEN	OPEN	BETWEEN CCT 3&4	NONE
93050-0543	93049-0064	NONE	a e		CLOSED	OPEN	NONE	NONE
93050-0544	93049-0084	NONE	a e		NARROW	OPEN	NONE	NONE
93050-0545	93049-9901	NONE	a e		NARROW FLUSH	OPEN	NONE	NONE
93050-0546	93049-9901	NONE	NONE		NARROW FLUSH	OPEN	NONE	NONE
93050-0547	93049-0004	CCT 1,2	NONE		OPEN	OPEN	NONE	NONE
93050-0548	93049-0004	NONE	a c		OPEN	OPEN	NONE	RED
93050-0549	93049-0004	NONE	NONE		OPEN	OPEN	NONE	RED
93050-0550	93049-0424	NONE	NONE		CLOSED	CLOSED	BETWEEN CCT 3&4	BLACK
93050-0551	93049-0004	NONE	a b c		OPEN	OPEN	NONE	NONE
93050-0552	93049-0084	NONE	NONE		NARROW	OPEN	NONE	RED
93050-0553	93049-0224	NONE	NONE		CLOSED	CLOSED	BETWEEN CCT 2&3	NONE

## NOTES

- + DENOTES TERMINAL VOIDED POSITION  
 ⊕ DENOTES TERMINAL LOADED POSITION  
 | DENOTES POLARIZING RIB POSITION
- MOLEX HOUSING NO. FOR REFERENCE ONLY

# 4 CIRCUIT

PART NUMBER	HOUSING USED	TERMINAL VOID POSITION	REMOVED POSITION KEYS	CONFIGURATION	FIRST ENDWALL	LAST ENDWALL	POLARIZING RIB BETWEEN	COLOUR STRIPE
93050-0554	93049-0124	NONE	NONE		CLOSED	CLOSED	BETWEEN CCT 1&2	NONE
93050-0555	93049-0004	NONE	b c d		OPEN	OPEN	NONE	RED
93050-0556	93049-0004	NONE	c d		OPEN	OPEN	NONE	BLUE
93050-0557	93049-0004	NONE	b e		OPEN	OPEN	NONE	BLUE
93050-0558	93049-0004	NONE	b		OPEN	OPEN	NONE	BLUE
93050-0559	93049-0004	NONE	a e		OPEN	OPEN	NONE	NONE
93050-0560	93049-0004	NONE	b d e		OPEN	OPEN	NONE	NONE
93050-0561	93049-0004	CCT 1	a b		OPEN	OPEN	NONE	NONE
93050-0562	93049-0304	NONE	NONE		OPEN	OPEN	3&4	RED
93050-0563	93049-0004	CCT 2,3	NONE		OPEN	OPEN	NONE	NONE

THIS DRAWING CONTAINS INFORMATION THAT IS PROPRIETARY TO MOLEX ELECTRONIC TECHNOLOGIES, LLC AND SHOULD NOT BE USED WITHOUT WRITTEN PERMISSION

DIMENSION UNITS	SCALE	CURRENT REV DESC:	<b>molex</b>			
mm	1:1					
GENERAL TOLERANCES (UNLESS SPECIFIED)			APPLI-MATE 2.5 FEMALE G.W.T. 750 VERSION			
ANGULAR TOL	± 0.5°	EC NO: 675456	PRODUCT CUSTOMER DRAWING			
4 PLACES	±	DRWN: MBN02	DOCUMENT NUMBER			
3 PLACES	± 0.05	CHK'D: MBN02	930500001			
2 PLACES	± 0.1	APPR: SDEVITT	DOC TYPE   DOC PART   REVISION			
1 PLACE	± 0.2	INITIAL REVISION:	PSD   000   V1			
0 PLACES	±	DRWN: CFISHER01	MATERIAL NUMBER			
DRAFT WHERE APPLICABLE MUST REMAIN WITHIN DIMENSIONS		THIRD ANGLE PROJECTION	DRAWING	SERIES	CUSTOMER	SHEET NUMBER
			A2-SIZE	93050	GENERAL MARKET	8 OF 17



5 CIRCUIT								
PART NUMBER	HOUSING USED	TERMINAL VOID POSITION	REMOVED POSITION KEYS	CONFIGURATION	FIRST ENDWALL	LAST ENDWALL	POLARIZING RIB BETWEEN	COLOUR STRIPE
93050-1001	93049-0005	NONE	NONE		OPEN	OPEN	NONE	NONE
93050-1002	93049-0005	NONE	c d e		OPEN	OPEN	NONE	NONE
93050-1003	93049-0205	NONE	NONE		OPEN	OPEN	BETWEEN CCT 2&3	NONE
93050-1004	93049-0005	NONE	c d		OPEN	OPEN	NONE	NONE
93050-1005	93049-0005	CCT 2,3,4	e		OPEN	OPEN	NONE	NONE
93050-1006	93049-0005	CCT 1,2,4	b c d e		OPEN	OPEN	NONE	NONE
93050-1007	93049-0005	CCT 4	a f		OPEN	OPEN	NONE	NONE
93050-1008	93049-0005	NONE	d		OPEN	OPEN	NONE	NONE
93050-1009	93049-0005	CCT 2,4	NONE		OPEN	OPEN	NONE	NONE
93050-1010	93049-0005	NONE	ALL		OPEN	OPEN	NONE	NONE
93050-1011	93049-0005	CCT 1,2,4	NONE		OPEN	OPEN	NONE	NONE
93050-1012	93049-0005	CCT 2,3,4	NONE		OPEN	OPEN	NONE	NONE
93050-1013	93049-0005	NONE	a		OPEN	OPEN	NONE	NONE
93050-1014	93049-0105	NONE	NONE		OPEN	OPEN	BETWEEN CCT 1&2	NONE
93050-1016	93049-0005	CCT 4	NONE		OPEN	OPEN	NONE	NONE
93050-1017	93049-0005	NONE	a b d e f		OPEN	OPEN	NONE	NONE
93050-1018	93049-0005	NONE	b c d		OPEN	OPEN	NONE	NONE
93050-1019	93049-0005	CCT 1,2,4	a b c d e f		OPEN	OPEN	NONE	BLUE
93050-1020	93049-0005	CCT 2,3,4	a b c d e f		OPEN	OPEN	NONE	NONE
93050-1021	93049-0005	CCT 1,2,4	a d e f		OPEN	OPEN	NONE	NONE
93050-1022	93049-0005	CCT 4,5	NONE		OPEN	OPEN	NONE	NONE
93050-1023	93049-0005	CCT 5	NONE		OPEN	OPEN	NONE	NONE
93050-1024	93049-0305	NONE	NONE		OPEN	OPEN	BETWEEN CCT 3&4	BLUE
93050-1025	93049-0005	CCT 2,4	NONE		OPEN	OPEN	NONE	GREEN
93050-1026	93049-0005	CCT 2,3,4	a b c e f		OPEN	OPEN	NONE	NONE
93050-1027	93049-0005	NONE	b c d e		OPEN	OPEN	NONE	NONE
93050-1028	93049-0305	NONE	NONE		OPEN	OPEN	BETWEEN CCT 3&4	GREEN
93050-1029	93049-0105	NONE	ALL		OPEN	OPEN	BETWEEN CCT 1&2	NONE
93050-1030	93049-0005	CCT 4	c d e		OPEN	OPEN	NONE	NONE

5 CIRCUIT								
PART NUMBER	HOUSING USED	TERMINAL VOID POSITION	REMOVED POSITION KEYS	CONFIGURATION	FIRST ENDWALL	LAST ENDWALL	POLARIZING RIB BETWEEN	COLOUR STRIPE
93050-1031	93049-0005	CCT 2,3,4	a d e f		OPEN	OPEN	NONE	NONE
93050-1032	93049-0405	NONE	NONE		OPEN	OPEN	BETWEEN CCT 4&5	BROWN
93050-1033	93049-0005	CCT 2,3,4	a b d e f		OPEN	OPEN	NONE	NONE
93050-1034	93049-0005	CCT 2,3,4	b		OPEN	OPEN	NONE	NONE
93050-1035	93049-0005	NONE	a b d e		OPEN	OPEN	NONE	NONE
93050-1036	93049-0405	NONE	a c f		OPEN	OPEN	BETWEEN CCT 4&5	NONE
93050-1037	93049-0005	NONE	b e		OPEN	OPEN	NONE	RED
93050-1038	93049-0005	NONE	NONE		OPEN	OPEN	NONE	RED
93050-1039	93049-0005	NONE	a f		OPEN	OPEN	NONE	NONE
93050-1040	93049-0405	NONE	NONE		OPEN	OPEN	BETWEEN CCT 4&5	NONE
93050-1041	93049-0025	NONE	NONE		CLOSED	CLOSED	NONE	NONE
93050-1042	93049-0005	NONE	a c f		OPEN	OPEN	NONE	NONE
93050-1043	93049-0005	NONE	b d e		OPEN	OPEN	NONE	NONE
93050-1044	93049-0005	NONE	b d		OPEN	OPEN	NONE	NONE
93050-1045	93049-0005	NONE	a d e		OPEN	OPEN	NONE	NONE
93050-1046	93049-0005	NONE	a d f		OPEN	OPEN	NONE	RED
93050-1047	93049-9902	NONE	NONE		NARROW FLUSH	NARROW FLUSH	NONE	NONE
93050-1048	93049-0005	CCT 2,3,4	c d f		OPEN	OPEN	NONE	NONE
93050-1049	93049-0005	CCT 2,3,4	a b c		OPEN	OPEN	NONE	NONE
93050-1050	93049-0005	NONE	a d e f		OPEN	OPEN	NONE	NONE
93050-1051	93049-0005	NONE	a c d e		OPEN	OPEN	NONE	NONE
93050-1052	93049-0005	NONE	NONE		OPEN	OPEN	NONE	BLACK
93050-1053	93049-0405	NONE	NONE		OPEN	OPEN	BETWEEN CCT 4&5	BLUE
93050-1054	93049-0125	NONE	NONE		CLOSED	CLOSED	BETWEEN CCT 1&2	NONE

5CCT CONTINUED ON NEXT SHEET

NOTES

- + DENOTES TERMINAL VOIDED POSITION  
⊕ DENOTES TERMINAL LOADED POSITION  
| DENOTES POLARIZING RIB POSITION
- MOLEX HOUSING NO. FOR REFERENCE ONLY

THIS DRAWING CONTAINS INFORMATION THAT IS PROPRIETARY TO MOLEX ELECTRONIC TECHNOLOGIES, LLC AND SHOULD NOT BE USED WITHOUT WRITTEN PERMISSION									
DIMENSION UNITS		SCALE		CURRENT REV DESC:					
mm		1:1							
GENERAL TOLERANCES (UNLESS SPECIFIED)				<p>EC NO: 675456  DRWN: MBN02  CHK'D: MBN02  APPR: SDEVITT</p> <p>INITIAL REVISION:  DRWN: CFISHER01  APPR: MSHANAHAN</p>					
ANGULAR TOL		± 0.5°							
4 PLACES		±							
3 PLACES		± 0.05							
2 PLACES		± 0.1							
1 PLACE		± 0.2		2021/08/24		2021/08/26		2021/09/28	
DRAFT WHERE APPLICABLE MUST REMAIN WITHIN DIMENSIONS				THIRD ANGLE PROJECTION		DRAWING		SERIES	
				A2-SIZE		93050		MATERIAL NUMBER	
				SEE TABLE		CUSTOMER		SHEET NUMBER	
				GENERAL MARKET				9 OF 17	



APPLI-MATE 2.5 FEMALE G.W.T. 750 VERSION

PRODUCT CUSTOMER DRAWING

DOCUMENT NUMBER  
**930500001**

DOC TYPE  
PSD

DOC PART  
000

REVISION  
V1

5 CIRCUIT								
PART NUMBER	HOUSING USED	TERMINAL VOID POSITION	REMOVED POSITION KEYS	CONFIGURATION	FIRST ENDWALL	LAST ENDWALL	POLARIZING RIB BETWEEN	COLOUR STRIPE
93050-1055	93049-0005	CCT 2,3,4	NONE		OPEN	OPEN	NONE	RED
93050-1056	93049-0005	NONE	a c d		OPEN	OPEN	NONE	NONE
93050-1057	93049-0005	CCT 1, 2, 3	b c d		OPEN	OPEN	NONE	NONE
93050-1058	93049-0225	NONE	NONE		CLOSED	CLOSED	2&3	NONE
93050-1059	93049-0005	CCT 2,3,4	a b c		OPEN	OPEN	NONE	GREEN
93050-1060	93049-0005	CCT 2,3,4	c d f		OPEN	OPEN	NONE	BLACK
93050-1061	93049-0205	NONE	NONE		OPEN	OPEN	2&3	BROWN
93050-1062	93049-0405	NONE	NONE		OPEN	OPEN	4&5	RED
93050-1063	93049-0085	NONE	NONE		NARROW	OPEN	NONE	NONE
93050-1064	94006-0005	NONE	NONE		OPEN	OPEN	NONE	NONE
93050-1065	93049-0005	NONE	a b c		OPEN	OPEN	NONE	NONE
93050-1066	93049-0005	NONE	d e f		OPEN	OPEN	NONE	NONE

6 CIRCUIT								
PART NUMBER	HOUSING USED	TERMINAL VOID POSITION	REMOVED POSITION KEYS	CONFIGURATION	FIRST ENDWALL	LAST ENDWALL	POLARIZING RIB BETWEEN	COLOUR STRIPE
93050-1501	93049-0006	NONE	NONE		OPEN	OPEN	NONE	NONE
93050-1502	93049-0006	CCT 2,4	NONE		OPEN	OPEN	NONE	NONE
93050-1503	93049-0006	NONE	a d e f		OPEN	OPEN	NONE	NONE
93050-1504	93049-0006	CCT 2, 5	b c d e g		OPEN	OPEN	NONE	NONE
93050-1505	93049-0006	NONE	b d e g		OPEN	OPEN	NONE	NONE
93050-1506	93049-0006	NONE	g		OPEN	OPEN	NONE	NONE
93050-1507	93049-0006	NONE	b c d g		OPEN	OPEN	NONE	NONE
93050-1508	93049-0006	NONE	b c e		OPEN	OPEN	NONE	NONE
93050-1509	93049-0006	NONE	b c d e f		OPEN	OPEN	NONE	NONE
93050-1510	93049-0006	CCT 3, 5	NONE		OPEN	OPEN	NONE	NONE
93050-1511	93049-0006	CCT 4	b c		OPEN	OPEN	NONE	NONE
93050-1512	93049-0006	CCT 2,4	b d e f		OPEN	OPEN	NONE	BLUE
93050-1513	93049-0406	CCT 2,4	NONE		OPEN	OPEN	BETWEEN CCT 4&5	NONE
93050-1514	93049-0006	NONE	d e f g		OPEN	OPEN	NONE	NONE
93050-1515	93049-0006	NONE	a d		OPEN	OPEN	NONE	NONE
93050-1516	93049-0006	NONE	b e f		OPEN	OPEN	NONE	NONE
93050-1517	93049-0006	NONE	c d e		OPEN	OPEN	NONE	NONE
93050-1518	93049-0006	CCT 1,3	b d e g		OPEN	OPEN	NONE	NONE
93050-1520	93049-0006	CCT 2, 5	c e		OPEN	OPEN	NONE	NONE
93050-1521	93049-0006	NONE	c e		OPEN	OPEN	NONE	NONE
93050-1522	93049-0006	NONE	d e		OPEN	OPEN	NONE	NONE
93050-1523	93049-0006	NONE	b d		OPEN	OPEN	NONE	NONE
93050-1524	93049-0006	NONE	a c		OPEN	OPEN	NONE	NONE
93050-1525	93049-0006	CCT 2, 5	NONE		OPEN	OPEN	NONE	RED

6CCT CONTINUED ON NEXT SHEET

NOTES

- + DENOTES TERMINAL VOIDED POSITION  
⊕ DENOTES TERMINAL LOADED POSITION  
| DENOTES POLARIZING RIB POSITION
- MOLEX HOUSING NO. FOR REFERENCE ONLY

THIS DRAWING CONTAINS INFORMATION THAT IS PROPRIETARY TO MOLEX ELECTRONIC TECHNOLOGIES, LLC AND SHOULD NOT BE USED WITHOUT WRITTEN PERMISSION									
DIMENSION UNITS <b>mm</b>		SCALE <b>1:1</b>		CURRENT REV DESC:					
GENERAL TOLERANCES (UNLESS SPECIFIED)				EC NO: 675456					
ANGULAR TOL ± 0.5°		4 PLACES ±		DRWN: MBN02		2021/08/24		APPLI-MATE 2.5 FEMALE G.W.T. 750 VERSION	
3 PLACES ± 0.05		2 PLACES ± 0.1		CHK'D: MBN02		2021/08/26		PRODUCT CUSTOMER DRAWING	
1 PLACE ± 0.2		0 PLACES ±		APPR: SDEVITT		2021/09/28		DOCUMENT NUMBER	
INITIAL REVISION:				DRWN: CFISHER01		2015/11/24		930500001	
APPR: MSHANAHAN				2016/01/20		DOC TYPE		DOC PART	
DRAFT WHERE APPLICABLE MUST DIMENSIONS WITHIN DIMENSIONS		THIRD ANGLE PROJECTION		DRAWING		SERIES		MATERIAL NUMBER	
				A2-SIZE		93050		SEE TABLE	
				CUSTOMER		GENERAL MARKET		SHEET NUMBER	
								10 OF 17	

6 CIRCUIT								
PART NUMBER	HOUSING USED	TERMINAL VOID POSITION	REMOVED POSITION KEYS	CONFIGURATION	FIRST ENDWALL	LAST ENDWALL	POLARIZING RIB BETWEEN	COLOUR STRIPE
93050-1526	93049-0006	NONE	c d		OPEN	OPEN	NONE	NONE
93050-1527	93049-0006	CCT 1,2,3,4	NONE		OPEN	OPEN	NONE	NONE
93050-1528	93049-0006	NONE	c e f g		OPEN	OPEN	NONE	NONE
93050-1529	93049-0006	NONE	f		OPEN	OPEN	NONE	NONE
93050-1531	93049-0006	CCT 2, 5	b d		OPEN	OPEN	NONE	NONE
93050-1532	93049-0006	CCT 2,4	d e		OPEN	OPEN	NONE	NONE
93050-1533	93049-1426	NONE	NONE		CLOSED	CLOSED	BETWEEN CCT 1&2 2&3	NONE
93050-1534	93049-0106	NONE	NONE		OPEN	OPEN	BETWEEN CCT 1&2	BLACK
93050-1535	93049-0226	NONE	ALL		CLOSED	CLOSED	BETWEEN CCT 2&3	NONE
93050-1536	93049-0526	NONE	NONE		CLOSED	CLOSED	BETWEEN CCT 5&6	NONE
93050-1538	93049-0006	NONE	e f		OPEN	OPEN	NONE	NONE
93050-1539	93049-0006	CCT 3, 5	NONE		OPEN	OPEN	NONE	BLUE
93050-1540	93049-0006	CCT 2,4	a b f g		OPEN	OPEN	NONE	BLUE
93050-1541	93049-0006	CCT 1,2,3,4	a b f g		OPEN	OPEN	NONE	NONE
93050-1542	93049-0006	CCT 4,5,6	a b c f		OPEN	OPEN	NONE	NONE
93050-1543	93049-0006	CCT 2, 5	NONE		OPEN	OPEN	NONE	NONE
93050-1544	93049-0066	NONE	NONE		CLOSED	OPEN	NONE	NONE
93050-1545	93049-0006	NONE	d f		OPEN	OPEN	NONE	NONE
93050-1546	93049-0006	NONE	c e g		OPEN	OPEN	NONE	NONE
93050-1547	93049-0306	NONE	a b g		OPEN	OPEN	BETWEEN CCT 3&4	BLUE
93050-1548	93049-0006	CCT 4,5,6	b c f		OPEN	OPEN	NONE	NONE
93050-1549	93049-0026	CCT 2, 5	NONE		CLOSED	CLOSED	NONE	NONE
93050-1550	93049-0026	NONE	c d		CLOSED	CLOSED	NONE	NONE
93050-1551	93049-0206	NONE	NONE		OPEN	OPEN	BETWEEN CCT 2&3	NONE
93050-1552	93049-0206	NONE	NONE		OPEN	OPEN	BETWEEN CCT 2&3	RED
93050-1553	93049-0006	CCT 3, 5	c d e		OPEN	OPEN	NONE	NONE
93050-1554	93049-0006	NONE	b f g		OPEN	OPEN	NONE	NONE
93050-1555	REPLACE BY 93050-1509							
93050-1556	93049-0426	NONE	NONE		CLOSED	CLOSED	BETWEEN CCT 4&5	BROWN

6 CIRCUIT								
PART NUMBER	HOUSING USED	TERMINAL VOID POSITION	REMOVED POSITION KEYS	CONFIGURATION	FIRST ENDWALL	LAST ENDWALL	POLARIZING RIB BETWEEN	COLOUR STRIPE
93050-1557	93049-0006	NONE	c f		OPEN	OPEN	NONE	NONE
93050-1558	93049-0006	CCT 2, 5	d f		OPEN	OPEN	NONE	NONE
93050-1559	93049-0006	CCT 2,4	d e		OPEN	OPEN	NONE	GREEN
93050-1560	93049-0086	CCT 2, 5	NONE		NARROW	OPEN	NONE	NONE
93050-1561	93049-0046	CCT 2, 5	NONE		OPEN	CLOSED	NONE	NONE
93050-1562	93049-0046	NONE	c d		OPEN	CLOSED	NONE	NONE
93050-1563	93049-0006	NONE	b d f		OPEN	OPEN	NONE	BLUE
93050-1564	93049-0006	NONE	NONE		OPEN	OPEN	NONE	BLUE
93050-1565	93049-0266	NONE	NONE		CLOSED	OPEN	BETWEEN CCT 2&3	BLUE
93050-1566	93049-0426	NONE	NONE		CLOSED	CLOSED	BETWEEN CCT 4&5	NONE
93050-1567	93049-0006	NONE	a b f g		OPEN	OPEN	NONE	BLUE
93050-1568	93049-1506	NONE	c f		OPEN	OPEN	BETWEEN CCT 1&2 3&4	NONE
93050-1569	93049-0206	CCT 2, 5	NONE		OPEN	OPEN	BETWEEN CCT 2&3	NONE
93050-1570	93049-0426	NONE	NONE		CLOSED	CLOSED	BETWEEN CCT 4&5	BLACK
93050-1571	93049-0006	NONE	a c e g		OPEN	OPEN	NONE	BLACK
93050-1572	93049-0006	NONE	NONE		OPEN	OPEN	NONE	BLACK
93050-1573	93049-0006	CCT 2	NONE		OPEN	OPEN	NONE	BLACK
93050-1574	93049-0006	CCT 5	NONE		OPEN	OPEN	NONE	NONE
93050-1575	93049-0426	NONE	NONE		CLOSED	CLOSED	BETWEEN CCT 4&5	YELLOW
93050-1576	93049-0026	NONE	NONE		CLOSED	CLOSED	NONE	GREEN
93050-1577	93049-0006	NONE	NONE		OPEN	OPEN	NONE	BROWN
93050-1578	93049-0006	NONE	a c d e f g		OPEN	OPEN	NONE	NONE
93050-1579	93049-0006	CCT 5	a c d e f g		OPEN	OPEN	NONE	NONE
93050-1580	93049-0126	NONE	NONE		CLOSED	CLOSED	BETWEEN CCT 1&2	NONE

6CCT CONTINUED ON NEXT SHEET

NOTES

- + DENOTES TERMINAL VOIDED POSITION  
⊕ DENOTES TERMINAL LOADED POSITION  
| DENOTES POLARIZING RIB POSITION
- MOLEX HOUSING NO. FOR REFERENCE ONLY

THIS DRAWING CONTAINS INFORMATION THAT IS PROPRIETARY TO MOLEX ELECTRONIC TECHNOLOGIES, LLC AND SHOULD NOT BE USED WITHOUT WRITTEN PERMISSION									
DIMENSION UNITS		SCALE		CURRENT REV DESC:					
mm		1:1							
GENERAL TOLERANCES (UNLESS SPECIFIED)				EC NO: 675456				APPLI-MATE 2.5 FEMALE G.W.T. 750 VERSION	
ANGULAR TOL		± 0.5°		DRWN: MBN02		2021/08/24		PRODUCT CUSTOMER DRAWING	
4 PLACES		±		CHK'D: MBN02		2021/08/26		DOCUMENT NUMBER	
3 PLACES		± 0.05		APPR: SDEVITT		2021/09/28		930500001	
2 PLACES		± 0.1		INITIAL REVISION:				DOC TYPE   DOC PART   REVISION	
1 PLACE		± 0.2		DRWN: CFISHER01		2015/11/24		PSD   000   V1	
0 PLACES		±		APPR: MSHANAHAN		2016/01/20		SHEET NUMBER	
DRAFT WHERE APPLICABLE MUST REMAIN WITHIN DIMENSIONS				THIRD ANGLE PROJECTION		DRAWING		SERIES	
						A2-SIZE		93050	
						MATERIAL NUMBER		CUSTOMER	
						SEE TABLE		GENERAL MARKET	
								11 OF 17	

6 CIRCUIT								
PART NUMBER	HOUSING USED	TERMINAL VOID POSITION	REMOVED POSITION KEYS	CONFIGURATION	FIRST ENDWALL	LAST ENDWALL	POLARIZING RIB BETWEEN	COLOUR STRIPE
93050-1581	93049-0226	NONE	NONE		CLOSED	CLOSED	BETWEEN CCT 2&3	NONE
93050-1582	93049-0006	CCT 1	NONE		OPEN	OPEN	NONE	NONE
93050-1583	93049-0006	CCT 3,4	NONE		OPEN	OPEN	NONE	NONE
93050-1584	93049-0506	NONE	a g		OPEN	OPEN	BETWEEN CCT 5&6	NONE
93050-1585	93049-0006	NONE	d		OPEN	OPEN	NONE	NONE
93050-1586	93049-0006	NONE	a c d e g		OPEN	OPEN	NONE	NONE
93050-1587	93049-0006	NONE	a b d e g		OPEN	OPEN	NONE	NONE
93050-1588	93049-9914	NONE	NONE		NARROW FLUSH	OPEN	NONE	RED
93050-1589	93049-0006	NONE	NONE		OPEN	OPEN	NONE	GREEN
93050-1590	93049-0006	NONE	a b d f g		OPEN	OPEN	NONE	NONE
93050-1591	93049-0006	NONE	a b c d e f g		OPEN	OPEN	NONE	NONE

7 CIRCUIT								
PART NUMBER	HOUSING USED	TERMINAL VOID POSITION	REMOVED POSITION KEYS	CONFIGURATION	FIRST ENDWALL	LAST ENDWALL	POLARIZING RIB BETWEEN	COLOUR STRIPE
93050-2001	93049-0007	NONE	NONE		OPEN	OPEN	NONE	NONE
93050-2002	93049-0007	CCT 2, 3, 5	c d f h		OPEN	OPEN	NONE	NONE
93050-2003	93049-0007	NONE	a c d e f g		OPEN	OPEN	NONE	NONE
93050-2004	93049-0007	NONE	b c f h		OPEN	OPEN	NONE	NONE
93050-2005	93049-0007	NONE	b c d e f		OPEN	OPEN	NONE	NONE
93050-2006	93049-0007	CCT 3	a c e f h		OPEN	OPEN	NONE	YELLOW
93050-2007	93049-0007	NONE	a c d e f h		OPEN	OPEN	NONE	NONE
93050-2008	93049-0007	CCT 2,4,6,7	b e		OPEN	OPEN	NONE	BLUE
93050-2009	93049-0607	NONE	NONE		OPEN	OPEN	BETWEEN CCT 6&7	NONE
93050-2010	93049-0007	CCT 2,3	b c f h		OPEN	OPEN	NONE	NONE
93050-2011	93049-0007	NONE	a d		OPEN	OPEN	NONE	NONE
93050-2012	93049-0007	NONE	a b e f		OPEN	OPEN	NONE	NONE
93050-2013	93049-0007	NONE	b c d f		OPEN	OPEN	NONE	NONE
93050-2015	93049-0107	NONE	a h		OPEN	OPEN	BETWEEN CCT 1&2	NONE
93050-2016	93049-0007	NONE	a d e f h		OPEN	OPEN	NONE	NONE
93050-2017	93049-0007	NONE	b d e f h		OPEN	OPEN	NONE	NONE
93050-2018	93049-0007	NONE	a b		OPEN	OPEN	NONE	NONE
93050-2019	93049-0007	NONE	c d e f g h		OPEN	OPEN	NONE	NONE
93050-2020	93049-0227	NONE	NONE		CLOSED	CLOSED	BETWEEN CCT 2&3	NONE
93050-2022	93049-0007	CCT 2,3,4,6	NONE		OPEN	OPEN	NONE	NONE
93050-2023	93049-0027	NONE	NONE		CLOSED	CLOSED	NONE	NONE
93050-2024	93049-0207	NONE	NONE		OPEN	OPEN	BETWEEN CCT 2&3	BLUE
93050-2025	93049-0207	CCT 1,2	NONE		OPEN	OPEN	BETWEEN CCT 2&3	BLUE
93050-2026	93049-0007	CCT 2,4,6	NONE		OPEN	OPEN	NONE	NONE

7CCT CONTINUED ON NEXT SHEET

NOTES

- + DENOTES TERMINAL VOIDED POSITION  
⊕ DENOTES TERMINAL LOADED POSITION  
| DENOTES POLARIZING RIB POSITION
- MOLEX HOUSING NO. FOR REFERENCE ONLY

THIS DRAWING CONTAINS INFORMATION THAT IS PROPRIETARY TO MOLEX ELECTRONIC TECHNOLOGIES, LLC AND SHOULD NOT BE USED WITHOUT WRITTEN PERMISSION									
DIMENSION UNITS		SCALE		CURRENT REV DESC:					
mm		1:1		 APPLI-MATE 2.5 FEMALE G.W.T. 750 VERSION PRODUCT CUSTOMER DRAWING DOCUMENT NUMBER: 930500001 DOC TYPE: PSD DOC PART: 000 REVISION: V1 MATERIAL NUMBER: SEE TABLE CUSTOMER: GENERAL MARKET SHEET NUMBER: 12 OF 17					
GENERAL TOLERANCES (UNLESS SPECIFIED)									
ANGULAR TOL ± 0.5°									
4 PLACES ±		EC NO: 675456							
3 PLACES ± 0.05		DRWN: MBN02 2021/08/24							
2 PLACES ± 0.1		CHK'D: MBN02 2021/08/26							
1 PLACE ± 0.2		APPR: SDEVITT 2021/09/28							
0 PLACES ±		INITIAL REVISION:							
DRAFT WHERE APPLICABLE MUST REMAIN WITHIN DIMENSIONS		THIRD ANGLE PROJECTION		DRAWING		SERIES		MATERIAL NUMBER	
				A2-SIZE		93050		SEE TABLE	

# 7 CIRCUIT

PART NUMBER	HOUSING USED	TERMINAL VOID POSITION	REMOVED POSITION KEYS	CONFIGURATION	FIRST ENDWALL	LAST ENDWALL	POLARIZING RIB BETWEEN	COLOUR STRIPE
93050-2027	93049-0007	CCT 2,4	NONE		OPEN	OPEN	NONE	GREEN
93050-2028	93049-0007	CCT 4,7	NONE		OPEN	OPEN	NONE	BLUE
93050-2029	93049-0007	NONE	b c e f		OPEN	OPEN	NONE	NONE
93050-2030	93049-0007	NONE	b e		OPEN	OPEN	NONE	NONE
93050-2031	93049-0007	CCT 5,6,7	b e		OPEN	OPEN	NONE	NONE
93050-2032	93049-0007	CCT 5,6,7	NONE		OPEN	OPEN	NONE	NONE
93050-2033	93049-0007	NONE	a b d e g h		OPEN	OPEN	NONE	NONE
93050-2034	93049-0007	NONE	b c d e f g		OPEN	OPEN	NONE	NONE
93050-2035	93049-0007	NONE	a c f h		OPEN	OPEN	NONE	NONE
93050-2036	93049-0007	CCT 1,2,3,4,6	a c f		OPEN	OPEN	NONE	NONE
93050-2037	93049-0067	NONE	NONE		CLOSED	OPEN	NONE	NONE
93050-2038	93049-0627	NONE	NONE		CLOSED	CLOSED	BETWEEN CCT 6&7	NONE
93050-2039	93049-0007	NONE	NONE		OPEN	OPEN	NONE	BLUE
93050-2040	93049-0207	NONE	NONE		OPEN	OPEN	BETWEEN CCT 2&3	NONE
93050-2041	93049-0007	CCT 2,6	a h		OPEN	OPEN	NONE	NONE
93050-2042	93049-0007	CCT 2,6	a h		OPEN	OPEN	NONE	BLACK
93050-2043	93049-0007	CCT 1, 2, 3, 4	b c d e f g		OPEN	OPEN	NONE	NONE
93050-2044	93049-0007	CCT 6	NONE		OPEN	OPEN	NONE	NONE
93050-2045	93049-0007	NONE	a		OPEN	OPEN	NONE	NONE
93050-2046	93049-0007	NONE	a c e f h		OPEN	OPEN	NONE	NONE
93050-2047	93049-0007	NONE	a b d f g h		OPEN	OPEN	NONE	NONE
93050-2048	93049-0207	CCT 4,6	NONE		OPEN	OPEN	BETWEEN CCT 2&3	RED
93050-2049	93049-0007	CCT 2,4	NONE		OPEN	OPEN	NONE	NONE
93050-2050	93049-0007	CCT 4,6	NONE		OPEN	OPEN	NONE	NONE
93050-2051	93049-0207	CCT 4,6	NONE		OPEN	OPEN	BETWEEN CCT 2&3	NONE

## NOTES

- + DENOTES TERMINAL VOIDED POSITION  
 ⊕ DENOTES TERMINAL LOADED POSITION  
 | DENOTES POLARIZING RIB POSITION
- MOLEX HOUSING NO. FOR REFERENCE ONLY

THIS DRAWING CONTAINS INFORMATION THAT IS PROPRIETARY TO MOLEX ELECTRONIC TECHNOLOGIES, LLC AND SHOULD NOT BE USED WITHOUT WRITTEN PERMISSION											
DIMENSION UNITS	SCALE	CURRENT REV DESC:									
mm	1:1										
GENERAL TOLERANCES (UNLESS SPECIFIED)					APPLI-MATE 2.5 FEMALE G.W.T. 750 VERSION						
ANGULAR TOL	± 0.5°	EC NO: 675456									
4 PLACES	±	DRWN: MBN02			2021/08/24						
3 PLACES	± 0.05	CHK'D: MBN02			2021/08/26						
2 PLACES	± 0.1	APPR: SDEVITT			2021/09/28						
1 PLACE	± 0.2	INITIAL REVISION:									
0 PLACES	±	DRWN: CFISHER01			2015/11/24						
DRAFT WHERE APPLICABLE MUST REMAIN WITHIN DIMENSIONS		THIRD ANGLE PROJECTION		DRAWING	SERIES	MATERIAL NUMBER	CUSTOMER	DOCUMENT NUMBER	DOC TYPE	DOC PART	REVISION
				A2-SIZE	93050	SEE TABLE	GENERAL MARKET	930500001	PSD	000	V1
											SHEET NUMBER
											13 OF 17

DOCUMENT STATUS	P1	RELEASE DATE	2021/09/28	05:26:21
-----------------	----	--------------	------------	----------

# 8 CIRCUIT

PART NUMBER	HOUSING USED	TERMINAL VOID POSITION	REMOVED POSITION KEYS	CONFIGURATION	FIRST ENDWALL	LAST ENDWALL	POLARIZING RIB BETWEEN	COLOUR STRIPE
93050-2501	93049-0008	NONE	NONE		OPEN	OPEN	NONE	NONE
93050-2502	93049-0008	CCT 2,5,7	b c d f g h i		OPEN	OPEN	NONE	NONE
93050-2503	93049-0008	NONE	c f h i		OPEN	OPEN	NONE	NONE
93050-2504	93049-0608	NONE	NONE		OPEN	OPEN	BETWEEN CCT 6&7	BLUE
93050-2505	93049-0708	NONE	NONE		OPEN	OPEN	BETWEEN CCT 7&8	BLUE
93050-2506	93049-0008	NONE	b c d g h i		OPEN	OPEN	NONE	NONE
93050-2508	93049-0608	NONE	NONE		OPEN	OPEN	BETWEEN CCT 6&7	NONE
93050-2509	93049-0008	CCT 1,2,5	a b d f h i		OPEN	OPEN	NONE	NONE
93050-2751	93049-0048	NONE	NONE		OPEN	CLOSED	NONE	NONE
93050-2752	93049-0008	CCT 1,2,7,8	a b d f h i		OPEN	OPEN	NONE	BLACK
93050-2753	93049-1308	NONE	NONE		OPEN	OPEN	BETWEEN CCT 1&2-7&8	NONE
93050-2754	93049-0568	NONE	NONE		CLOSED	OPEN	BETWEEN CCT 5&6	NONE
93050-2510	93049-0008	NONE	a b c d g h		OPEN	OPEN	NONE	NONE
93050-2511	93049-0008	NONE	a c d e g h i		OPEN	OPEN	NONE	NONE
93050-2512	93049-0728	NONE	NONE		CLOSED	CLOSED	BETWEEN CCT 7&8	NONE
93050-2513	93049-0008	NONE	b c d h i		OPEN	OPEN	NONE	NONE
93050-2516	93049-0008	CCT 2,4	NONE		OPEN	OPEN	NONE	NONE
93050-2517	93049-0008	5, 7	NONE		OPEN	OPEN	NONE	NONE
93050-2518	93049-0008	CCT 2	NONE		OPEN	OPEN	NONE	NONE
93050-2519	93049-0068	5, 7	NONE		CLOSED	OPEN	NONE	NONE
93050-2520	93049-0208	CCT 2,4	NONE		OPEN	OPEN	BETWEEN CCT 2&3	RED
93050-2521	93049-0308	NONE	NONE		OPEN	OPEN	BETWEEN CCT 3&4	NONE
93050-2522	93049-0008	NONE	c h i		OPEN	OPEN	NONE	NONE
93050-2523	93049-0088	5, 7	NONE		NARROW	OPEN	NONE	NONE
93050-2524	93049-0328	NONE	NONE		CLOSED	CLOSED	BETWEEN CCT 3&4	NONE
93050-2525	93049-0008	NONE	a b c g h i		OPEN	OPEN	NONE	NONE
93050-2526	93049-0208	CCT 2,5	NONE		OPEN	OPEN	BETWEEN CCT 2&3	BLUE
93050-2527	93049-0008	CCT 3,4,5	NONE		OPEN	OPEN	NONE	NONE

# 8 CIRCUIT

PART NUMBER	HOUSING USED	TERMINAL VOID POSITION	REMOVED POSITION KEYS	CONFIGURATION	FIRST ENDWALL	LAST ENDWALL	POLARIZING RIB BETWEEN	COLOUR STRIPE
93050-2528	93049-0008	CCT 4,5,6	NONE		OPEN	OPEN	NONE	NONE
93050-2529	93049-0008	CCT 2,6	NONE		OPEN	OPEN	NONE	NONE
93050-2530	93049-0008	NONE	a e f g h i		OPEN	OPEN	NONE	NONE
93050-2531	93049-0628	NONE	NONE		CLOSED	CLOSED	BETWEEN CCT 6&7	NONE
93050-2532	93049-0008	NONE	b c d e f g h		OPEN	OPEN	NONE	NONE
93050-2533	93049-0068	NONE	NONE		CLOSED	CLOSED	NONE	NONE

## NOTES

- + DENOTES TERMINAL VOIDED POSITION  
⊕ DENOTES TERMINAL LOADED POSITION  
| DENOTES POLARIZING RIB POSITION
- MOLEX HOUSING NO. FOR REFERENCE ONLY

THIS DRAWING CONTAINS INFORMATION THAT IS PROPRIETARY TO MOLEX ELECTRONIC TECHNOLOGIES, LLC AND SHOULD NOT BE USED WITHOUT WRITTEN PERMISSION													
DIMENSION UNITS		SCALE		CURRENT REV DESC:									
mm		1:1		 APPLI-MATE 2.5 FEMALE G.W.T. 750 VERSION PRODUCT CUSTOMER DRAWING									
GENERAL TOLERANCES (UNLESS SPECIFIED)										EC NO: 675456		2021/08/24	
ANGULAR TOL		± 0.5°								DRWN: MBN02		2021/08/26	
4 PLACES		±								CHK'D: MBN02		2021/08/26	
3 PLACES		± 0.05		APPR: SDEVITT		2021/09/28		DOCUMENT NUMBER					
2 PLACES		± 0.1		INITIAL REVISION:		2015/11/24		930500001					
1 PLACE		± 0.2		DRWN: CFISHER01		2016/01/20		DOC TYPE   DOC PART   REVISION					
0 PLACES		±		APPR: MSHANAHAN				PSD   000   V1					
DRAFT WHERE APPLICABLE MUST REMAIN WITHIN DIMENSIONS				THIRD ANGLE PROJECTION		DRAWING		SHEET NUMBER					
						A2-SIZE		14 OF 17					
				SERIES		MATERIAL NUMBER		CUSTOMER					
				93050		SEE TABLE		GENERAL MARKET					

DOCUMENT STATUS	P1	RELEASE DATE	2021/09/28	05:26:21
-----------------	----	--------------	------------	----------

9 CIRCUIT								
PART NUMBER	HOUSING USED	TERMINAL VOID POSITION	REMOVED POSITION KEYS	CONFIGURATION	FIRST ENDWALL	LAST ENDWALL	POLARIZING RIB BETWEEN	COLOUR STRIPE
93050-3001	93049-0009	NONE	NONE	□□□□□□□□□□ ⊕⊕⊕⊕⊕⊕⊕⊕⊕⊕ 1 2 3 4 5 6 7 8 9	OPEN	OPEN	NONE	NONE
93050-3002	93049-0009	CCT 3, 5, 8	b c d e f g h i	□ b c d e f g h i □ ⊕⊕⊕⊕⊕⊕⊕⊕⊕⊕ 1 2 3 4 5 6 7 8 9	OPEN	OPEN	NONE	NONE
93050-3003	93049-0809	NONE	NONE	□□□□□□□□□□ ⊕⊕⊕⊕⊕⊕⊕⊕⊕⊕ 1 2 3 4 5 6 7 8 9	OPEN	OPEN	BETWEEN CCT 8&9	NONE
93050-3004	93049-0409	NONE	NONE	□□□□□□□□□□ ⊕⊕⊕⊕⊕⊕⊕⊕⊕⊕ 1 2 3 4 5 6 7 8 9	OPEN	OPEN	BETWEEN CCT 4&5	NONE
93050-3005	93049-0009	CCT 2, 5, 8	b c h i	□ b c □ □ □ □ h i □ ⊕⊕⊕⊕⊕⊕⊕⊕⊕⊕ 1 2 3 4 5 6 7 8 9	OPEN	OPEN	NONE	NONE
93050-3006	93049-0009	NONE	b c h i	□ b c □ □ □ □ h i □ ⊕⊕⊕⊕⊕⊕⊕⊕⊕⊕ 1 2 3 4 5 6 7 8 9	OPEN	OPEN	NONE	NONE
93050-3007	93049-0009	CCT 3, 5, 8	NONE	□□□□□□□□□□ ⊕⊕⊕⊕⊕⊕⊕⊕⊕⊕ 1 2 3 4 5 6 7 8 9	OPEN	OPEN	NONE	BLUE
93050-3008	93049-0829	NONE	NONE	□□□□□□□□□□ ⊕⊕⊕⊕⊕⊕⊕⊕⊕⊕ 1 2 3 4 5 6 7 8 9	CLOSED	CLOSED	BETWEEN CCT 8&9	NONE
93050-3010	93049-0009	CCT 3,5,7,8,9	NONE	□□□□□□□□□□ ⊕⊕⊕⊕⊕⊕⊕⊕⊕⊕ 1 2 3 4 5 6 7 8 9	OPEN	OPEN	NONE	NONE
93050-3011	93049-0309	NONE	NONE	□□□□□□□□□□ ⊕⊕⊕⊕⊕⊕⊕⊕⊕⊕ 1 2 3 4 5 6 7 8 9	OPEN	OPEN	BETWEEN CCT 3&4	NONE
93050-3012	93049-0209	NONE	NONE	□□□□□□□□□□ ⊕⊕⊕⊕⊕⊕⊕⊕⊕⊕ 1 2 3 4 5 6 7 8 9	OPEN	OPEN	BETWEEN CCT 2&3	NONE
93050-3013	93049-0509	NONE	NONE	□□□□□□□□□□ ⊕⊕⊕⊕⊕⊕⊕⊕⊕⊕ 1 2 3 4 5 6 7 8 9	OPEN	OPEN	BETWEEN CCT 5&6	NONE
93050-3014	93049-0009	CCT 2, 5, 8	NONE	□□□□□□□□□□ ⊕⊕⊕⊕⊕⊕⊕⊕⊕⊕ 1 2 3 4 5 6 7 8 9	OPEN	OPEN	NONE	NONE
93050-3015	93049-0009	NONE	a b c d e f g h j	□ a b c d e f g h j □ ⊕⊕⊕⊕⊕⊕⊕⊕⊕⊕ 1 2 3 4 5 6 7 8 9	OPEN	OPEN	NONE	NONE
93050-3016	93049-0009	CKT 1,5	a d f g i	□ a □ □ d □ f g □ i □ ⊕⊕⊕⊕⊕⊕⊕⊕⊕⊕ 1 2 3 4 5 6 7 8 9	OPEN	OPEN	NONE	RED
93050-3017	93049-0009	CKT 1,5	NONE	□□□□□□□□□□ ⊕⊕⊕⊕⊕⊕⊕⊕⊕⊕ 1 2 3 4 5 6 7 8 9	OPEN	OPEN	NONE	RED
93050-3018	93049-0009	CCT 2,4	a d f g i	□ a □ □ d □ f g □ i □ ⊕⊕⊕⊕⊕⊕⊕⊕⊕⊕ 1 2 3 4 5 6 7 8 9	OPEN	OPEN	NONE	RED
93050-3019	93049-0009	CCT 2,4	NONE	□□□□□□□□□□ ⊕⊕⊕⊕⊕⊕⊕⊕⊕⊕ 1 2 3 4 5 6 7 8 9	OPEN	OPEN	NONE	RED
93050-3020	93049-0009	CKT 1,5	a d f g i	□ a □ □ d □ f g □ i □ ⊕⊕⊕⊕⊕⊕⊕⊕⊕⊕ 1 2 3 4 5 6 7 8 9	OPEN	OPEN	NONE	GREEN
93050-3021	93049-0009	CKT 1,5	NONE	□□□□□□□□□□ ⊕⊕⊕⊕⊕⊕⊕⊕⊕⊕ 1 2 3 4 5 6 7 8 9	OPEN	OPEN	NONE	GREEN
93050-3022	93049-0009	CKT 1,5	a c d f h j	□ a □ c d □ f □ h □ j □ ⊕⊕⊕⊕⊕⊕⊕⊕⊕⊕ 1 2 3 4 5 6 7 8 9	OPEN	OPEN	NONE	GREEN
93050-3023	93049-0009	CKT 1,5	a c d f h j	□ a □ c d □ f □ h □ j □ ⊕⊕⊕⊕⊕⊕⊕⊕⊕⊕ 1 2 3 4 5 6 7 8 9	OPEN	OPEN	NONE	RED
93050-3024	93049-0009	CKT 3,5,8	c d e i j	□ □ c d e □ □ □ i j □ ⊕⊕⊕⊕⊕⊕⊕⊕⊕⊕ 1 2 3 4 5 6 7 8 9	OPEN	OPEN	NONE	BLUE
93050-3025	93049-0009	CKT 2,4	a c d f h j	□ a □ c d □ f □ h □ j □ ⊕⊕⊕⊕⊕⊕⊕⊕⊕⊕ 1 2 3 4 5 6 7 8 9	OPEN	OPEN	NONE	RED
93050-3026	93049-0069	NONE	NONE	□□□□□□□□□□ ⊕⊕⊕⊕⊕⊕⊕⊕⊕⊕ 1 2 3 4 5 6 7 8 9	CLOSED	OPEN	NONE	NONE

+

10 CIRCUIT								
PART NUMBER	HOUSING USED	TERMINAL VOID POSITION	REMOVED POSITION KEYS	CONFIGURATION	FIRST ENDWALL	LAST ENDWALL	POLARIZING RIB BETWEEN	COLOUR STRIPE
93050-3501	93049-0010	NONE	NONE	□□□□□□□□□□ ⊕⊕⊕⊕⊕⊕⊕⊕⊕⊕ 1 2 3 4 5 6 7 8 9 10	OPEN	OPEN	NONE	NONE
93050-3502	93049-0110	NONE	NONE	□□□□□□□□□□ ⊕⊕⊕⊕⊕⊕⊕⊕⊕⊕ 1 2 3 4 5 6 7 8 9 10	OPEN	OPEN	BETWEEN CCT 1&2	NONE
93050-3503	93049-0010	CCT 2, 9	NONE	□□□□□□□□□□ ⊕⊕⊕⊕⊕⊕⊕⊕⊕⊕ 1 2 3 4 5 6 7 8 9 10	OPEN	OPEN	NONE	BLUE
93050-3504	93049-0010	CCT 2, 5, 7, 9	NONE	□□□□□□□□□□ ⊕⊕⊕⊕⊕⊕⊕⊕⊕⊕ 1 2 3 4 5 6 7 8 9 10	OPEN	OPEN	NONE	NONE
93050-3505	93049-0010	CCT 2, 4, 6, 9	NONE	□□□□□□□□□□ ⊕⊕⊕⊕⊕⊕⊕⊕⊕⊕ 1 2 3 4 5 6 7 8 9 10	OPEN	OPEN	NONE	NONE
93050-3506	93049-0930	NONE	NONE	□□□□□□□□□□ ⊕⊕⊕⊕⊕⊕⊕⊕⊕⊕ 1 2 3 4 5 6 7 8 9 10	CLOSED	CLOSED	BETWEEN CCT 9&10	NONE
93050-3507	93049-0030	NONE	NONE	□□□□□□□□□□ ⊕⊕⊕⊕⊕⊕⊕⊕⊕⊕ 1 2 3 4 5 6 7 8 9 10	CLOSED	CLOSED	NONE	NONE
93050-3508	93049-0010	CCT 2,5,7,9	b c d e f g h i j	□ b c d e f g h i j □ ⊕⊕⊕⊕⊕⊕⊕⊕⊕⊕ 1 2 3 4 5 6 7 8 9 10	OPEN	OPEN	NONE	BLUE
93050-3509	93049-0010	CCT 2,4,6,9	c d e f g h i	□ □ c d e f g h i □ □ ⊕⊕⊕⊕⊕⊕⊕⊕⊕⊕ 1 2 3 4 5 6 7 8 9 10	OPEN	OPEN	NONE	BLUE
93050-3510	93049-0010	CCT 2,6,9	NONE	□□□□□□□□□□ ⊕⊕⊕⊕⊕⊕⊕⊕⊕⊕ 1 2 3 4 5 6 7 8 9 10	OPEN	OPEN	NONE	NONE
93050-3511	93049-0010	CCT 2, 5, 7, 9	NONE	□□□□□□□□□□ ⊕⊕⊕⊕⊕⊕⊕⊕⊕⊕ 1 2 3 4 5 6 7 8 9 10	OPEN	OPEN	NONE	BLUE
93050-3512	93049-0010	CCT 2,4,6,9	NONE	□□□□□□□□□□ ⊕⊕⊕⊕⊕⊕⊕⊕⊕⊕ 1 2 3 4 5 6 7 8 9 10	OPEN	OPEN	NONE	BLUE
93050-3513	93049-0710	NONE	NONE	□□□□□□□□□□ ⊕⊕⊕⊕⊕⊕⊕⊕⊕⊕ 1 2 3 4 5 6 7 8 9 10	OPEN	OPEN	BETWEEN CCT 7&8	NONE
93050-3514	93049-0010	NONE	NONE	□□□□□□□□□□ ⊕⊕⊕⊕⊕⊕⊕⊕⊕⊕ 1 2 3 4 5 6 7 8 9 10	OPEN	OPEN	NONE	BLUE
93050-3515	93049-0910	CCT 2, 4, 6, 9	d e f g h	□ □ d e f g h □ □ □ □ ⊕⊕⊕⊕⊕⊕⊕⊕⊕⊕ 1 2 3 4 5 6 7 8 9 10	OPEN	OPEN	BETWEEN CCT 9&10	NONE
93050-3516	93049-0010	NONE	b c d e f g h i j	□ b c d e f g h i j □ ⊕⊕⊕⊕⊕⊕⊕⊕⊕⊕ 1 2 3 4 5 6 7 8 9 10	OPEN	OPEN	NONE	NONE
93050-3517	93049-0230	NONE	NONE	□□□□□□□□□□ ⊕⊕⊕⊕⊕⊕⊕⊕⊕⊕ 1 2 3 4 5 6 7 8 9 10	CLOSED	CLOSED	BETWEEN CCT 2&3	NONE
93050-3518	93049-0130	NONE	NONE	□□□□□□□□□□ ⊕⊕⊕⊕⊕⊕⊕⊕⊕⊕ 1 2 3 4 5 6 7 8 9 10	CLOSED	CLOSED	BETWEEN CCT 1&2	NONE
93050-3519	93049-0330	NONE	NONE	□□□□□□□□□□ ⊕⊕⊕⊕⊕⊕⊕⊕⊕⊕ 1 2 3 4 5 6 7 8 9 10	CLOSED	CLOSED	BETWEEN CCT 3&4	NONE
93050-3520	93049-0410	NONE	NONE	□□□□□□□□□□ ⊕⊕⊕⊕⊕⊕⊕⊕⊕⊕ 1 2 3 4 5 6 7 8 9 10	OPEN	OPEN	BETWEEN CCT 4&5	NONE
93050-3521	93049-0210	NONE	a b d f h i j k	□ a b □ d □ f □ h i j k □ ⊕⊕⊕⊕⊕⊕⊕⊕⊕⊕ 1 2 3 4 5 6 7 8 9 10	OPEN	OPEN	BETWEEN CCT 2&3	NONE
93050-3522	93049-0010	CCT 2, 3, 5, 7, 9	NONE	□□□□□□□□□□ ⊕⊕⊕⊕⊕⊕⊕⊕⊕⊕ 1 2 3 4 5 6 7 8 9 10	OPEN	OPEN	NONE	NONE

NOTES

- 1. + DENOTES TERMINAL VOIDED POSITION
- ⊕ DENOTES TERMINAL LOADED POSITION
- DENOTES POLARIZING RIB POSITION
- 2. MOLEX HOUSING NO. FOR REFERENCE ONLY

THIS DRAWING CONTAINS INFORMATION THAT IS PROPRIETARY TO MOLEX ELECTRONIC TECHNOLOGIES, LLC AND SHOULD NOT BE USED WITHOUT WRITTEN PERMISSION

DIMENSION UNITS <b>mm</b>	SCALE <b>1:1</b>	CURRENT REV DESC:	<b>molex</b>			
GENERAL TOLERANCES (UNLESS SPECIFIED)		APPLI-MATE 2.5 FEMALE G.W.T. 750 VERSION				
ANGULAR TOL ± 0.5°	4 PLACES ±	EC NO: 675456	PRODUCT CUSTOMER DRAWING			
3 PLACES ± 0.05	2 PLACES ± 0.1	DRWN: MBN02 2021/08/24	DOCUMENT NUMBER	DOC TYPE	DOC PART	REVISION
1 PLACE ± 0.2	0 PLACES ±	CHK'D: MBN02 2021/08/26	<b>930500001</b>	PSD	000	V1
DRAFT WHERE APPLICABLE MUST REMAIN WITHIN DIMENSIONS		APPR: SDEVITT 2021/09/28				
		INITIAL REVISION: DRWN: CFISHER01 2015/11/24	SEE TABLE	GENERAL MARKET	15 OF 17	
		APPR: MSHANAHAN 2016/01/20				



11 CIRCUIT								
PART NUMBER	HOUSING USED	TERMINAL VOID POSITION	REMOVED POSITION KEYS	CONFIGURATION	FIRST ENDWALL	LAST ENDWALL	POLARIZING RIB BETWEEN	COLOUR STRIPE
93050-4001	93049-0011	NONE	NONE		OPEN	OPEN	NONE	NONE
93050-4002	93049-0911	NONE	bcdefghijk		OPEN	OPEN	BETWEEN CCT 9&10	BLUE
93050-4003	93049-0011	NONE	bcdghijk		OPEN	OPEN	NONE	NONE
93050-4004	93049-0011	CCT 4, 6, 8, 10	NONE		OPEN	OPEN	NONE	NONE
93050-4005	93049-0011	CCT 4,6,8,10	bcdefghijk		OPEN	OPEN	NONE	NONE
93050-4006	93049-0011	CCT 4, 6, 8, 10	NONE		OPEN	OPEN	NONE	ORANGE
93050-4007	93049-0911	NONE	NONE		OPEN	OPEN	BETWEEN CCT 9&10	NONE
93050-4008	93049-0031	NONE	NONE		CLOSED	CLOSED	NONE	NONE
93050-4009	93049-0511	NONE	NONE		OPEN	OPEN	BETWEEN CCT 5&6	NONE
93050-4010	93049-0211	CCT 2, 4, 6	NONE		OPEN	OPEN	BETWEEN CCT 2&3	NONE
93050-4011	93049-0011	CCT 2, 4, 6, 7, 8, 10	cefgikl		OPEN	OPEN	NONE	BLACK
93050-4012	93049-0011	CCT 2, 4, 6, 7, 8, 10	NONE		OPEN	OPEN	NONE	BLACK
93050-4013	93049-0011	CCT 2, 4, 6, 9	NONE		OPEN	OPEN	NONE	BLUE
93050-4014	93049-0011	CCT 4, 5, 6, 8, 10	NONE		OPEN	OPEN	NONE	NONE
93050-4015	93049-0011	CCT 4, 5, 6, 7, 8, 9, 10, 11	bcdefghijk		OPEN	OPEN	NONE	NONE
93050-4016	93049-0011	Cct 2, 4, 6, 7, 8, 10	bdefhj		OPEN	OPEN	NONE	BLACK
93050-4017	93049-0211	NONE	NONE		OPEN	OPEN	BETWEEN CCT 2&3	NONE

12 CIRCUIT													
PART NUMBER	HOUSING USED	TERMINAL VOID POSITION	REMOVED POSITION KEYS	CONFIGURATION	FIRST ENDWALL	LAST ENDWALL	POLARIZING RIB BETWEEN	COLOUR STRIPE					
93050-4501	93049-0012	NONE	NONE		OPEN	OPEN	NONE	NONE					
93050-4502	93049-0072	NONE	bcd fhikl		CLOSED	OPEN	NONE	NONE					
93050-4503	93049-0032	NONE	NONE		CLOSED	CLOSED	NONE	NONE					
93050-4504	93049-0072	NONE	NONE		CLOSED	OPEN	NONE	NONE					
93050-4506	93049-0092	NONE	NONE		NARROW	OPEN	NONE	NONE					
93050-4507	93049-0012	NONE	adfgikm		OPEN	OPEN	NONE	RED					
93050-4508	93049-0012	NONE	NONE		OPEN	OPEN	NONE	RED					
93050-4509	93049-0012	CCT 1, 2	adfgikm		OPEN	OPEN	NONE	GREEN					
93050-4510	93049-0132	NONE	NONE		CLOSED	CLOSED	BETWEEN CCT 1&2	NONE					

13 CIRCUIT													
PART NUMBER	HOUSING USED	TERMINAL VOID POSITION	REMOVED POSITION KEYS	CONFIGURATION	FIRST ENDWALL	LAST ENDWALL	POLARIZING RIB BETWEEN	COLOUR STRIPE					
93050-5001	93049-0013	NONE	NONE		OPEN	OPEN	NONE	NONE					
93050-5002	93049-0213	CCT 2,5,7,12	an		OPEN	OPEN	BETWEEN CCT 2&3	NONE					
93050-5003	93049-0053	NONE	NONE		OPEN	CLOSED	NONE	NONE					
93050-5004	93049-0013	CCT 4,6,8,10,12	NONE		OPEN	OPEN	NONE	NONE					
93050-5005	93049-0033	NONE	NONE		CLOSED	CLOSED	NONE	NONE					
93050-5006	93049-0013	CCT 9,10,11	NONE		OPEN	OPEN	NONE	NONE					
93050-5007	93049-0213	NONE	NONE		OPEN	OPEN	BETWEEN CCT 2&3	NONE					

NOTES

- + DENOTES TERMINAL VOIDED POSITION  
⊕ DENOTES TERMINAL LOADED POSITION  
| DENOTES POLARIZING RIB POSITION
- MOLEX HOUSING NO. FOR REFERENCE ONLY

THIS DRAWING CONTAINS INFORMATION THAT IS PROPRIETARY TO MOLEX ELECTRONIC TECHNOLOGIES, LLC AND SHOULD NOT BE USED WITHOUT WRITTEN PERMISSION															
DIMENSION UNITS		SCALE		CURRENT REV DESC:											
mm		1:1													
GENERAL TOLERANCES (UNLESS SPECIFIED)															
ANGULAR TOL ± 0.5°				EC NO: 675456											
4 PLACES ±				DRWN: MBN02 2021/08/24											
3 PLACES ± 0.05				CHK'D: MBN02 2021/08/26											
2 PLACES ± 0.1				APPR: SDEVITT 2021/09/28											
1 PLACE ± 0.2				INITIAL REVISION:											
0 PLACES ±				DRWN: CFISHER01 2015/11/24											
				APPR: MSHANAHAN 2016/01/20											
DRAFT WHERE APPLICABLE MUST REMAIN WITHIN DIMENSIONS				THIRD ANGLE PROJECTION		DRAWING		SERIES		MATERIAL NUMBER		CUSTOMER		SHEET NUMBER	
						A2-SIZE		93050		SEE TABLE		GENERAL MARKET		16 OF 17	
				APPLI-MATE 2.5 FEMALE G.W.T. 750 VERSION											
				PRODUCT CUSTOMER DRAWING											
				DOCUMENT NUMBER				DOC TYPE		DOC PART		REVISION			
				930500001				PSD		000		V1			



14 CIRCUIT								
PART NUMBER	HOUSING USED	TERMINAL VOID POSITION	REMOVED POSITION KEYS	CONFIGURATION	FIRST ENDWALL	LAST ENDWALL	POLARIZING RIB BETWEEN	COLOUR STRIPE
93050-5501	93049-0014	NONE	NONE		OPEN	OPEN	NONE	NONE
93050-5502	93049-1434	NONE	NONE		CLOSED	CLOSED	BETWEEN CCT 13&14	NONE
93050-5503	93049-0014	CCT 7, 8, 9, 10	ALL		OPEN	OPEN	NONE	BLUE
93050-5504	93049-0034	NONE	NONE		CLOSED	CLOSED	NONE	NONE
93050-5505	93049-0134	NONE	NONE		CLOSED	CLOSED	BETWEEN CCT 1&2	NONE
93050-5506	93049-0534	NONE	NONE		CLOSED	CLOSED	BETWEEN CCT 5&6	NONE
93050-5507	93049-0074	NONE	NONE		CLOSED	OPEN	NONE	NONE
93050-5508	93049-0214	NONE	NONE		OPEN	OPEN	BETWEEN CCT 2 & 3	NONE

15 CIRCUIT								
PART NUMBER	HOUSING USED	TERMINAL VOID POSITION	REMOVED POSITION KEYS	CONFIGURATION	FIRST ENDWALL	LAST ENDWALL	POLARIZING RIB BETWEEN	COLOUR STRIPE
93050-6001	93049-0015	NONE	NONE		OPEN	OPEN	NONE	NONE
93050-6002	93049-0215	CCT 10,12,14	NONE		OPEN	OPEN	BETWEEN CCT 2&3	NONE
93050-6003	93049-0035	NONE	NONE		CLOSED	CLOSED	NONE	NONE
93050-6004	93049-0735	NONE	NONE		CLOSED	CLOSED	BETWEEN CCT 7&8	NONE

16 CIRCUIT								
PART NUMBER	HOUSING USED	TERMINAL VOID POSITION	REMOVED POSITION KEYS	CONFIGURATION	FIRST ENDWALL	LAST ENDWALL	POLARIZING RIB BETWEEN	COLOUR STRIPE
93050-6501	93049-0016	NONE	NONE		OPEN	OPEN	NONE	NONE
93050-6502	93049-0636	NONE	NONE		CLOSED	CLOSED	BETWEEN CCT 6&7	NONE
93050-6503	93049-1116	NONE	NONE		OPEN	OPEN	BETWEEN CCT 11&12	NONE

17 CIRCUIT													
PART NUMBER	HOUSING USED	TERMINAL VOID POSITION	REMOVED POSITION KEYS	CONFIGURATION	FIRST ENDWALL	LAST ENDWALL	POLARIZING RIB BETWEEN	COLOUR STRIPE					
93050-7001	93049-0017	NONE	NONE		OPEN	OPEN	NONE	NONE					
93050-7002	93049-0037	NONE	NONE		CLOSED	CLOSED	NONE	NONE					
93050-7003	93049-1017	NONE	NONE		OPEN	OPEN	10 & 11	NONE					

18 CIRCUIT													
PART NUMBER	HOUSING USED	TERMINAL VOID POSITION	REMOVED POSITION KEYS	CONFIGURATION	FIRST ENDWALL	LAST ENDWALL	POLARIZING RIB BETWEEN	COLOUR STRIPE					
93050-7501	93049-0018	NONE	NONE		OPEN	OPEN	NONE	NONE					

19 CIRCUIT													
PART NUMBER	HOUSING USED	TERMINAL VOID POSITION	REMOVED POSITION KEYS	CONFIGURATION	FIRST ENDWALL	LAST ENDWALL	POLARIZING RIB BETWEEN	COLOUR STRIPE					
93050-8001	93049-0019	NONE	NONE		OPEN	OPEN	NONE	NONE					
93050-8002	93049-0219	NONE	ALL		OPEN	OPEN	BETWEEN CCT 2&3	NONE					
93050-8003	93049-9910	NONE	ALL		NARROW FLUSH	NARROW FLUSH	NONE	NONE					

20 CIRCUIT													
PART NUMBER	HOUSING USED	TERMINAL VOID POSITION	REMOVED POSITION KEYS	CONFIGURATION	FIRST ENDWALL	LAST ENDWALL	POLARIZING RIB BETWEEN	COLOUR STRIPE					
93050-8501	93049-0020	NONE	NONE		OPEN	OPEN	NONE	NONE					
93050-8502	93049-0520	NONE	NONE		OPEN	OPEN	BETWEEN CCT 5&6	NONE					
93050-8503	93049-0380	NONE	NONE		CLOSED	OPEN	BETWEEN CCT 3&4	NONE					
93050-8504	93049-0380	NONE	NONE		CLOSED	OPEN	BETWEEN CCT 3&4	BLUE					
93050-8505	93049-0040	NONE	NONE		CLOSED	CLOSED	NONE	NONE					

NOTES

- + DENOTES TERMINAL VOIDED POSITION
  - ⊕ DENOTES TERMINAL LOADED POSITION
  - | DENOTES POLARIZING RIB POSITION
2. MOLEX HOUSING NO. FOR REFERENCE ONLY

THIS DRAWING CONTAINS INFORMATION THAT IS PROPRIETARY TO MOLEX ELECTRONIC TECHNOLOGIES, LLC AND SHOULD NOT BE USED WITHOUT WRITTEN PERMISSION																			
DIMENSION UNITS		SCALE		CURRENT REV DESC:															
mm		1:1		<p><b>molex</b></p> <p>APPLI-MATE 2.5 FEMALE G.W.T. 750 VERSION</p> <p>PRODUCT CUSTOMER DRAWING</p>															
GENERAL TOLERANCES (UNLESS SPECIFIED)				EC NO: 675456				2021/08/24				DOCUMENT NUMBER		DOC TYPE		DOC PART		REVISION	
ANGULAR TOL ± 0.5°				4 PLACES ±				DRWN: MBN02				2021/08/26		PSD		000		V1	
3 PLACES ± 0.05				APPR: SDEVITT				2021/09/28				930500001							
2 PLACES ± 0.1				INITIAL REVISION:				2015/11/24				MATERIAL NUMBER		CUSTOMER		SHEET NUMBER			
1 PLACE ± 0.2				DRWN: CFISHER01				2016/01/20				SEE TABLE		GENERAL MARKET		17 OF 17			
0 PLACES ±				DRAFT WHERE APPLICABLE MUST REMAIN WITHIN DIMENSIONS		THIRD ANGLE PROJECTION		DRAWING		SERIES		MATERIAL NUMBER		CUSTOMER		SHEET NUMBER			
				A2-SIZE		93050		SEE TABLE		GENERAL MARKET		17 OF 17							