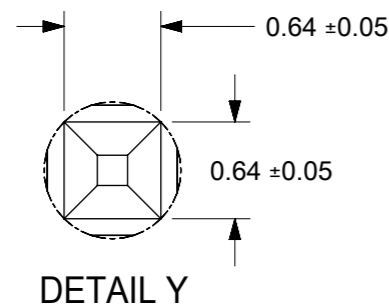
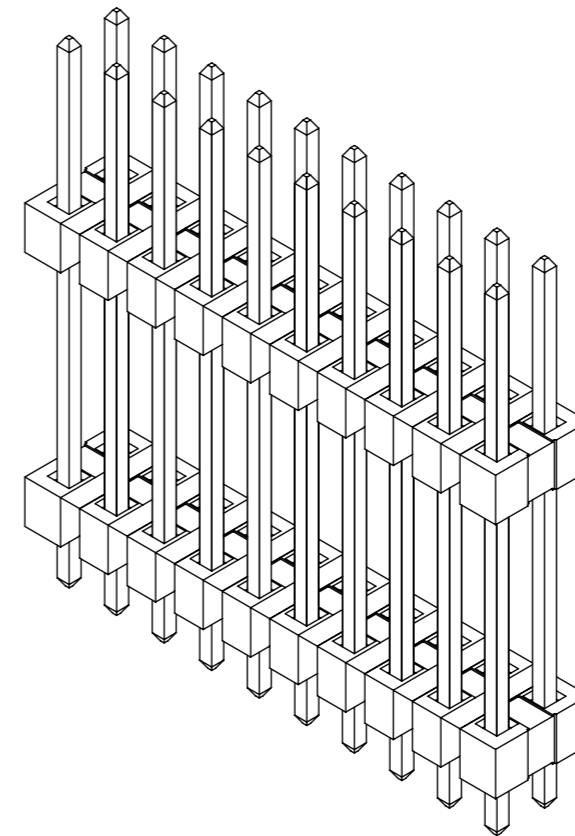
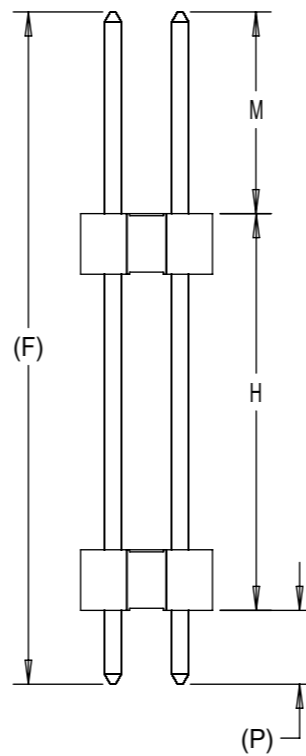
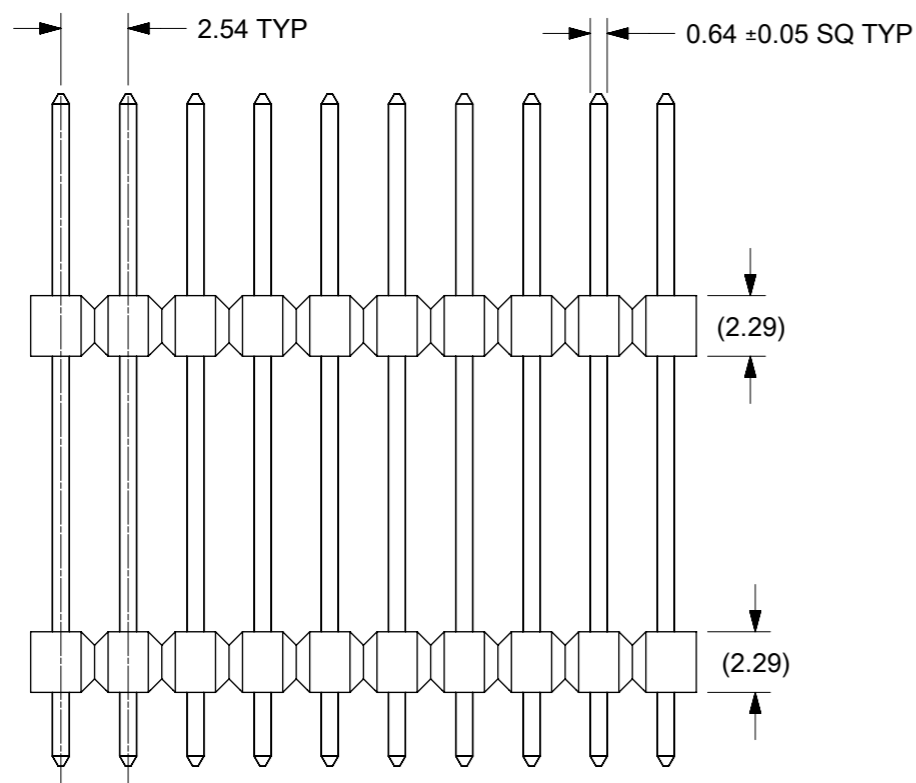


RECOMMENDED PCB LAYOUT: COMPONENT SIDE

NOTES:

1. MATERIAL:
HOUSING: LCP, GLASS FILLED, UL94V-0
COLOR: BLACK
PIN: COPPER ALLOY, SQ, 0.64MM
2. PLATING FINISH:
 - 1) GOLD FLASH OVERALL OVER
1.25µm MIN. NICKEL OVERALL
 - 2) 0.05µm MIN. GOLD IN CONTACT AREA AND
2.50µm MIN. TIN IN SOLDER AREA OVER
1.25µm MIN. NICKEL OVERALL
 - 3) 0.38µm MIN. GOLD IN CONTACT AREA AND
2.50µm MIN. TIN IN SOLDER AREA OVER
1.25µm MIN. NICKEL OVERALL
 - 4) 0.75µm MIN. GOLD IN CONTACT AREA AND
2.50µm MIN. TIN IN SOLDER AREA OVER
1.25µm MIN. NICKEL OVERALL
 - 5) 2.50µm MIN. TIN OVERALL
1.25µm MIN. NICKEL OVERALL
3. FOR PACKING OPTION PLEASE REFER TO THE TABLE.
4. THE ABOVE 20CKTS SHOWN IS FOR ILLUSTRATION ONLY.
5. IRREGULAR CIRCUIT CUTOFF WITHIN BREAKAWAY SECTION IS PERMISSIBLE. CUTTING OR CHIPPING OF THE MAIN BODY IS NOT ACCEPTABLE
6. WAFER TO BE FLAT WITHIN 0.003mm/mm
7. PARTS ARE NOT STACKABLE ON 2.54 CENTERS
8. RECOMMENDED PCB THICKNESS 1.60±0.10mm
9. PRODUCT SPEC: PS-87920-019
10. PACKAGING SPECIFICATION:
TRAY: PK-89990-489
BULK: PK-89990-491
TUBE: PK-89990-300



THIS DRAWING CONTAINS INFORMATION THAT IS PROPRIETARY TO MOLEX ELECTRONIC TECHNOLOGIES, LLC AND SHOULD NOT BE USED WITHOUT WRITTEN PERMISSION									
DIMENSION UNITS		SCALE		CURRENT REV DESC:					
mm		NTS							
GENERAL TOLERANCES (UNLESS SPECIFIED)				EC NO: 690873		DRWN: DANUSA		2021/12/31	
				CHK'D: DANUSA		2022/01/05			
				APPR: MRAMAKRISHNA		2022/01/05			
				INITIAL REVISION:		DRWN: SKLIM01		2006/03/01	
				ANGULAR TOL ± 3.0°		APPR: PATEY		2006/03/03	
DRAFT WHERE APPLICABLE MUST REMAIN WITHIN DIMENSIONS				THIRD ANGLE PROJECTION		DRAWING		SERIES	
						A3-SIZE		87797	
DOCUMENT NUMBER		DOC TYPE		DOC PART		REVISION			
SD-87797-171		PSD		000		C16			
MATERIAL NUMBER		CUSTOMER		SHEET NUMBER					
SEE TABLE		GENERAL MARKET		1 OF 3					

10 9 8 7 6 5 4 3 2 1

CKT SIZE	DIMENSION		PART NO FOR TUBE PACKAGING	PART NO FOR TRAY PACKAGING	PART NO FOR BULK PACKAGING	CKT SIZE	PEG OPTION	VOID POSITION	PLATING TYPE	DIMENSION			
	A	B								F	MATING END	STACKER HEIGHT	SOLDER TAIL
04	5.08	2.54	-	87797-0401	-	4	NO	-	5	18.56	3.78	11.00	3.78
06	7.62	5.08	-	87797-0402	-	4	NO	-	5	18.56	3.78	11.00	3.78
08	10.16	7.62	-	87797-0600	-	6	NO	-	4	26.80	4.00	20.00	2.80
10	12.70	10.16	-	87797-0601	-	6	NO	-	5	11.00	3.00	5.00	3.00
12	15.24	12.70	-	87797-0602	-	6	NO	-	4	33.60	5.00	25.60	3.00
14	17.78	15.24	-	87797-0603	-	6	NO	-	5	33.60	5.00	25.60	3.00
16	20.32	17.78	-	87797-0604	-	6	NO	-	4	35.70	7.90	25.00	2.80
18	22.86	20.32	-	87797-0605	-	6	NO	-	2	22.50	6.00	13.00	3.50
20	25.40	22.86	-	87797-0607	-	6	NO	-	3	27.80	10.70	13.80	3.30
22	27.94	25.40	-	87797-0608	-	6	NO	-	2	27.80	10.70	13.80	3.30
24	30.48	27.94	87797-0610	-	-	6	NO	-	5	41.00	20.00	14.00	7.00
26	33.02	30.48	-	87797-0611	-	6	NO	-	5	45.00	5.25	34.50	5.25
28	35.56	33.02	-	87797-0800	-	8	NO	-	5	18.54	3.05	12.70	2.79
30	38.10	35.56	-	-	87797-0801	8	NO	-	3	19.30	7.20	9.30	2.80
32	40.64	38.10	-	87797-0805	-	8	NO	-	5	25.31	6.61	15.65	3.05
34	43.18	40.64	-	87797-1001	-	10	NO	-	5	32.14	10.80	19.05	2.29
36	45.72	43.18	-	87797-1002	-	10	NO	-	2	18.54	8.13	7.62	2.79
38	48.26	45.72	-	87797-1013	-	10	NO	-	5	19.50	6.80	7.50	5.20
40	50.80	48.26	-	87797-1015	-	10	NO	-	5	18.20	6.70	7.50	4.00
42	53.34	50.80	-	87797-1023	-	10	NO	-	5	35.70	6.00	27.00	2.70
44	55.88	53.34	-	87797-1200	-	12	NO	-	4	19.30	9.04	8.00	2.26
46	58.42	55.88	-	87797-1206	-	12	NO	-	2	16.00	5.84	7.62	2.54
48	60.96	58.42	-	87797-1209	-	12	NO	-	3	15.75	7.80	4.75	3.20
50	63.50	60.96	-	87797-1213	-	12	NO	-	5	23.00	11.70	8.00	3.30
52	66.04	63.50	-	87797-1217	-	12	NO	-	3	23.62	8.12	12.70	2.80
54	68.58	66.04	-	87797-1400	-	14	NO	-	4	20.96	9.91	8.00	3.05
56	71.12	68.58	-	87797-1401	-	14	NO	-	5	13.00	4.00	5.00	4.00
58	73.66	71.12	-	87797-0032	-	14	NO	-	5	40.00	3.00	34.00	3.00
60	76.20	73.66	-	87797-1600	-	16	NO	-	3	22.70	6.60	13.10	3.00
62	78.74	76.20	-	87797-1603	-	16	NO	-	5	28.00	7.00	18.00	3.00
64	81.28	78.74	-	87797-1800	-	18	NO	11 & 12	1	28.00	12.21	9.35	6.44
66	83.82	81.28	-	87797-0020	-	20	NO	-	5	21.30	3.10	15.10	3.10
68	86.36	83.82	-	87797-0200	-	20	NO	-	3	36.32	5.18	25.98	5.16
70	88.90	86.36	-	87797-0201	-	20	NO	-	5	20.68	2.79	15.10	2.79
72	91.44	88.90	-	87797-2000	-	20	NO	-	4	31.00	8.50	14.00	8.50
74	93.98	91.44	-	87797-2002	-	20	NO	-	4	33.60	5.00	25.60	3.00
76	96.52	93.98	-	87797-2003	-	20	NO	-	5	33.60	5.00	25.60	3.00
78	99.06	96.52	-	87797-2004	-	20	NO	-	4	33.40	5.00	25.60	2.80
80	101.60	99.06	-	87797-2010	-	20	NO	-	1	28.00	12.21	9.35	6.44
			-	87797-2035	-	20	NO	-	5	31.37	8.00	19.94	3.43
			-	87797-2009	-	20	NO	-	5	44.13	6.33	35.26	2.54
			87797-2200	-	-	22	NO	-	3	21.10	7.40	10.70	3.00
			87797-2400	87797-2401	-	24	NO	-	5	14.35	3.35	7.65	3.35
			-	87797-2404	-	24	NO	-	5	25.31	6.61	15.65	3.05

THIS DRAWING CONTAINS INFORMATION THAT IS PROPRIETARY TO MOLEX ELECTRONIC TECHNOLOGIES, LLC AND SHOULD NOT BE USED WITHOUT WRITTEN PERMISSION

DIMENSION UNITS: mm SCALE: NTS		CURRENT REV DESC:		CUSTOM HEADER 2.54MM PITCH DUAL ROW HEADER, THRU HOLE, VERT																					
GENERAL TOLERANCES (UNLESS SPECIFIED)		EC NO: 690873																							
<table border="1"> <tr> <th></th> <th>MM</th> <th>INCH</th> </tr> <tr> <td>4 PLACES ±</td> <td></td> <td></td> </tr> <tr> <td>3 PLACES ±</td> <td></td> <td></td> </tr> <tr> <td>2 PLACES ±</td> <td>0.2</td> <td></td> </tr> <tr> <td>1 PLACE ±</td> <td></td> <td></td> </tr> <tr> <td>0 PLACES ±</td> <td></td> <td></td> </tr> </table>			MM	INCH	4 PLACES ±			3 PLACES ±			2 PLACES ±	0.2		1 PLACE ±			0 PLACES ±			DRWN: DANUSA 2021/12/31 CHK'D: DANUSA 2022/01/05 APPR: MRAMAKRISHNA 2022/01/05		PRODUCT CUSTOMER DRAWING			
	MM	INCH																							
4 PLACES ±																									
3 PLACES ±																									
2 PLACES ±	0.2																								
1 PLACE ±																									
0 PLACES ±																									
DRAFT WHERE APPLICABLE MUST REMAIN WITHIN DIMENSIONS		THIRD ANGLE PROJECTION		INITIAL REVISION: DRWN: SKLIM01 2006/03/01 APPR: PATEY 2006/03/03		DOCUMENT NUMBER: SD-87797-171 DOC TYPE: PSD DOC PART: 000 REVISION: C16																			
DRAWING: A3-SIZE SERIES: 87797		MATERIAL NUMBER: SEE TABLE CUSTOMER: GENERAL MARKET		SHEET NUMBER: 2 OF 3																					

DOCUMENT STATUS | P1 | RELEASE DATE | 2022/01/05 07:44:43 | 9 | 8 | 7 | 6 | 5 | 4 | 3 | 2 | 1

PART NO FOR TUBE PACKAGING	PART NO FOR TRAY PACKAGING	PART NO FOR BULK PACKAGING	CKT SIZE	PEG OPTION	VOID POSITION	PLATING TYPE	DIMENSION			
							F	MATING END	STACKER HEIGHT	SOLDER TAIL
								M	H	P
-	87797-2600	-	26	NO	-	3	19.30	7.25	9.00	3.05
-	87797-0044	-	26	NO	-	2	28.74	15.86	10.08	2.80
-	87797-2801	-	28	NO	-	5	22.80	7.40	12.10	3.30
-	87797-2802	-	28	NO	-	5	34.40	7.40	23.70	3.30
-	87797-3024	-	30	NO	-	4	23.62	9.40	11.43	2.79
87797-3200	-	-	32	NO	-	3	23.46	7.00	13.50	2.96
-	87797-0045	-	34	NO	-	2	28.74	15.86	10.08	2.80
-	87797-0400	-	40	NO	-	3	25.40	9.91	12.70	2.79
-	-	87797-0500	50	NO	-	3	18.55	6.48	9.40	2.67
-	87797-5800	-	58	NO	-	5	18.00	3.00	12.00	3.00
-	87797-6000	-	60	NO	-	3	18.05	7.00	8.00	3.05
87797-6001	-	-	60	NO	-	3	23.46	7.00	13.50	2.96
-	-	87797-6400	64	NO	-	3	23.62	5.59	15.24	2.79
-	87797-7213	-	72	NO	-	3	14.35	6.22	5.08	3.05
-	87797-8025	-	80	NO	-	5	22.73	8.10	11.43	3.20

THIS DRAWING CONTAINS INFORMATION THAT IS PROPRIETARY TO MOLEX ELECTRONIC TECHNOLOGIES, LLC AND SHOULD NOT BE USED WITHOUT WRITTEN PERMISSION											
DIMENSION UNITS		SCALE		CURRENT REV DESC:				molex			
mm		NTS									
GENERAL TOLERANCES (UNLESS SPECIFIED)				EC NO: 690873 DRWN: DANUSA CHK'D: DANUSA APPR: MRAMAKRISHNA INITIAL REVISION: DRWN: SKLIM01 APPR: PATEY				CUSTOM HEADER 2.54MM PITCH DUAL ROW HEADER, THRU HOLE, VERT			
4 PLACES ±		±						2021/12/31		PRODUCT CUSTOMER DRAWING	
3 PLACES ±		±						2022/01/05			
2 PLACES ±		0.2 ±						2022/01/05			
1 PLACE ±		±		2006/03/01		DOCUMENT NUMBER					
0 PLACES ±		±		2006/03/03		SD-87797-171					
ANGULAR TOL ±		3.0°				DOC TYPE					
DRAFT WHERE APPLICABLE MUST REMAIN WITHIN DIMENSIONS		THIRD ANGLE PROJECTION		DRAWING		SERIES		MATERIAL NUMBER			
				A3-SIZE		87797		CUSTOMER			
						SEE TABLE		GENERAL MARKET			
								SHEET NUMBER			
								3 OF 3			

DOCUMENT STATUS	P1	RELEASE DATE	2022/01/05	07:44:43
-----------------	----	--------------	------------	----------