

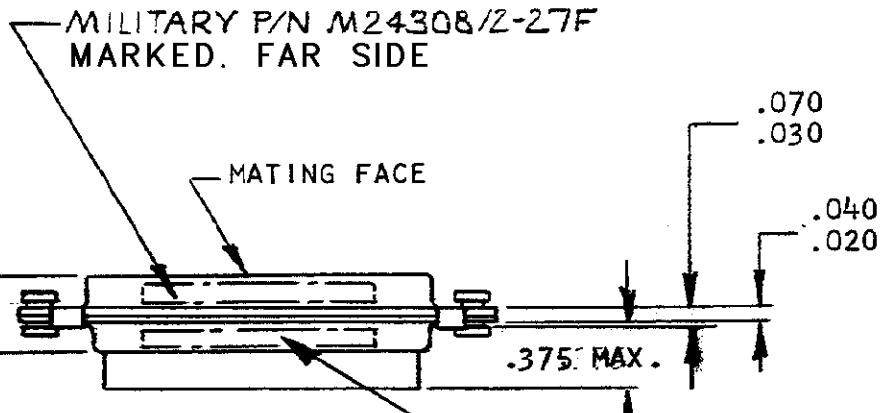
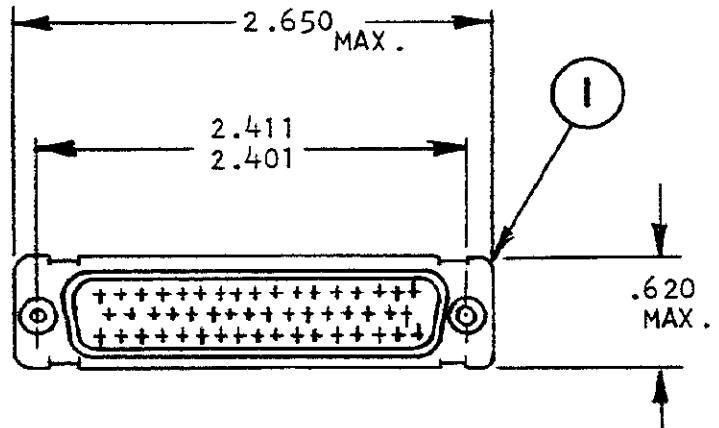
DRAWING MADE IN AMERICAN PROJECTION

© 1971 BY AMP INCORPORATED. ALL RIGHTS RESERVED. AMP PRODUCTS COVERED BY PATENTS AND/OR PATENTS PENDING.

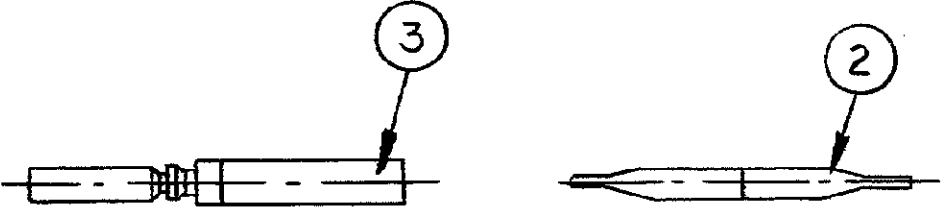
Unpublished copy not to be reproduced nor further disseminated without written permission of Amp Incorporated.

⚠ APPROPRIATE P/N (KIT) IS MARKED ON PACKAGE

REVISIONS				
ZONE	LTR	DESCRIPTION	DATE	APPROVED
	B	REDRAWN PER ECN C-320	4/13/73	[Signature]
	C	REV PER ECN C-878	3/19/74	[Signature]
	D	REV PER ECN D-019	5/15/78	[Signature]
	E	REV PER ECN DF-0021 / DF-0160	1-12-88	[Signature]
	F	ECO-08-023688	PY 11-08	BW



MFG'S NAME, BRAND OR LOGO
MFG'S PART NO AND DATE CODE
MARKED NEAR SIDE



SUPSD BY 205432-2 & 91067-2
 SUPSD BY 205420-1 & 91067-2

1	1		MILITARY P/N M24308/2-38F MARKED ON PACKAGE		
1	1		MILITARY P/N M24308/2-27F MARKED ON PACKAGE		
55	55	B	205090-1	CONTACT, SOCKET, SIZE 20	3
1	1	B	91067-2	INSERTION & EXTRACTION TOOL	2
1	1	B	205420-1	RECEPTACLE ASS'Y., SIZE #5	1
3	2	1	205432	UNLESS OTHERWISE SPECIFIED DIMENSIONS ARE IN INCHES. TOLERANCES ON: DECIMALS ± # ANGLES ± #	ITEM NO.

CONTRACT NO.		AMP INCORPORATED HARRISBURG, PENNSYLVANIA	
DR. <i>L. Morington</i> 4/13/73		NAME AMP	
CHK. <i>[Signature]</i> 4/17/73		KIT, "HDM" SERIES RECEPTACLE, SIZE #5	
APPD. <i>[Signature]</i> 4-23-73		SIZE B	CODE IDENT NO. 00779
REL. <i>[Signature]</i> 4-18-73		NUMBER 205432	REV F
DSGN APPD		SCALE #	SHEET 1 OF 1
OTHER APPD		CUSTOMER DRAWING	

PRINT DIST
 EDO
 LOC DF