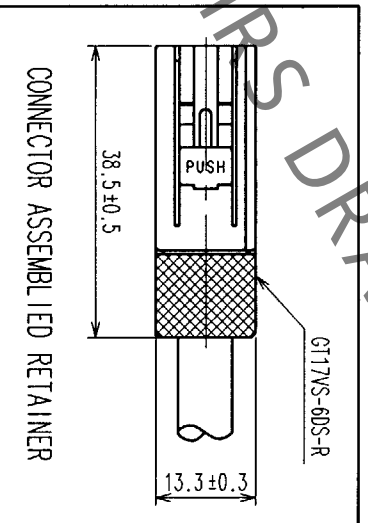
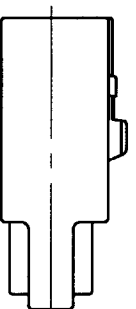
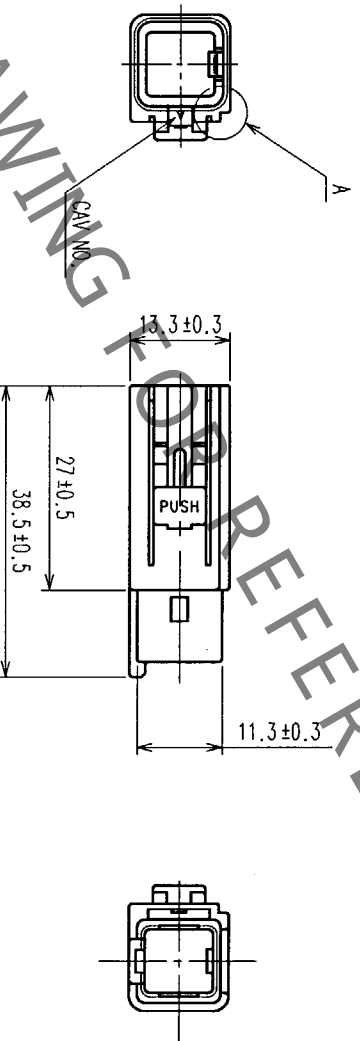
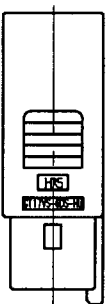
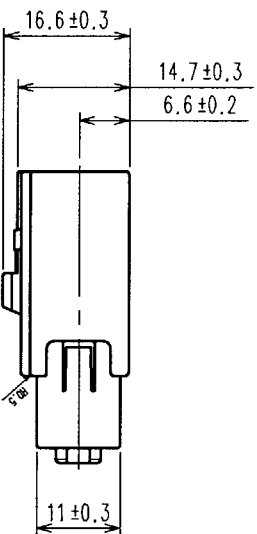
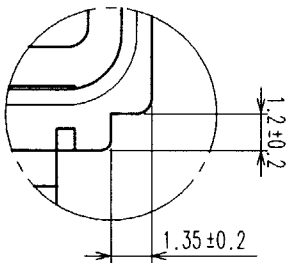


COUNT	DESCRIPTION OF REVISIONS	BY	CHKD	DATE	COUNT	DESCRIPTION OF REVISIONS	BY	CHKD	DATE



NOTE1. THIS CONNECTOR SHALL BE USED THAT RETAINER (CL767-0053-2) WAS ASSEMBLED.  
 2. APPLICABLE CABLE DIA :  $\phi$  4.8 TO  $\phi$  5.2

1	PBT	LIGHT GRAY
NO.	MATERIAL	FINISH, REMARKS

CODE NO. (OLD)	DRAWN	DESIGNED	CHECKED	APPROVED	RELEASED
	N. HARUBAYASHI 04.10.21	N. HARUBAYASHI 04.10.21	K. Kato 04.10.22	K. Kato 04.10.22	

SCALE	DRAWING NO.	PART NO.
1 : 1	EDC4-165622	GT17VS-6DS-HU
UNITS	HIROSE ELECTRIC CO., LTD.	CODE NO.
mm	<b>HRS</b>	CL767-0051-7
1	2	3
1	2	3
1	2	3

TO	AMC