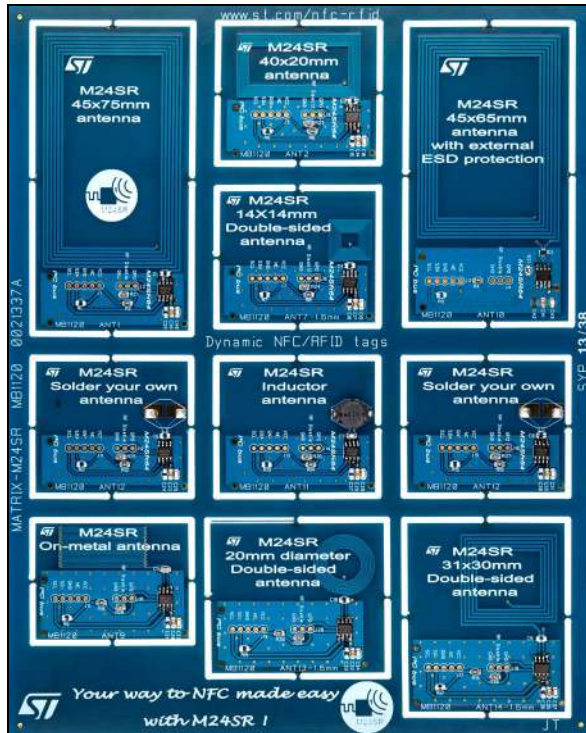


## Antenna matrix for the M24SRXX-Y Dynamic NFC/RFID tag IC family

Data brief



- Various antenna designs
  - 45 mm x 75 mm 13.56 MHz inductive antenna etched on the PCB (ANT1)
  - 20 mm x 40 mm 13.56 MHz inductive antenna etched on the PCB (ANT2)
  - 14 mm x 13.5 mm 13.56 MHz double layer inductive antenna etched on the PCB (ANT7)
  - 45 mm x 65 mm 13.56 MHz inductive antenna etched on the PCB with a DSILC6-4P6 external ESD protection (ANT10)
  - 4.7  $\mu$ H SMD-inductor based antenna (ANT11)
  - 2 spare circuits for customer antenna development (ANT12)
  - Metal Tag 13.56 MHz inductive antenna etched on the PCB (ANT9)
  - 20 mm round 13.56 MHz double layer inductive antenna etched on the PCB (ANT13)
  - 31 mm x 30 mm 13.56 MHz double layer inductive antenna etched on the PCB (ANT14)
- M24SR64-Y Dynamic NFC/RFID tag IC
- I<sup>2</sup>C bus connection
- RF disable input connection with 30 k $\Omega$  pull-down resistor
- GPO (General Purpose Output) output connection with 20 k $\Omega$  pull up resistor
- 100 pF and 10 nF capacitors for VCC decoupling

### Features

Ready-to-use printed circuit board including 10 divisible antenna boards. Each of those antenna board can be connected to an MCU thanks to the I<sup>2</sup>C interface.

The MATRIX-M24SR antenna boards are based on the M24SR64-Y device which is compatible with NFC phones. As such, any NFC phone can communicate with those antenna boards.

# 1 Description

The MATRIX-M24SR board features various antenna designs for M24SRXX-Y Dynamic NFC/RFID tag IC family combined on a single ready-to-use divisible PCB.

Each individual antenna features an M24SR64-Y Dynamic NFC/RFID tag IC connected to an RF antenna on one side, and to an I<sup>2</sup>C bus on the other side.

All antennas are populated with M24SR64-Y Dynamic NFC/RFID tag IC but are applicable to other densities.

The MATRIX-M24SR antenna matrix allows system designers to evaluate the M24SRXX-Y family performance and capabilities and to get started with their design.

The MATRIX-M24SR gerber files can be downloaded from <http://www.st.com>.

**Figure 1. ANT1, ANT2, ANT7, ANT13 and ANT14 block diagram**

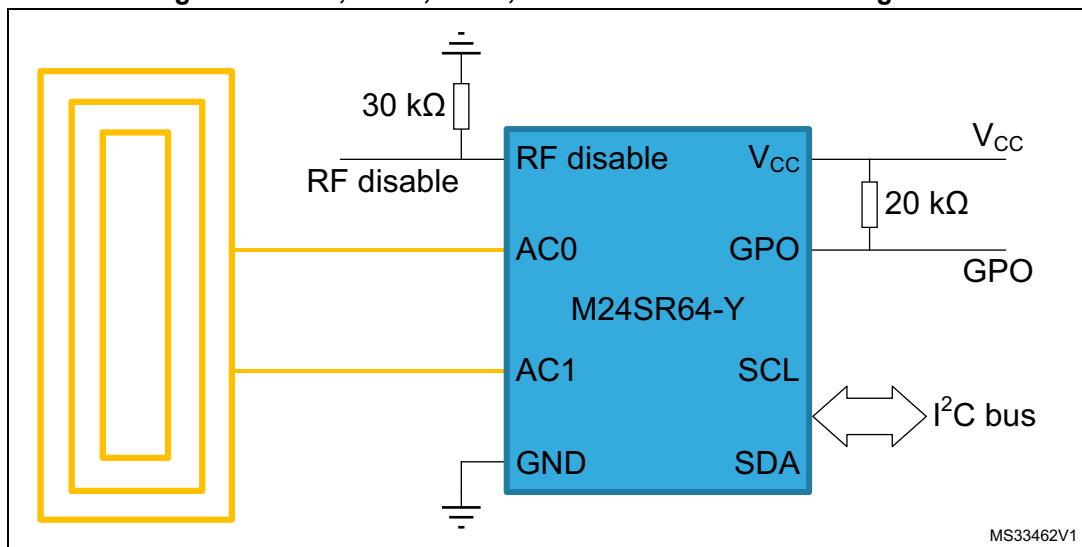
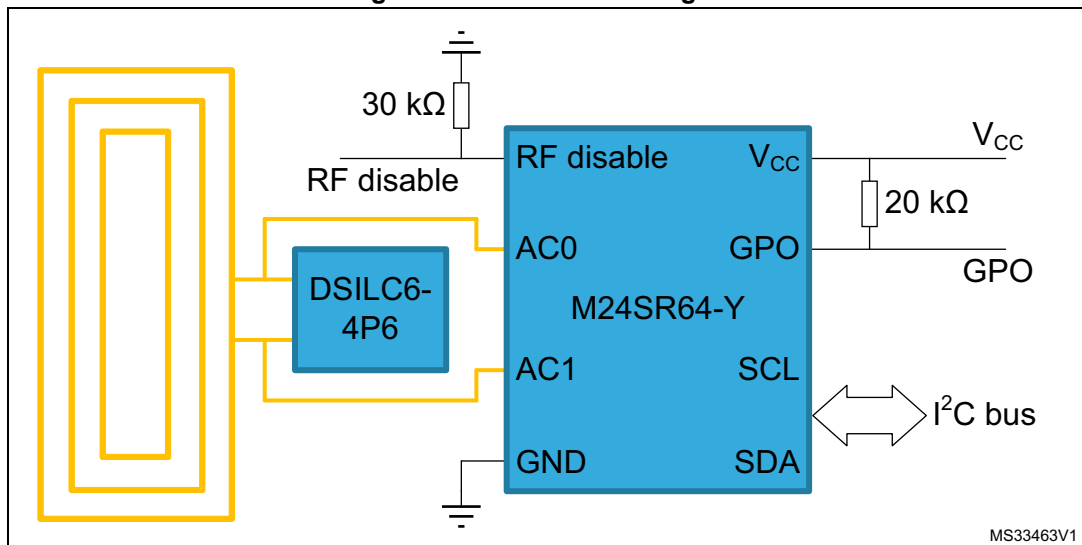


Figure 2. ANT10 block diagram



When associated with the DSILC6-4P6 ( $V_{BR} = 8.1 \text{ V}$ ), the M24SR64-Y is compliant with the IEC61000-4-2, level 3 (10 kV).

Figure 3. ANT9 block diagram

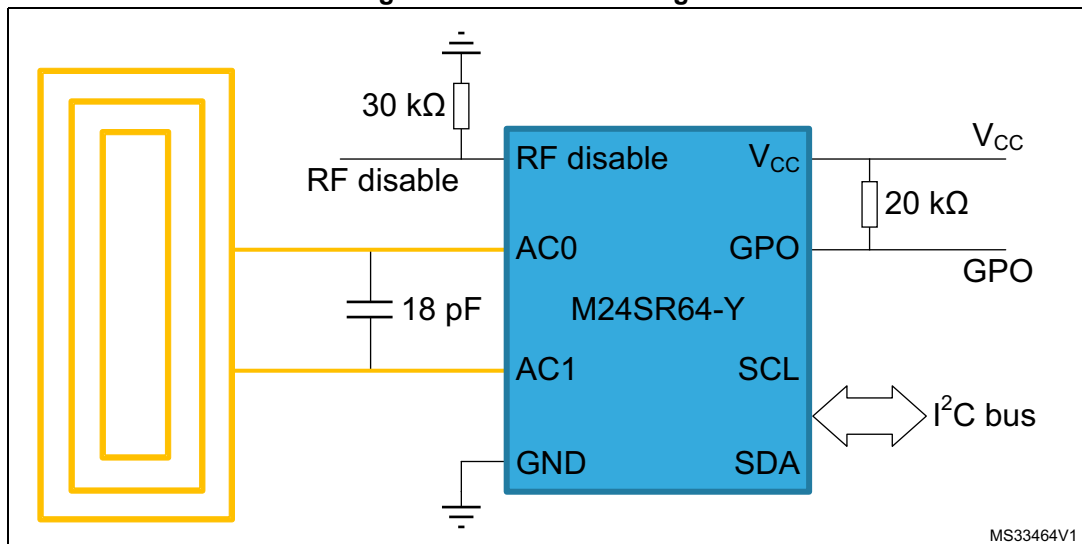


Figure 4. ANT11 block diagram

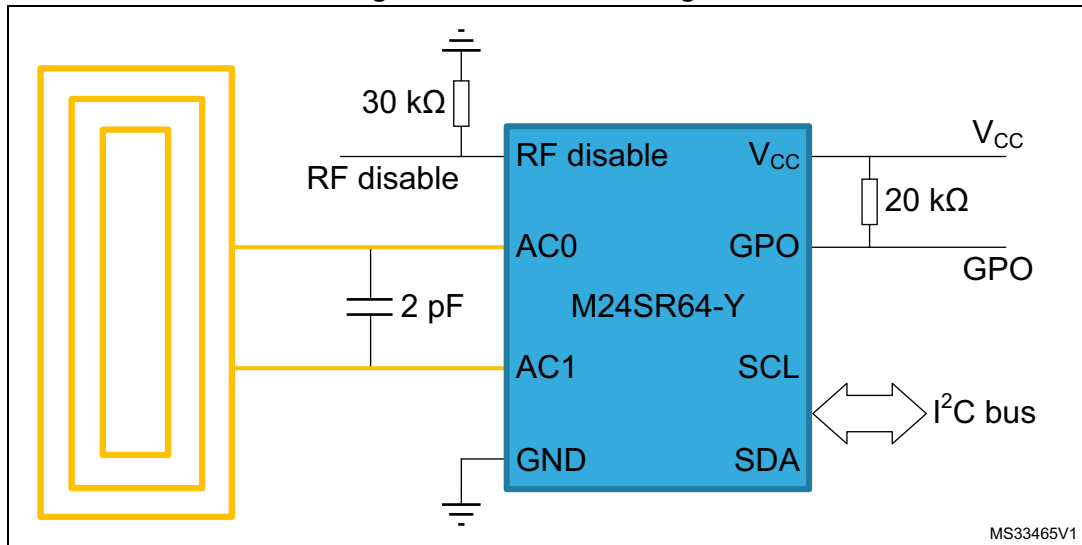
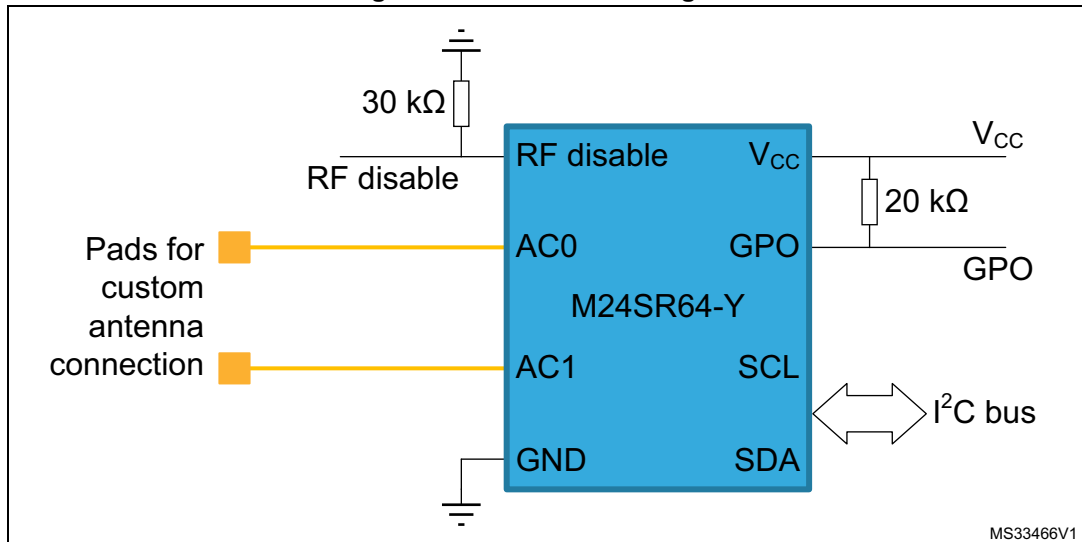


Figure 5. ANT12 block diagram



## 2 Revision history

Table 1. Document revision history

Date	Revision	Changes
04-Dec-2013	1	Initial release.
20-Dec-2013	2	Revised document classification

**Please Read Carefully:**

Information in this document is provided solely in connection with ST products. STMicroelectronics NV and its subsidiaries ("ST") reserve the right to make changes, corrections, modifications or improvements, to this document, and the products and services described herein at any time, without notice.

All ST products are sold pursuant to ST's terms and conditions of sale.

Purchasers are solely responsible for the choice, selection and use of the ST products and services described herein, and ST assumes no liability whatsoever relating to the choice, selection or use of the ST products and services described herein.

No license, express or implied, by estoppel or otherwise, to any intellectual property rights is granted under this document. If any part of this document refers to any third party products or services it shall not be deemed a license grant by ST for the use of such third party products or services, or any intellectual property contained therein or considered as a warranty covering the use in any manner whatsoever of such third party products or services or any intellectual property contained therein.

**UNLESS OTHERWISE SET FORTH IN ST'S TERMS AND CONDITIONS OF SALE ST DISCLAIMS ANY EXPRESS OR IMPLIED WARRANTY WITH RESPECT TO THE USE AND/OR SALE OF ST PRODUCTS INCLUDING WITHOUT LIMITATION IMPLIED WARRANTIES OF MERCHANTABILITY, FITNESS FOR A PARTICULAR PURPOSE (AND THEIR EQUIVALENTS UNDER THE LAWS OF ANY JURISDICTION), OR INFRINGEMENT OF ANY PATENT, COPYRIGHT OR OTHER INTELLECTUAL PROPERTY RIGHT.**

**ST PRODUCTS ARE NOT DESIGNED OR AUTHORIZED FOR USE IN: (A) SAFETY CRITICAL APPLICATIONS SUCH AS LIFE SUPPORTING, ACTIVE IMPLANTED DEVICES OR SYSTEMS WITH PRODUCT FUNCTIONAL SAFETY REQUIREMENTS; (B) AERONAUTIC APPLICATIONS; (C) AUTOMOTIVE APPLICATIONS OR ENVIRONMENTS, AND/OR (D) AEROSPACE APPLICATIONS OR ENVIRONMENTS. WHERE ST PRODUCTS ARE NOT DESIGNED FOR SUCH USE, THE PURCHASER SHALL USE PRODUCTS AT PURCHASER'S SOLE RISK, EVEN IF ST HAS BEEN INFORMED IN WRITING OF SUCH USAGE, UNLESS A PRODUCT IS EXPRESSLY DESIGNATED BY ST AS BEING INTENDED FOR "AUTOMOTIVE, AUTOMOTIVE SAFETY OR MEDICAL" INDUSTRY DOMAINS ACCORDING TO ST PRODUCT DESIGN SPECIFICATIONS. PRODUCTS FORMALLY ESCC, QML OR JAN QUALIFIED ARE DEEMED SUITABLE FOR USE IN AEROSPACE BY THE CORRESPONDING GOVERNMENTAL AGENCY.**

Resale of ST products with provisions different from the statements and/or technical features set forth in this document shall immediately void any warranty granted by ST for the ST product or service described herein and shall not create or extend in any manner whatsoever, any liability of ST.

ST and the ST logo are trademarks or registered trademarks of ST in various countries.

Information in this document supersedes and replaces all information previously supplied.

The ST logo is a registered trademark of STMicroelectronics. All other names are the property of their respective owners.

© 2013 STMicroelectronics - All rights reserved

STMicroelectronics group of companies

Australia - Belgium - Brazil - Canada - China - Czech Republic - Finland - France - Germany - Hong Kong - India - Israel - Italy - Japan - Malaysia - Malta - Morocco - Philippines - Singapore - Spain - Sweden - Switzerland - United Kingdom - United States of America

[www.st.com](http://www.st.com)