

PROPRIETARY AND CONFIDENTIAL  
 THE INFORMATION CONTAINED IN THIS DRAWING IS THE SOLE PROPERTY OF  
 VECTOR ELECTRONICS & TECHNOLOGY, INC. ANY REPRODUCTION IN PART  
 OR AS A WHOLE WITHOUT THE WRITTEN PERMISSION OF VECTOR ELECTRONICS  
 & TECHNOLOGY, INC IS PROHIBITED.

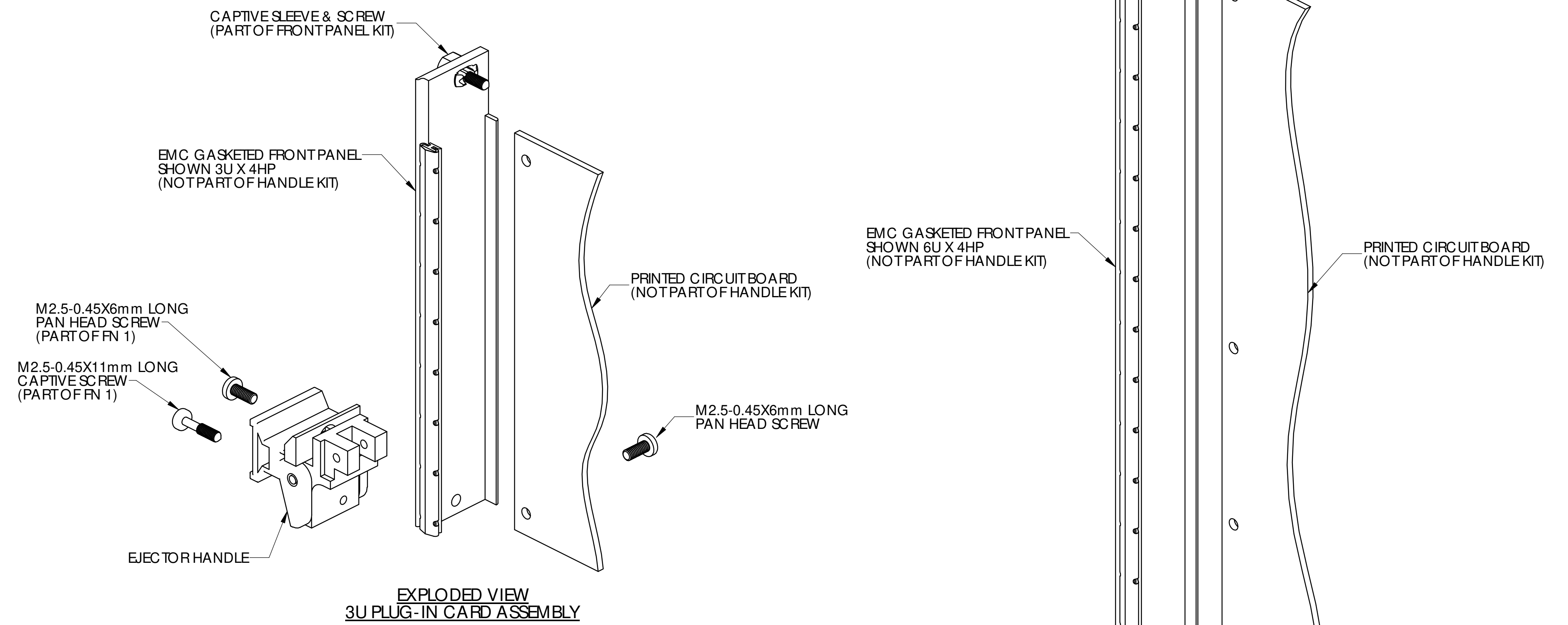
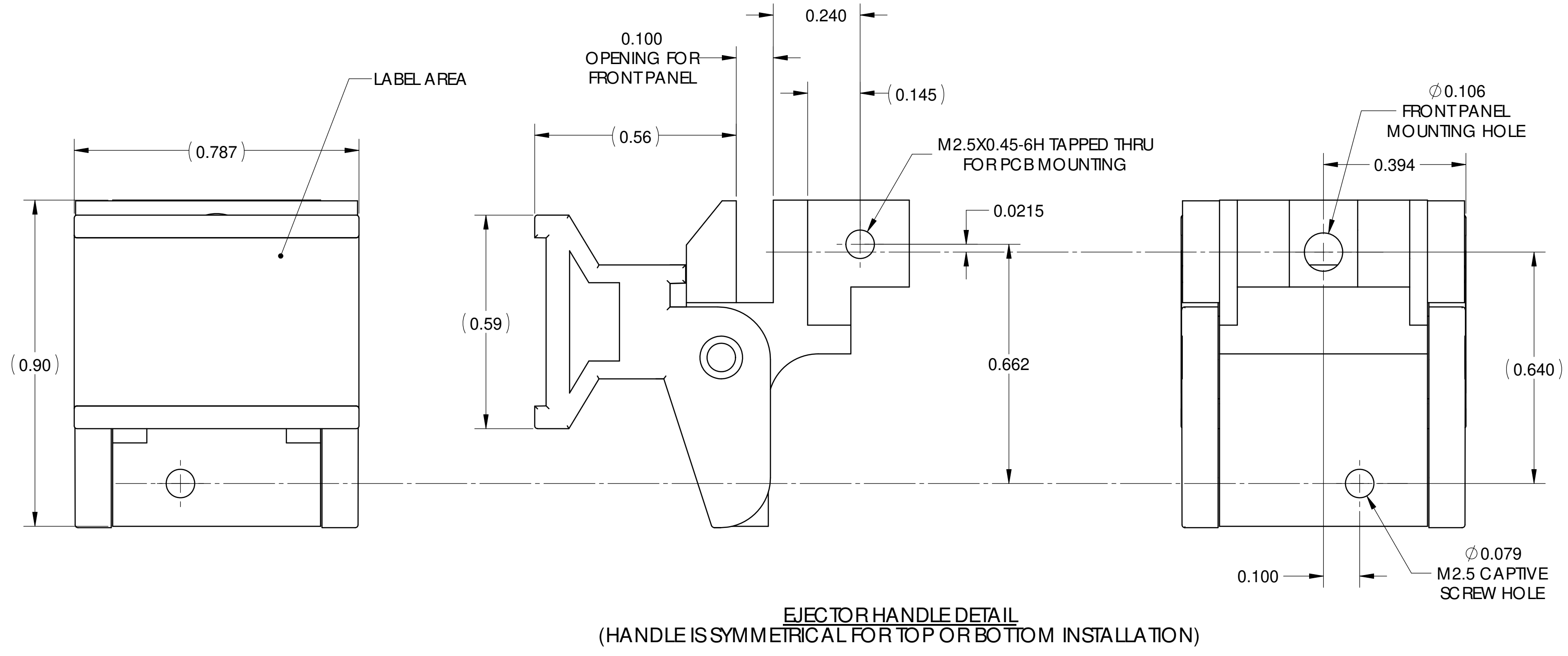
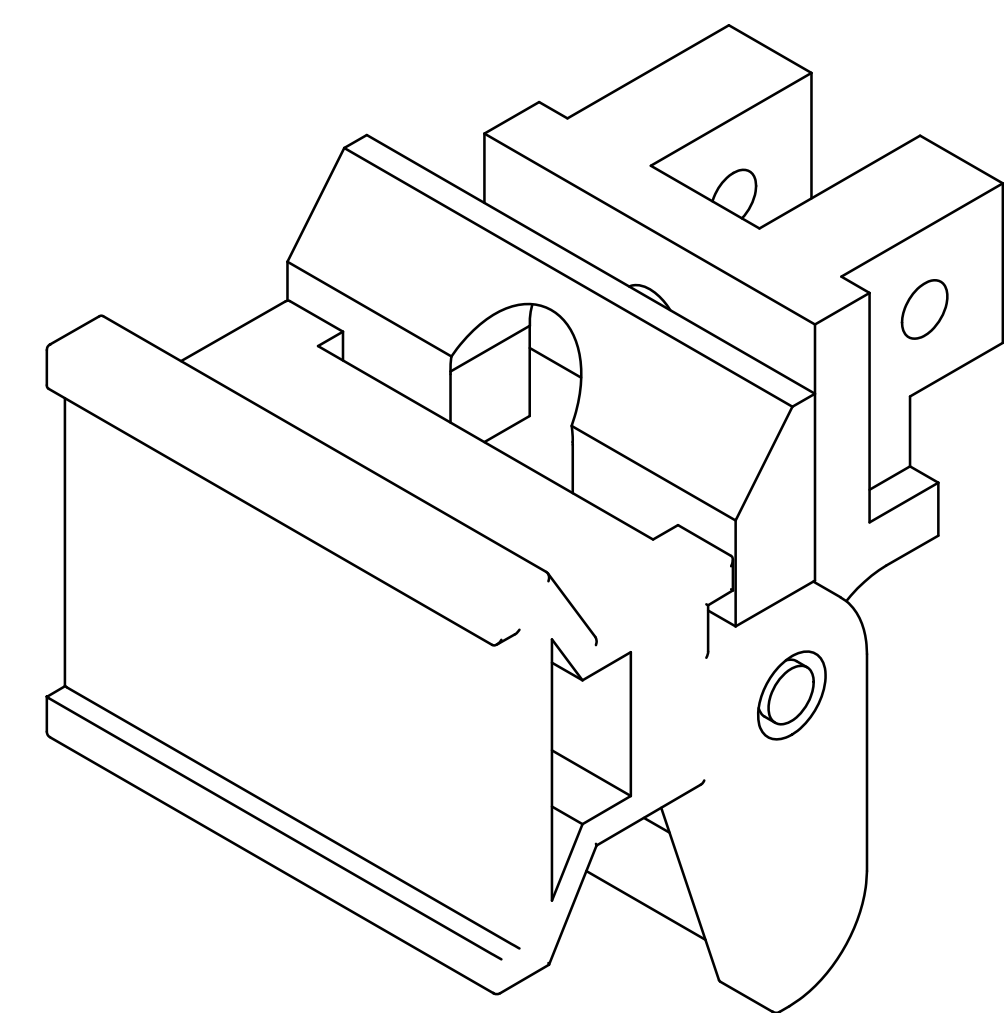
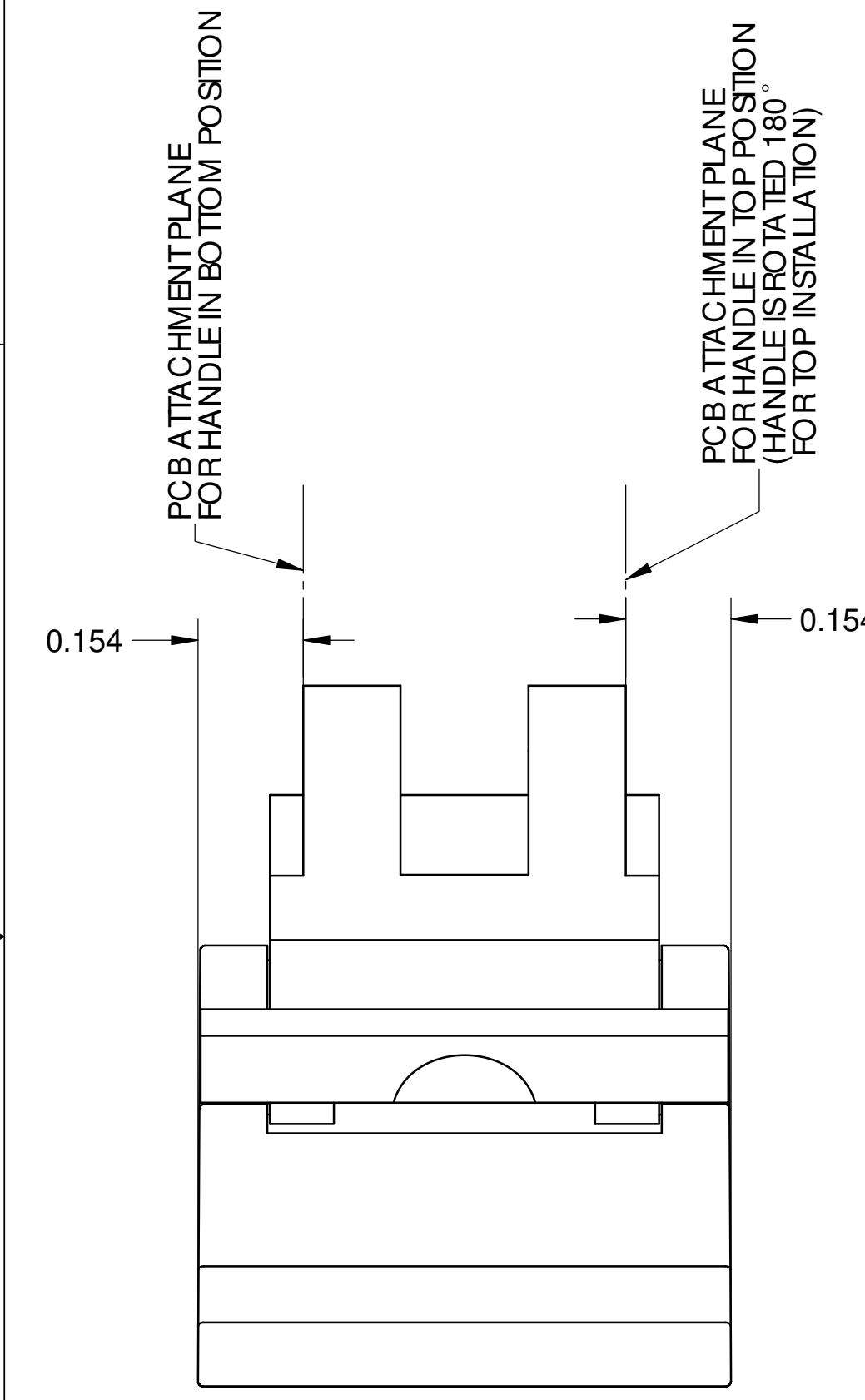
REVISIONS				
ZONE	REV	DESCRIPTION	DATE	APPROVED
ALL	A	INITIAL RELEASE	07/22/15	

**90100043 PARTS LIST  
 (FOR 3U FRONT PANEL ASSEMBLY)**

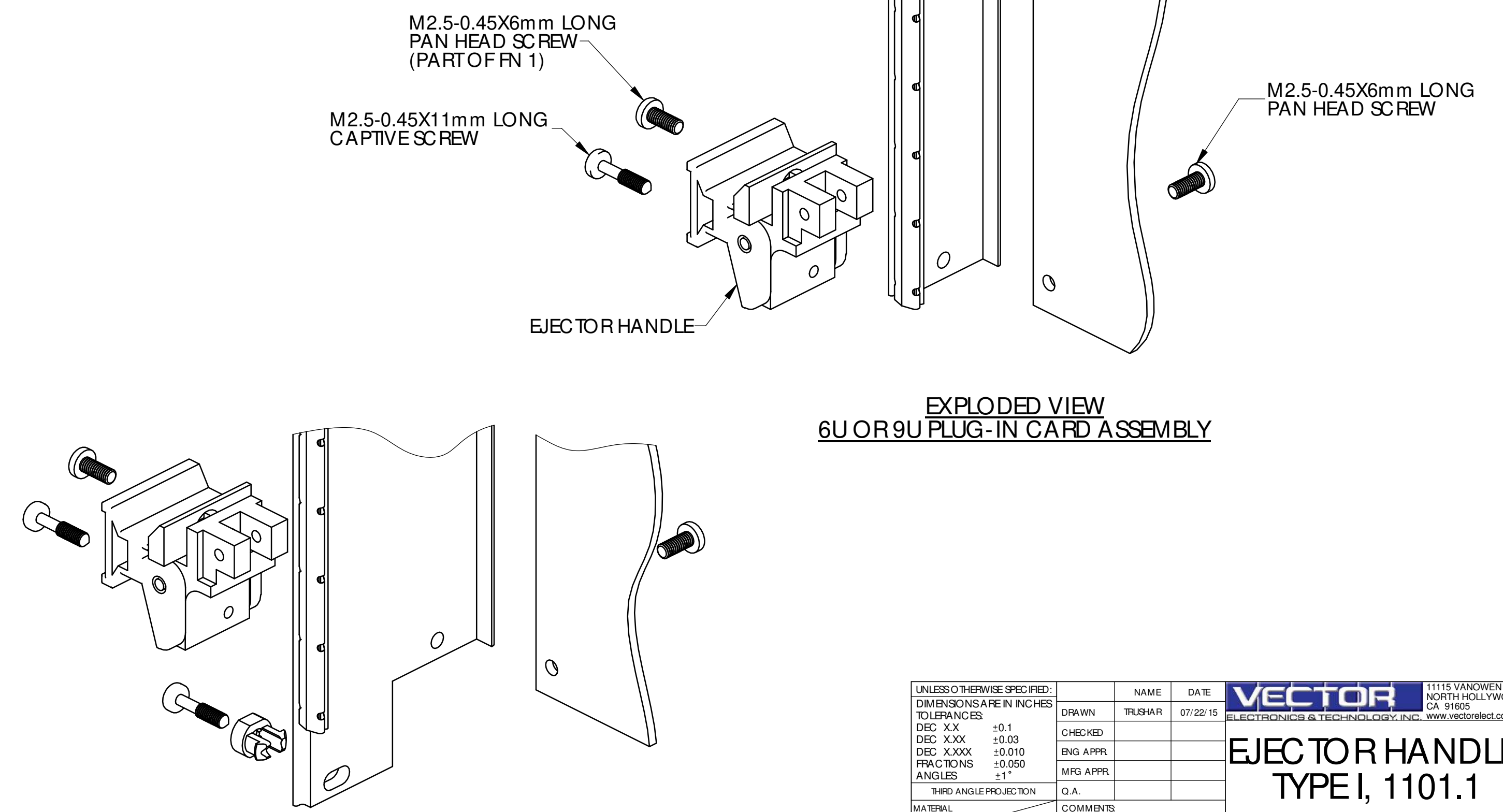
FIND NO	DESCRIPTION	PART NO	QTY	U/M
1	EJECTOR HANDLE, TYPE I	90100043#	1	EACH
2	SCREW, PAN HEAD, M2.5-0.45X6mm	88000066	1	EACH
3	ASSEMBLY INSTRUCTION SHEET	IN406	1	EACH

**90100044 PARTS LIST  
 (FOR 6U OR 9U FRONT PANEL ASSEMBLY)**

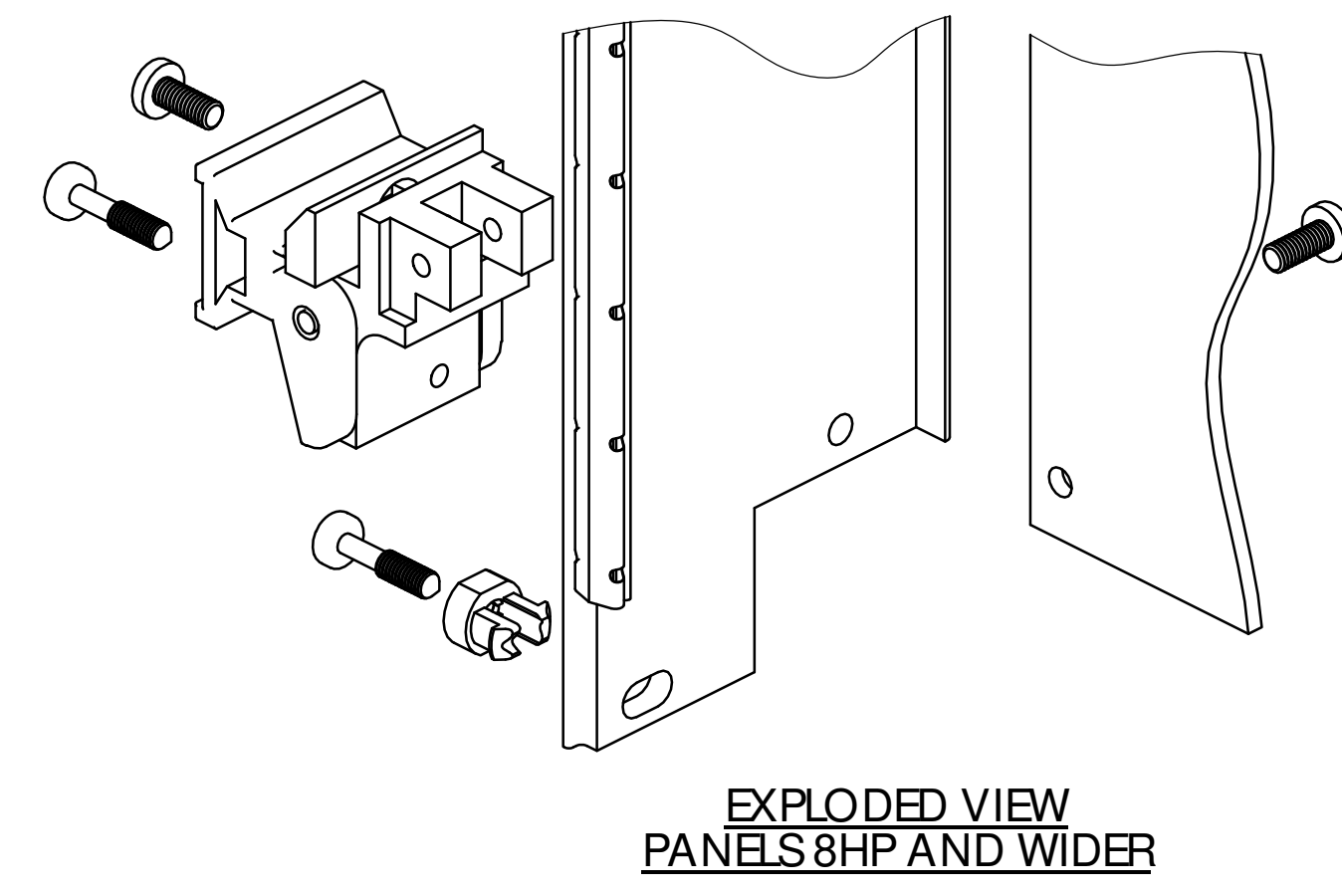
FIND NO	DESCRIPTION	PART NO	QTY	U/M
1	EJECTOR HANDLE, TYPE I	90100043#	2	EACH
2	SCREW, PAN HEAD, M2.5-0.45X6mm	88000066	2	EACH
3	ASSEMBLY INSTRUCTION SHEET	IN406	1	EACH



**EXPLODED VIEW  
 3U PLUG-IN CARD ASSEMBLY**



**EXPLODED VIEW  
 6U OR 9U PLUG-IN CARD ASSEMBLY**



**EXPLODED VIEW  
 PANELS 8HP AND WIDER**

UNLESS OTHERWISE SPECIFIED: DIMENSIONS ARE IN INCHES TOLERANCES		NAME	DATE	<b>VECTOR</b> ELECTRONICS & TECHNOLOGY, INC. www.vectornet.com
DEC. XX	±0.1	DRAWN	TR93AR	
DEC. XXX	±0.03	CHECKED		<b>EJECTOR HANDLE        TYPE I, 1101.1</b>
DEC. XXXX	±0.010	ENG APPR		
FRACTIONS	±0.050	MFG APPR		
ANGLES	±1°	Q.A.		SIZE DWG. NO. REV
THIRD ANGLE PROJECTION		COMMENTS		D EJECTOR HANDLE
MATERIAL				SCALE 4:1 CAGE CODE: 82893 SHEET 1 OF 1
FINISH				