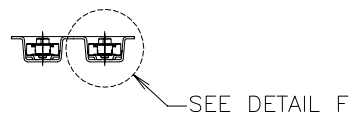
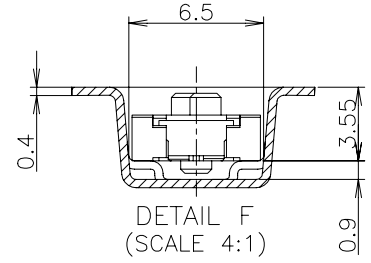
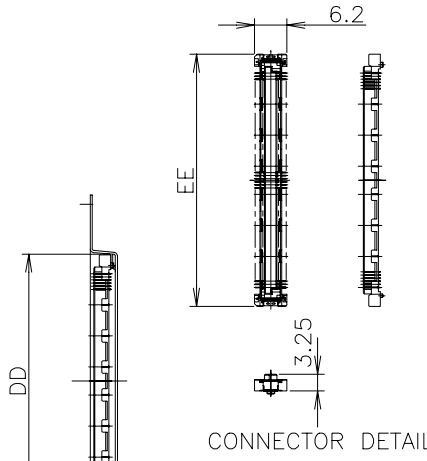
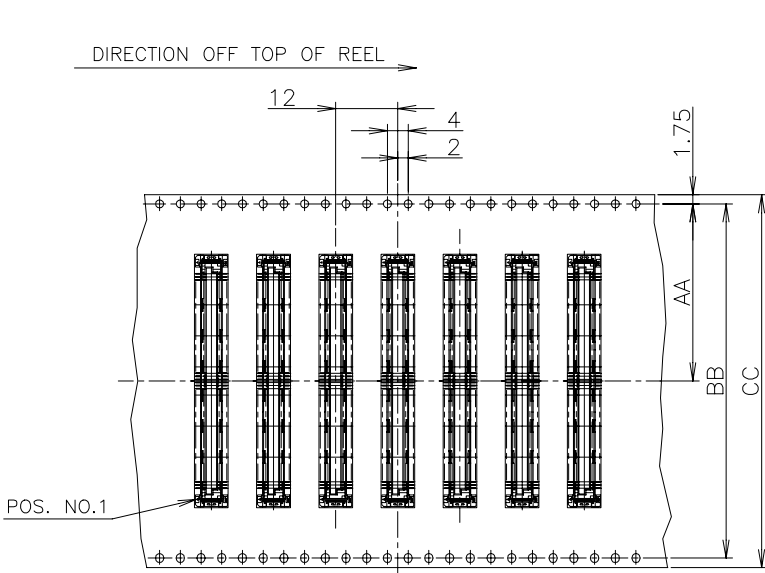
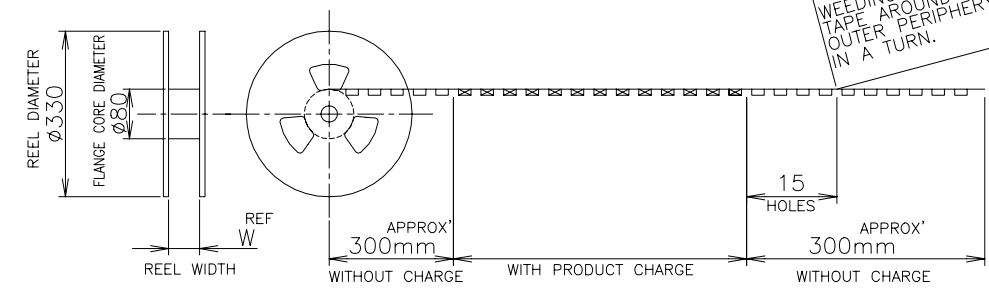


REVISIONS

P	LTR	DESCRIPTION	DATE	DWN	APVD
F		ECO-20-017853: G-CONTACT TAIL GOLD FLASH	18DEC2020	A.L	H.L



WEEDING THE COVER TAPE AROUND THE OUTER PERIPHERY IN A TURN.



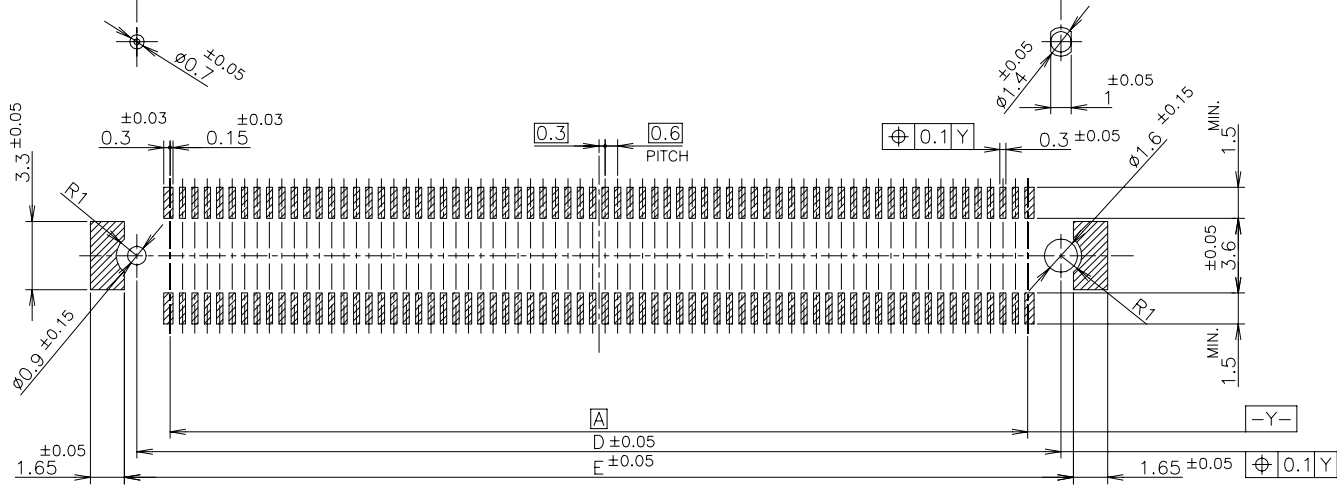
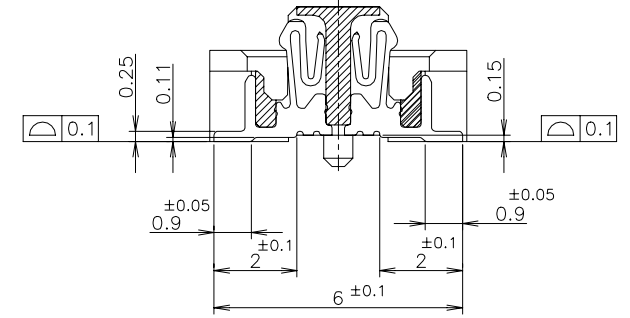
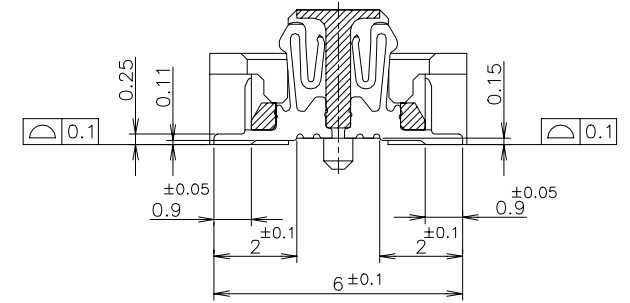
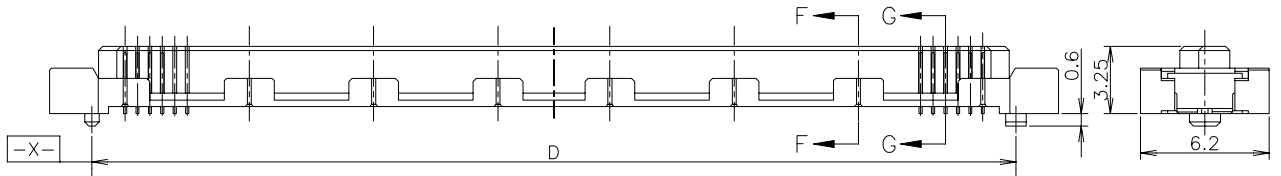
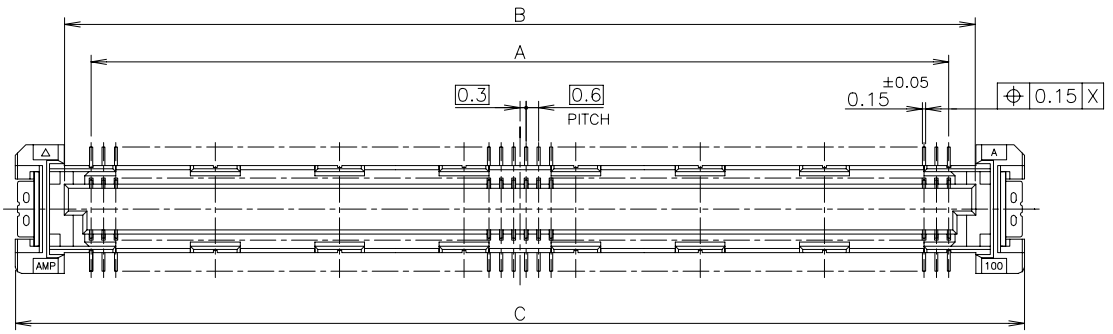
SEALANT	TOOLING STATUS	QTY.	FINISH	W	EE	DD	CC	BB	AA	POS.	PART NO.
NOT AVAILABLE		1000	△	77.5	54.7	55	72	68.4	34.2	160	6-5353190-1
AVAILABLE				77.5	48.7	49	72	68.4	34.2	140	6- -0
NOT AVAILABLE				61.5	42.7	43	56	52.4	26.2	120	5- -9
AVAILABLE				61.5	36.7	37	56	52.4	26.2	100	5- -8
NOT AVAILABLE				61.5	33.7	34	56	52.4	26.2	90	5- -7
NOT AVAILABLE				49.5	30.7	31	44	40.4	20.2	80	5- -6
NOT AVAILABLE				49.5	27.7	28	44	40.4	20.2	70	5- -5
NOT AVAILABLE				49.5	24.7	25	44	40.4	20.2	60	5- -4
NOT AVAILABLE				37.5	21.7	22	32	28.4	14.2	50	5- -3
NOT AVAILABLE				37.5	18.7	19	32	28.4	14.2	40	5- -2
NOT AVAILABLE		1000	△	29.5	15.7	16	24	11.5	30	5-5353190-1	
AVAILABLE		1000	△	77.5	48.7	49	72	68.4	34.2	140	4-5353190-0
AVAILABLE			△	61.5	36.7	37	56	52.4	26.2	100	3- -8
NOT AVAILABLE			△	77.5	54.7	55	72	68.4	34.2	160	1- -1
AVAILABLE				77.5	48.7	49	72	68.4	34.2	140	1- -0
NOT AVAILABLE				61.5	42.7	43	56	52.4	26.2	120	-9
AVAILABLE				61.5	36.7	37	56	52.4	26.2	100	-8
NOT AVAILABLE				61.5	33.7	34	56	52.4	26.2	90	-7
NOT AVAILABLE				49.5	30.7	31	44	40.4	20.2	80	-6
NOT AVAILABLE				49.5	27.7	28	44	40.4	20.2	70	-5
NOT AVAILABLE				49.5	24.7	25	44	40.4	20.2	60	-4
NOT AVAILABLE				37.5	21.7	22	32	28.4	14.2	50	-3
NOT AVAILABLE				37.5	18.7	19	32	28.4	14.2	40	-2
NOT AVAILABLE		1000	△	29.5	15.7	16	24	11.5	30	5353190-1	

THIS DRAWING IS A CONTROLLED DOCUMENT.

DIMENSIONS: 單位: 耗 mm	TOLERANCES UNLESS OTHERWISE SPECIFIED: 一般公差	0 PLC ± 0.2 1 PLC ± 0.2 2 PLC ± 0.2 3 PLC ± 0.2 4 PLC ANGLES ± 0.2 ± 5°	MATERIAL 材料	FINISH 仕上
----------------------------	---	--	----------------	--------------

DWN 16NOV04
 LEO ZHOU
 CHK 16NOV04
 STEVEN YAO
 APVD 16NOV04
 I. ENOMOTO
 NAME 名称
 PRODUCT SPEC
 製品規格
 108-60047
 APPLICATION SPEC
 取付適用規格
 114-5255
 DRAWING NO
 番号
 C=5353190
 RESTRICTED TO
 SIZE CAGE CODE
 A3 00779
 SCALE 1:1
 SHEET 1 OF 3
 REV F
TE TE Connectivity Ltd.
 EMBOSS ASSY
 FH 0.6BTB CONNECTOR
 REC 4H WITH G-CONTACT
 CUSTOMER DRAWING

REVISIONS					
変更					
P	LTR	DESCRIPTION	DATE	DWN	APVD
-	-	SEE SHEET 1	-	-	-



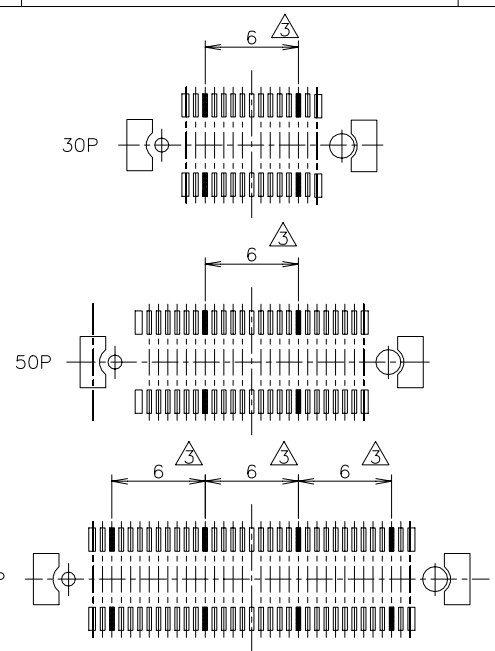
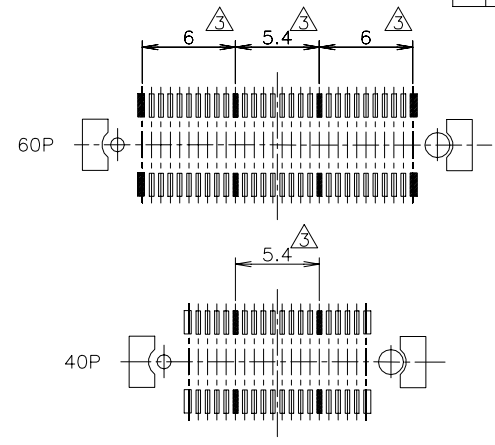
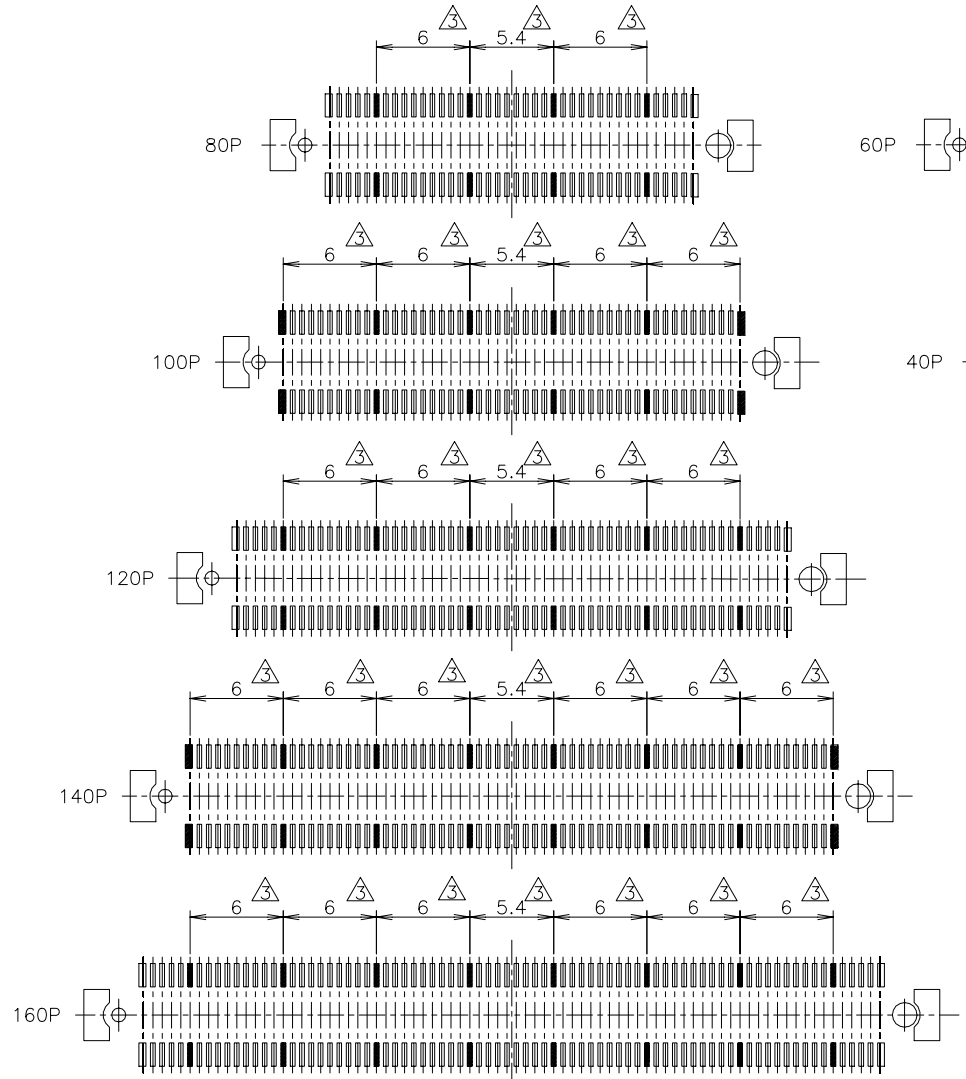
45.8	44.6	48.7	44	41.4	140	4-5353190-0
33.8	32.6	36.7	32	29.4	100	3- -8
51.8	50.6	54.7	50	47.4	160	1- -1 & 6-5353190-1
45.8	44.6	48.7	44	41.4	140	1- -0 & 6- -0
39.8	38.6	42.7	38	35.4	120	-9 & 5- -9
33.8	32.6	36.7	32	29.4	100	-8 & 5- -8
30.8	29.6	33.7	29	26.4	90	-7 & 5- -7
27.8	26.6	30.7	26	23.4	80	-6 & 5- -6
24.8	23.6	27.7	23	20.4	70	-5 & 5- -5
21.8	20.6	24.7	20	17.4	60	-4 & 5- -4
18.8	17.6	21.7	17	14.4	50	-3 & 5- -3
15.8	14.6	18.7	14	11.4	40	-2 & 5- -2
12.8	11.6	15.7	11	8.4	30	5353190-1 & 5-5353190-1
E	D	C	B	A	POS	△ PART NO.

REFERENCE P.C.BOARD LAYOUT

THIS DRAWING IS A CONTROLLED DOCUMENT.

DIMENSIONS: 單位: 耗 mm	TOLERANCES UNLESS OTHERWISE SPECIFIED: 一般公差	DWN	TE Connectivity Ltd.
0 PLC ± 0.3	1 PLC ± 0.3	CHK	
2 PLC ± 0.3	3 PLC ± 0.3	APVD	
4 PLC ± 0.3	ANGLES ± 3'	PRODUCT SPEC 製品規格	
MATERIAL 材料	FINISH 仕上	WEIGHT	NAME 名称
CUSTOMER DRAWING			EMBOSS ASSY FH 0.6BTB CONNECTOR REC 4H WITH G-CONTACT
SIZE A3		CAGE CODE 00779	DRAWING NO 番号 G=5353190
SCALE 尺度 4:1		SHEET 2 OF 3	RESTRICTED TO REV F

REVISIONS					
変更					
P	LTR	DESCRIPTION	DATE	DWN	APVD
-	-	SEE SHEET 1	-	-	-



- △ MATERIAL : HOUSING : HIGH TEMP THERMO PLASTIC, UL94V-0
CONTACT : COPPER ALLOY
- △ FINISH : UNDER PL Ni 0.0013mm MIN ALL OVER.
CONTACT AREA 0.0002mm MIN Au PL.
SOLDERING AREA: SIGNAL POS 0.00005mm MIN Au PL.
Ⓣ GROUND POS 0.00005mm MIN Au PL.
- Ⓣ THIS POSITION IS GROUND CIRCUIT.
- Ⓣ PACKING ASSY DWG SEE SHEET 1.
- Ⓣ THIS PRODUCT WAS COATED BY FLUX-PENETRATION
-INHIBITING AGENT.
- △ FINISH : UNDER PL Ni 0.0013mm MIN ALL OVER.
CONTACT AREA 0.00076mm MIN Au PL.
SOLDERING AREA: SIGNAL POS 0.00005mm MIN Au PL.
Ⓣ GROUND POS 0.00005mm MIN Au PL.

THIS DRAWING IS A CONTROLLED DOCUMENT.		DWN		TE Connectivity Ltd.	
		CHK		EMBOSS ASSY	
DIMENSIONS: 單位: 耗 mm	TOLERANCES UNLESS OTHERWISE SPECIFIED: 一般公差	APVD	NAME 名稱	FH 0.6BTB CONNECTOR	
	0 PLC ± 0.3	PRODUCT SPEC 製品規格	REC 4H WITH G-CONTACT		
	1 PLC ± 0.3	APPLICATION SPEC 取付適用規格	SIZE	CAGE CODE	DRAWING NO
MATERIAL 材料	2 PLC ± 0.3	WEIGHT	A3	00779	G=5353190
	3 PLC ± 0.3	CUSTOMER DRAWING	RESTRICTED TO		
	4 PLC ± 0.3		SCALE 尺度	SHEET	REV
	FINISH 仕上		3:1	3 OF 3	F