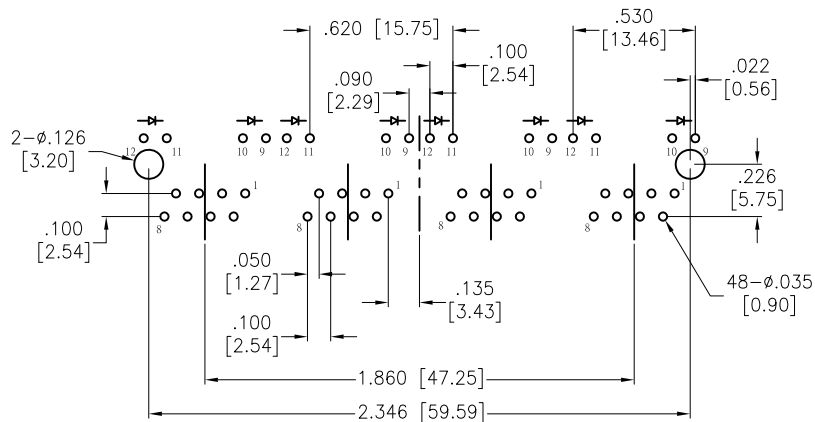
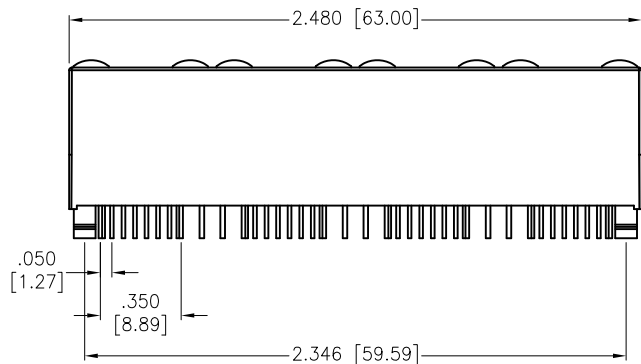
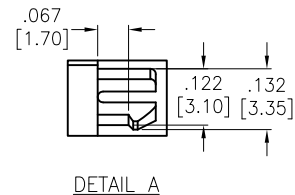
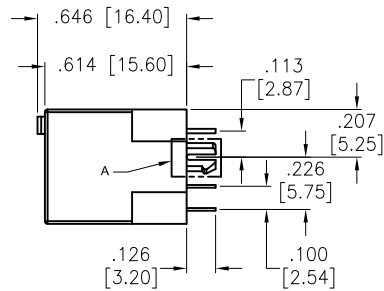
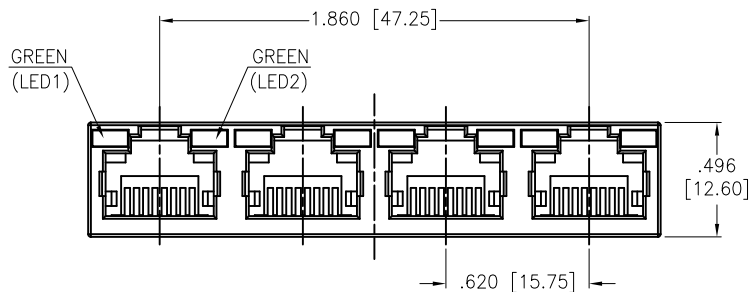


Rev	AWO #	Description	Date	Appr
-		RELEASED	9/27/18	

APPROVED: \_\_\_\_\_  
DATE: \_\_\_\_\_ TITLE: \_\_\_\_\_



RECOMMENDED PCB LAYOUT

**SPECIFICATIONS:**

Material:  
Insulator: Hi-temp thermoplastic, rated UL 94V-0  
Insulator color: Pantone P114C, Yellow  
Contacts: Phosphor Bronze  
Contacts Plating:  
Round contact  
Gold over Nickel underplate overall  
Flat contact  
Gold over Nickel underplate on contact area,  
Tin over Nickel underplate on solder tails  
Electrical:  
Voltage rating: 150 VAC max  
Current rating: 1.5 Amp max  
Contact Resistance: 30 mohms max  
Insulation resistance: 500 Mohms min  
Dielectric withstanding voltage: 1,000 VAC  
Temperature Rating:  
Operating temperature: -40°C to +70°C  
Environmental:  
Lead free, RoHS compliant.



UNLESS OTHERWISE SPECIFIED ALL DIMENSIONS ARE INCHES [MM] TOLERANCES: EXCEPT AS NOTED		
INCHES		HOLES
.X ± .10	∅X ± .10	
.XX ± .020	∅XX ± .015	
.XXX ± .015	∅XXX ± .010	
APPROVALS		DATE
DRAWN	HR	9/27/18
CHECKED	RC2	9/27/18
APPROVED		

**ADAM TECH**  
INTERCONNECTS  
909 Rahway Avenue,  
Union, NJ 07083  
Phone: 908-687-5000  
Fax: 908-687-5710

TITLE MODULAR TELEPHONE JACK, GANGED 8P8C, W/ LED1 GREEN LED2 GREEN, YELLOW COLOR		
SIZE X	PART NO. MTJG-4-888X1-P114C-HT-B	REV. -
REF: S00297T	SCALE: NTS	SHEET 1 OF 1