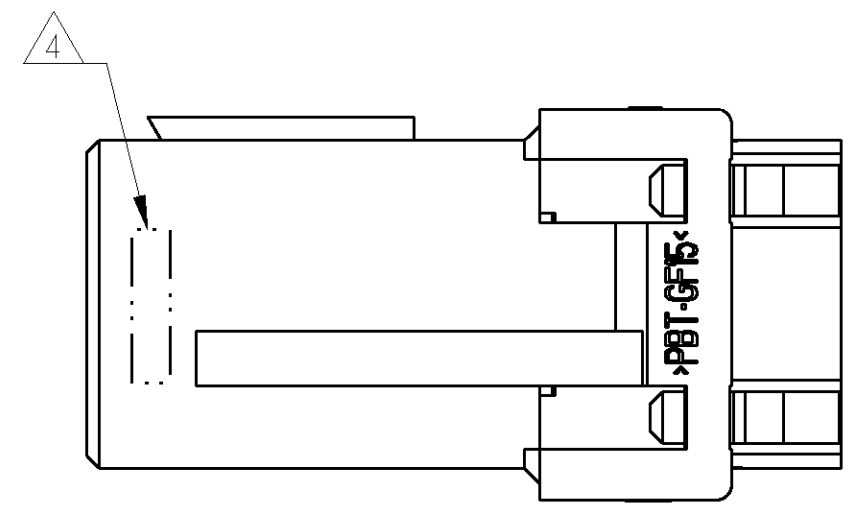
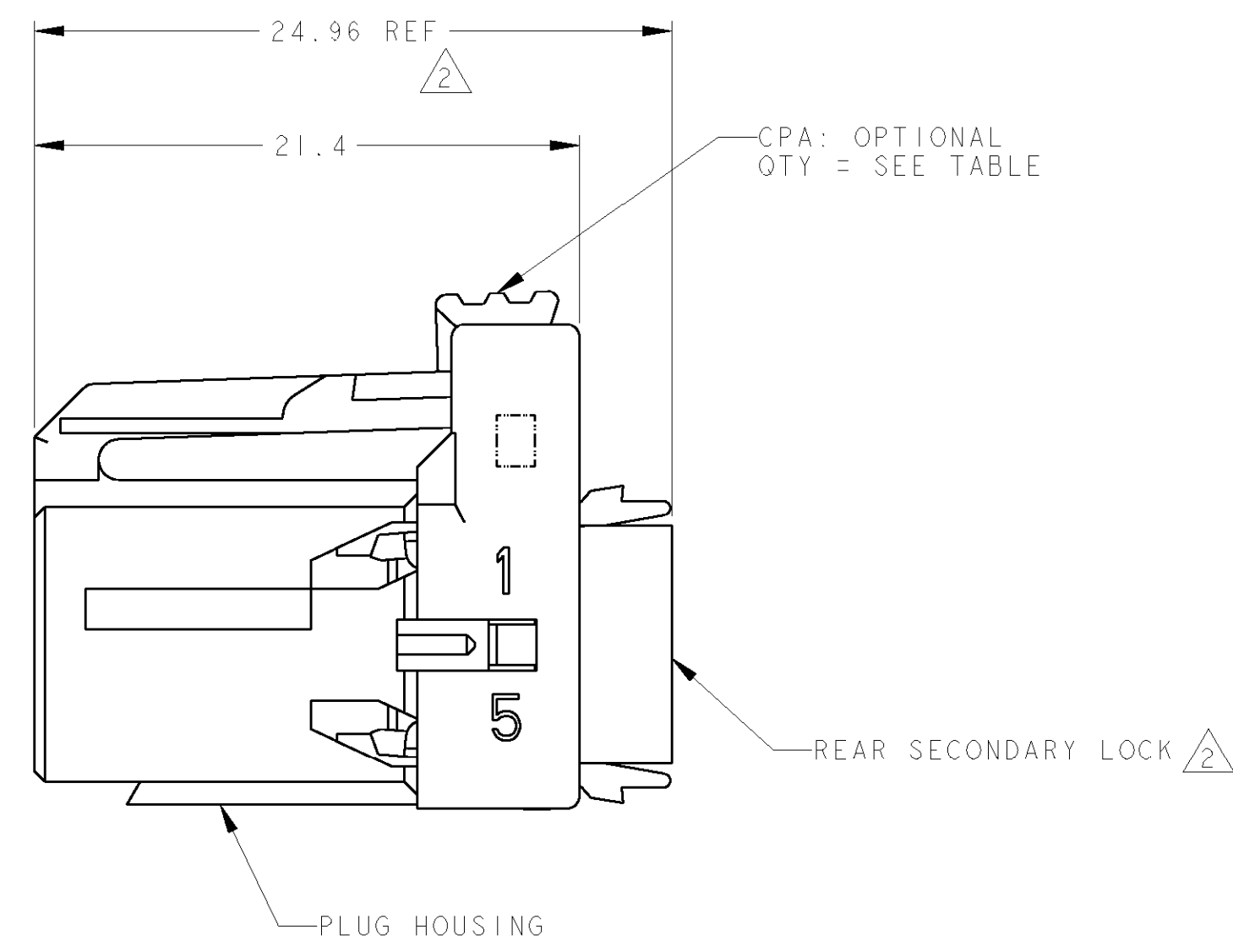
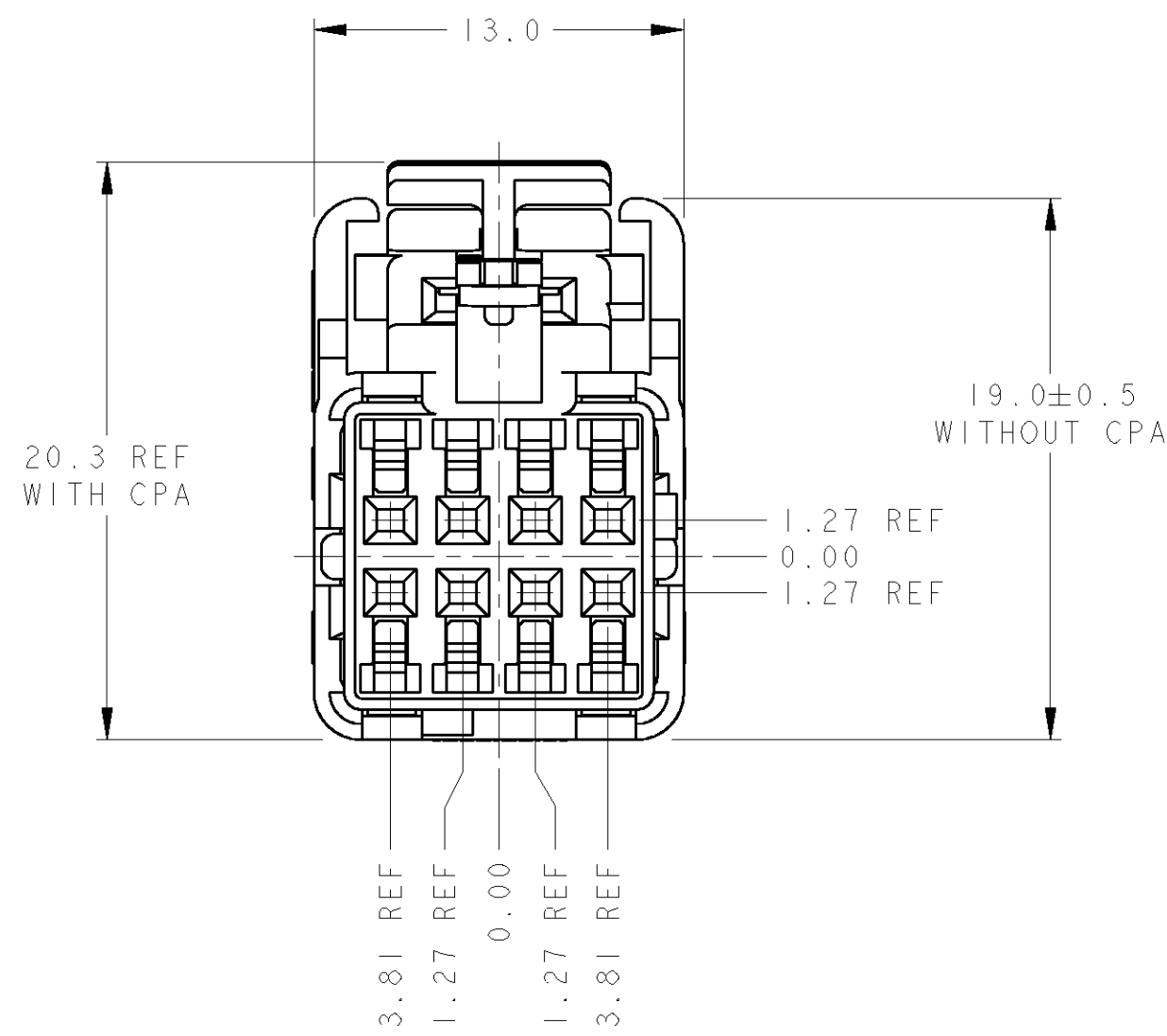


THIS DRAWING IS UNPUBLISHED. RELEASED FOR PUBLICATION
 BY TYCO ELECTRONICS CORPORATION. ALL RIGHTS RESERVED.

LOC	DIST	REVISIONS					
		P	LTR	DESCRIPTION	DATE	DWN	APVD
FX	00	0		REL PER NPR# 20109	13DEC00	PC	AE
		A		REV PER EC# 0K80-0005-01	30JAN01	PC	AE
		-		-	-	-	-



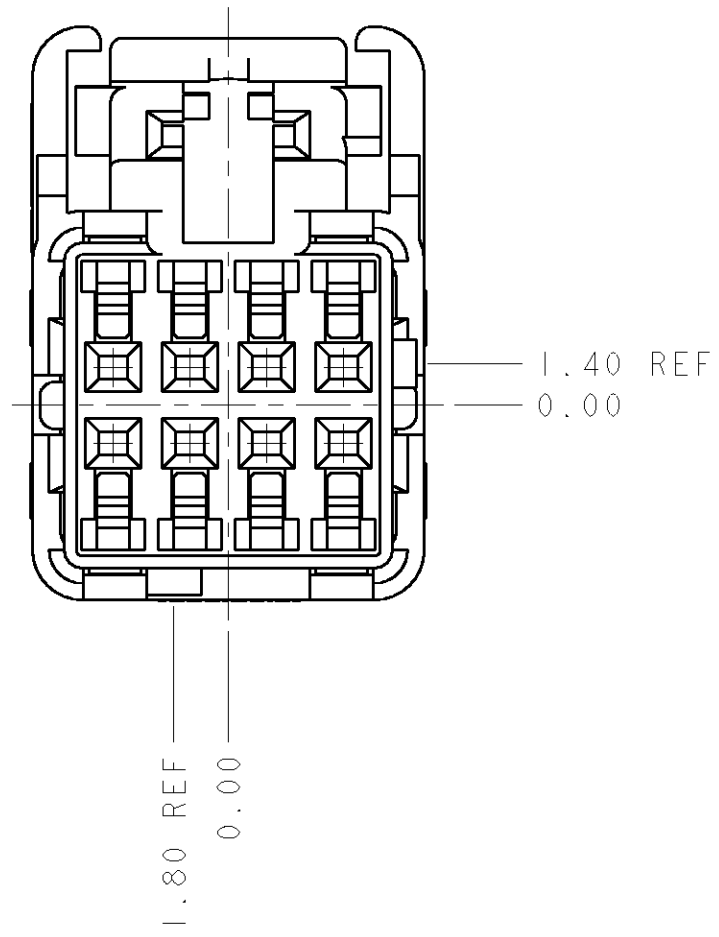
- 638392-4 SHOWN.
- REAR SECONDARY LOCK, SHOWN IN PRE-LATCHED POSITION.
- PLUG HOUSING: PBT, 15% GLASS FILLED, 25% MAX REGRIND, COLOR: SEE TABLE. REAR SECONDARY LOCK: PBT, UNFILLED, GRAY, 25% MAX REGRIND. CPA: PBT, 15% GLASS FILLED, RED, 25% MAX REGRIND.
- MARK FOUR DIGIT JULIAN DATE CODE (DDDY), LOCATED IN APPROXIMATE AREA SHOWN.
- TERMINALS SOLD SEPARATELY, SEE AMP RECOMMENDED P/N 1326028 (GOLD) OR 638551 (TIN) FOR TERMINATION AND REELING OPTIONS.
- THIS PRODUCT HAS A MINIMUM MISMATING FORCE OF 100 NEWTONS.
- WEIGHT OF ASSEMBLY WITH CPA IS 2.6 GRAMS. WEIGHT OF ASSEMBLY WITHOUT CPA IS 2.5 GRAMS.

PLUG HOUSING COLOR	KEYING ARRANGEMENT (SEE SHEET 2)	PART NUMBER
I	BLUE "C"	638392-6
I	YELLOW "B"	638392-5
I	BLACK "A"	638392-4
N/A	BLUE "C"	638392-3
N/A	YELLOW "B"	638392-2
N/A	BLACK "A"	638392-1

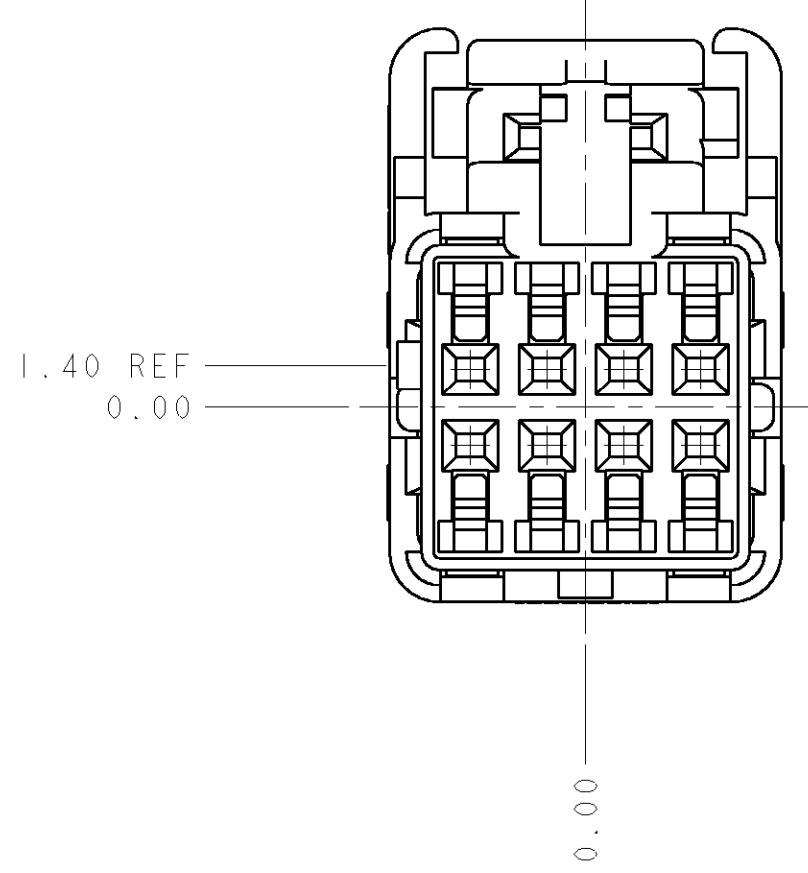
THIS DRAWING IS A CONTROLLED DOCUMENT FOR TYCO ELECTRONICS CORPORATION. IT IS SUBJECT TO CHANGE AND THE CONTROLLING ENGINEERING ORGANIZATION SHOULD BE CONTACTED FOR THE LATEST REVISION.		DWN K. FOLTZ 26AUG99	Tyco Electronics Harrisburg, PA 17105-3608	
DIMENSIONS: mm		CHK A. EBRAHEEM 30JAN01	NAME PLUG ASSEMBLY, UNSEALED, 8 POSITION 2X4, 0.64mm CONNECTOR	
TOLERANCES UNLESS OTHERWISE SPECIFIED: 0 PLC ±0.4 1 PLC ±0.30 2 PLC ±0.30 3 PLC ±0.30 4 PLC ±0.30 ANGLES ± FINISH -		APVD G. BALEN 30JAN01	PRODUCT SPEC SAE/USCAR-2 8/97	
MATERIAL PBT-0F15		APPLICATION SPEC -	WEIGHT A	RESTRICTED TO -
CUSTOMER DRAWING		SCALE 4:1	SHEET 1 OF 2	REV A

THIS DRAWING IS UNPUBLISHED. RELEASED FOR PUBLICATION
 © COPYRIGHT 20 BY TYCO ELECTRONICS CORPORATION. ALL RIGHTS RESERVED.

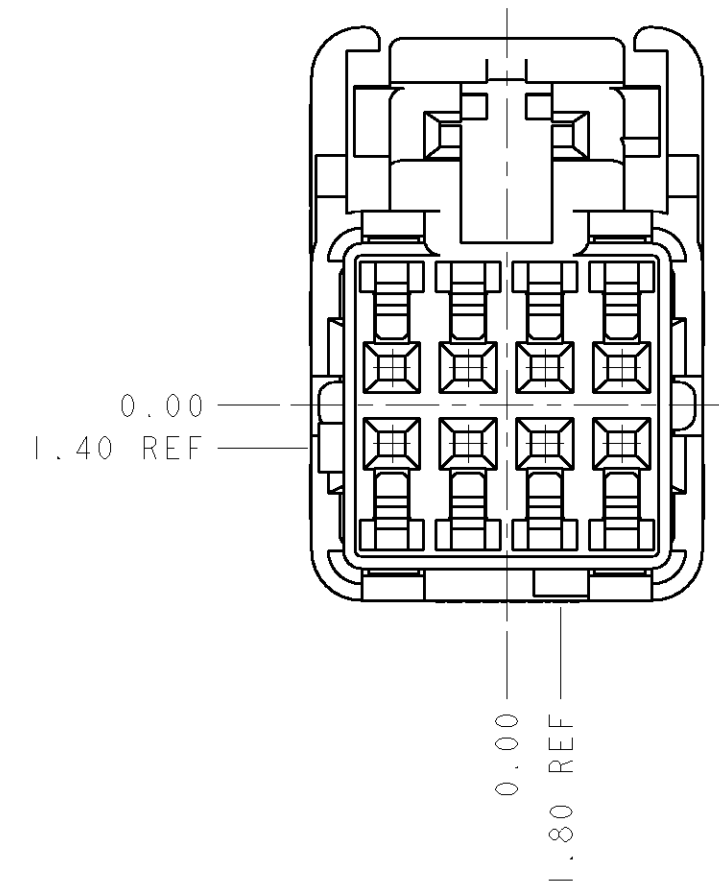
LOC	DIST	REVISIONS					
		P	LTR	DESCRIPTION	DATE	DWN	APVD
FX	00	-		SEE SHEET 1	-	-	-



KEY CODE "A"
 (APPLIES TO -1 AND -4 ONLY)
 SCALE 4:1



KEY CODE "B"
 (APPLIES TO -2 AND -5 ONLY)
 SCALE 4:1



KEY CODE "C"
 (APPLIES TO -3 AND -6 ONLY)
 SCALE 4:1

<small>THIS DRAWING IS A CONTROLLED DOCUMENT FOR TYCO ELECTRONICS CORPORATION IT IS SUBJECT TO CHANGE AND THE CONTROLLING ENGINEERING ORGANIZATION SHOULD BE CONTACTED FOR THE LATEST REVISION.</small>		DWN K.FOLTZ 26AUG99	Tyco Electronics Harrisburg, PA 17105-3608
DIMENSIONS: mm		CHK -	
		APVD -	NAME PLUG ASSEMBLY, UNSEALED, 8 POSITION 2X4, 0.64mm CONNECTOR
TOLERANCES UNLESS OTHERWISE SPECIFIED: 0 PLC ± 1 PLC ±0.4 2 PLC ±0.30 3 PLC ± 4 PLC ± ANGLES ± FINISH -		PRODUCT SPEC -	SIZE A2
MATERIAL -		APPLICATION SPEC -	CAGE CODE 00779
		WEIGHT -	DRAWING NO 638392
		CUSTOMER DRAWING	RESTRICTED TO -
		SCALE 4:1	SHEET 2 OF 2 REV A