

6

5

4

3

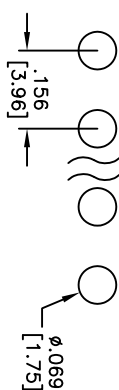
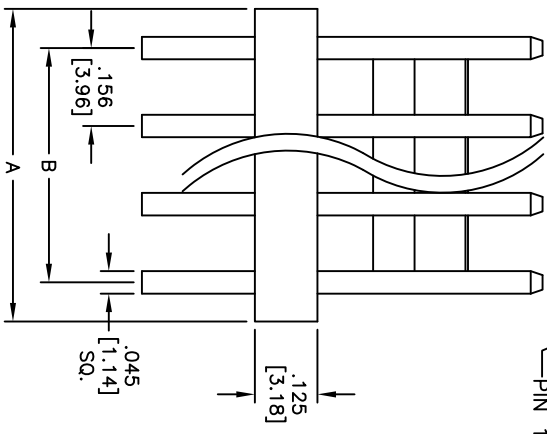
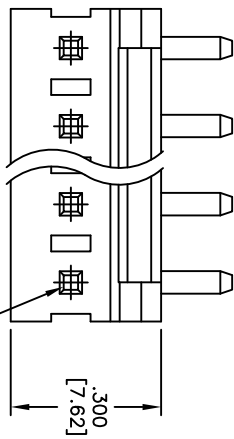
2

1

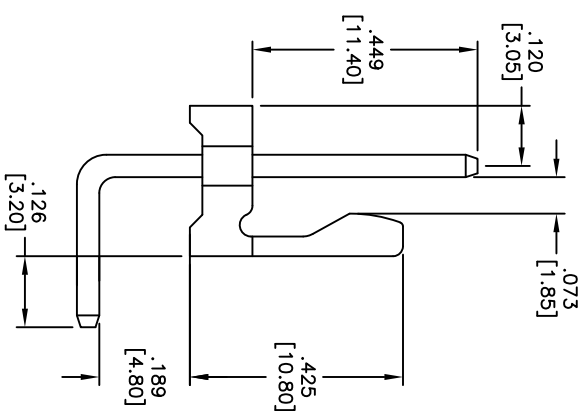
APPROVED: \_\_\_\_\_

DATE: \_\_\_\_\_ TITLE: \_\_\_\_\_

Rev	AWO #	Description	Date	Appr
-		RELEASED	6/17/11	
A		REVISED SHAPE	7/24/13	
B		REVISED DIM.	2/17/14	AY/MY



RECOMMENDED PCB LAYOUT



Positions: 2 thru 20  
 A = .156 [3.96] x No. of Positions  
 B = .156 [3.96] x No. of Spaces

SPECIFICATIONS:  
 Material: PA66, glass reinforced, rated UL 94V-2  
 Insulator color: White  
 Insulator contact: Brass, Tin plated  
 Electrical:  
 Current rating: 7 Amps max  
 Contact resistance: 20mohms max  
 Insulation resistance: 1,000 Mohms min  
 Dielectric withstanding voltage: 1,000 VAC for 1 minute  
 Temperature Rating:  
 Operating temperature: -40°C to +85°C  
 Environmental:  
 Lead free, RoHS compliant

A

B

C

D

A

B

C

D

**ADAM TECH**  
 909 Railway Avenue, Union, NJ 07083  
 Phone: 908-687-5000 Fax: 908-687-5710

TITLE: **.156 [3.96] HEADER, REVERSE RIGHT ANGLE**

UNLESS OTHERWISE SPECIFIED ALL DIMENSIONS ARE INCHES [MM]	
TOLERANCES: EXCEPT AS NOTED	
INCHES	HOLDS
.X ± .10	± .10
.XX ± .020	± .015
.XXX ± .015	± .010
APPROVALS	DATE
DRAWN	DY
CHECKED	6/17/11
APPROVED	

SIZE	PART NO.	REV.
X	LHD-XX-TRB	B
REF: S0009C	SCALE: NTS	SHEET 1 OF 1



6

5

4

3

2

1