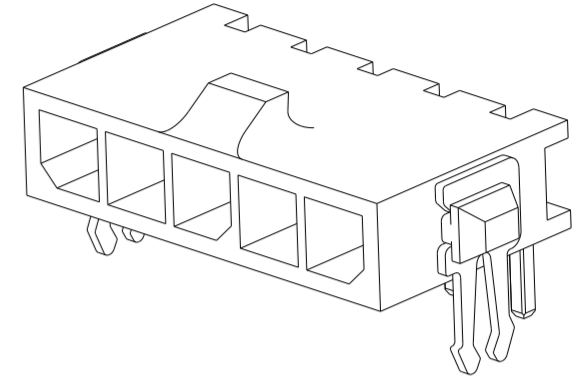
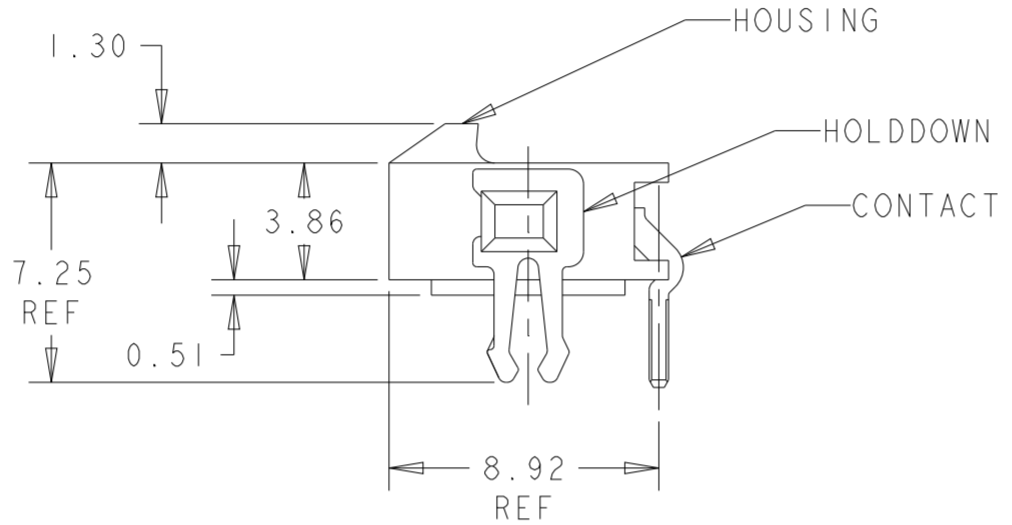
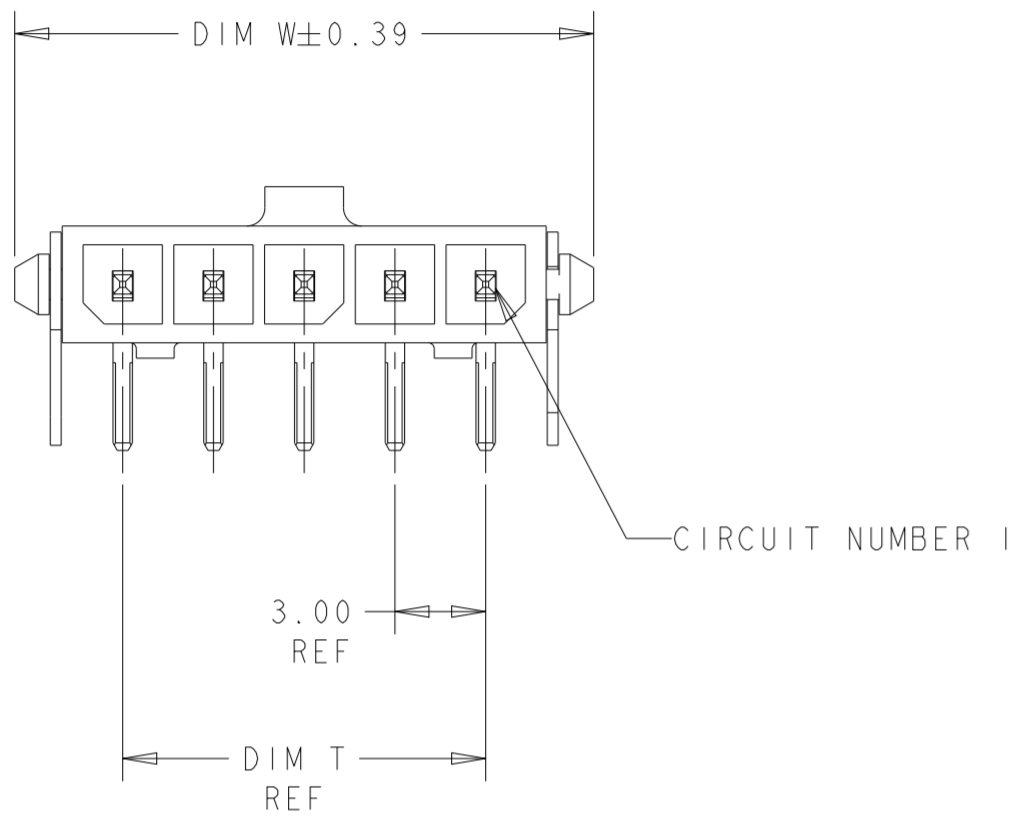
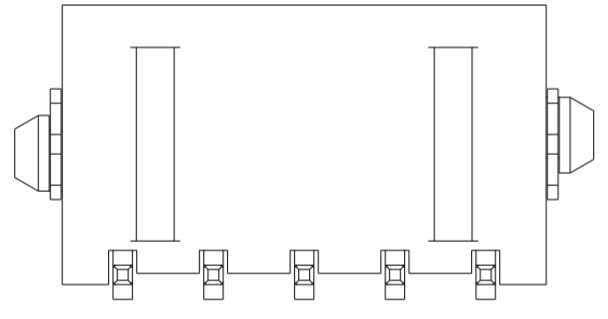


THIS DRAWING IS UNPUBLISHED. RELEASED FOR PUBLICATION 20
 © COPYRIGHT 20 BY - ALL RIGHTS RESERVED.

LOC	DIST	REVISIONS					
CM	00	P	LTR	DESCRIPTION	DATE	DWN	APVD
		A2		REVISED PER ECR-16-011506	04JUL2017	BW	CX
		A3		ECO-19-006934	10MAY2019	AP	WS
		A4		REVISED PER ECN-22-179646	01NOV2022	WLS	VS



- 1 MATERIAL: HOUSING - UL 94V-0 RATED HIGH TEMP NYLON, COLOR BLACK.
CONTACTS - BRASS
HOLDDOWNS: - PHOSPHOR BRONZE.
- 2 RECOMMENDED PC BOARD THICKNESS OF 1.57.
- 3 PLATING: CONTACTS - 2.54µm MINIMUM MATTE TIN OVER 1.27µm MINIMUM NICKEL.
HOLDDOWNS: 2.54µm MINIMUM MATTE TIN OVER 1.27µm MINIMUM NICKEL.
- 4 COUNTERPART RECOMMENDED IS PN 1445022 OR 2008571 (DASH ACC. TO NUMBER OF POSITION).
- 5 FOR REELING DIRECTION AND PACKAGING TYPE, SEE SPECIFICATION 114-13000.



33.00	37.43	33.00	40.14	12	3-1445054-2
30.00	34.43	30.00	37.14	11	3-1445054-1
27.00	31.43	27.00	34.14	10	3-1445054-0
24.00	28.43	24.00	31.14	9	2-1445054-9
21.00	25.43	21.00	28.14	8	2-1445054-8
18.00	22.43	18.00	25.14	7	2-1445054-7
15.00	19.43	15.00	22.14	6	2-1445054-6
12.00	16.43	12.00	19.14	5	2-1445054-5
9.00	13.43	9.00	16.14	4	2-1445054-4
6.00	10.43	6.00	13.14	3	2-1445054-3
3.00	7.43	3.00	10.14	2	2-1445054-2
DIM Z	DIM V	DIM T	DIM W	NO. OF POSN	PART NUMBER

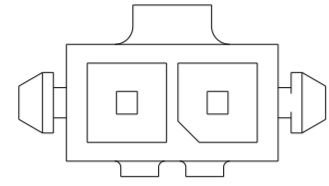
THIS DRAWING IS A CONTROLLED DOCUMENT.

DIMENSIONS:	TOLERANCES UNLESS OTHERWISE SPECIFIED:	DWN	06OCT2000	TE Connectivity RIGHT ANGLE THRU HOLE HDR ASSY, TIN CTC W/ THRU HOLE HOLDDOWNS, SINGLE ROW, MICRO MATE-N-LOW			
mm	0 PLC ± 1 PLC ± 2 PLC ±0.20 3 PLC ± 4 PLC ±	CHK	13-MAR-2001				
	ANGLES ±1°	APVD	13-MAR-2001				
	FINISH	NAME	K. WHITAKER				
MATERIAL		PRODUCT SPEC	108-1836	SIZE	CAGE CODE	DRAWING NO	RESTRICTED TO
		APPLICATION SPEC	114-13000	A2	00779	C-1445054	-
		WEIGHT	-	CUSTOMER DRAWING		SCALE	4:1
				SHEET		1	OF 2
				REV		A4	

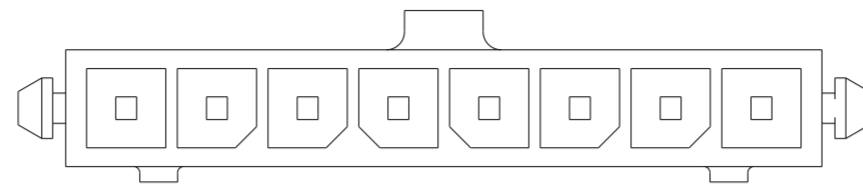
THIS DRAWING IS UNPUBLISHED. RELEASED FOR PUBLICATION 20
 © COPYRIGHT 20 BY - ALL RIGHTS RESERVED.

LOC	DIST	REVISIONS					
CM	00	P	LTR	DESCRIPTION	DATE	DWN	APVD
		-		SEE SHEET 1	-	-	-

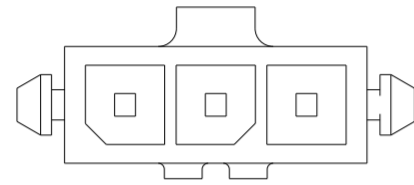
2 POS.



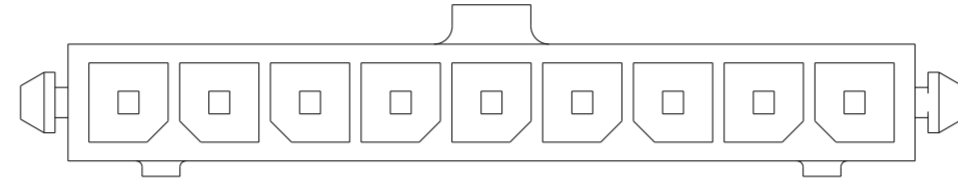
8 POS.



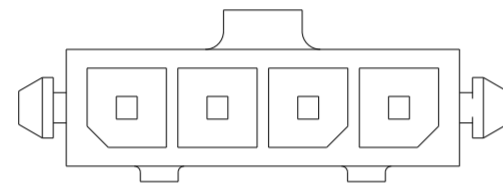
3 POS.



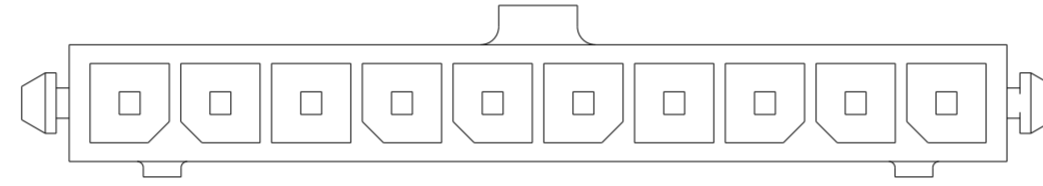
9 POS.



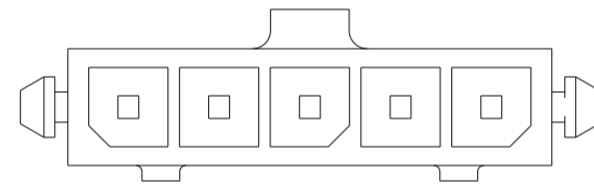
4 POS.



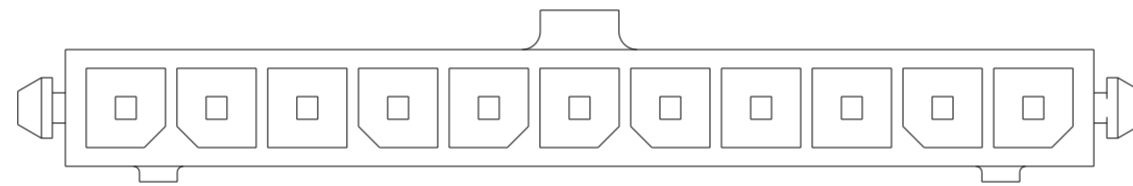
10 POS.



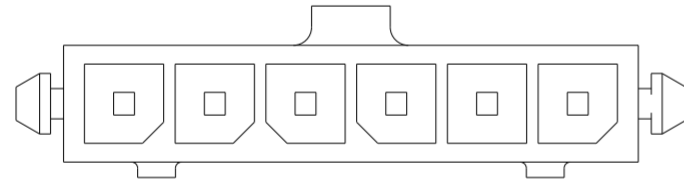
5 POS.



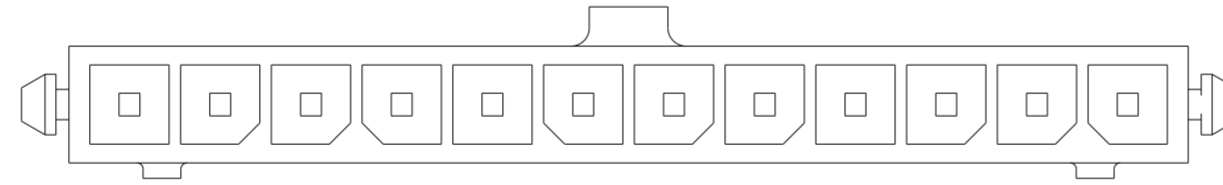
11 POS.



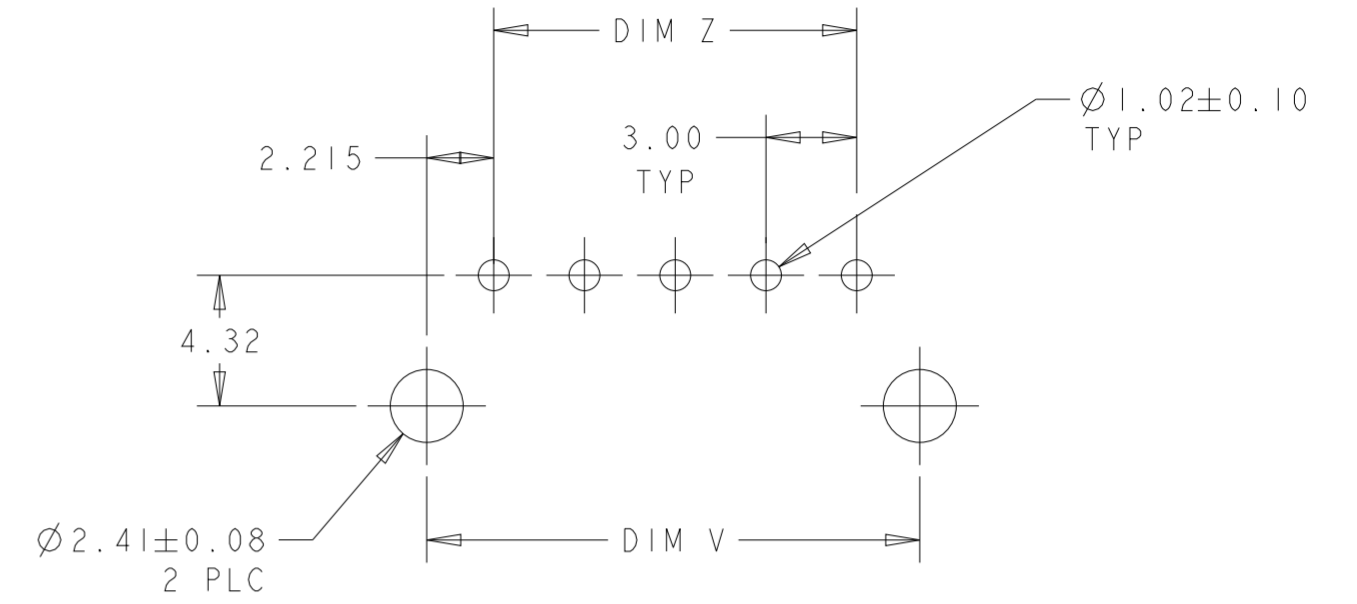
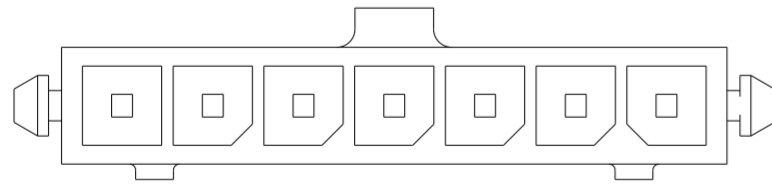
6 POS.



12 POS.



7 POS.



PCB LAYOUT COMPONENT SIDE

KEYING BY POSITION SIZE

THIS DRAWING IS A CONTROLLED DOCUMENT.		DWN J. ROOT 06OCT2000	TE Connectivity	
DIMENSIONS: mm		CHK K. WHITAKER 13-MAR-2001		
TOLERANCES UNLESS OTHERWISE SPECIFIED:		APVD K. WHITAKER 13-MAR-2001	NAME RIGHT ANGLE THRU HOLE HDR ASSY, TIN CTC W/ THRU HOLE HOLDDOWNS, SINGLE ROW, MICRO MATE-N-LOK	
		PRODUCT SPEC 108-1836	SIZE A2	CAGE CODE 00779
MATERIAL		APPLICATION SPEC 114-13000	DRAWING NO C-1445054	RESTRICTED TO -
FINISH		WEIGHT -	SCALE 4:1	SHEET 2 OF 2
		CUSTOMER DRAWING	REV A4	