

6

5

4

3

2

1

E

E

D

D

C

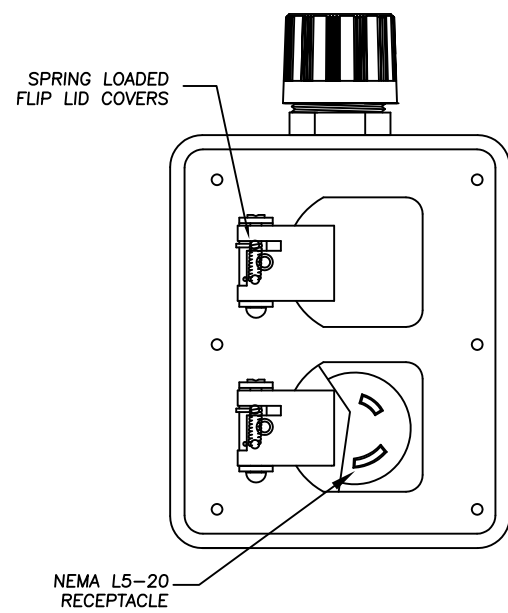
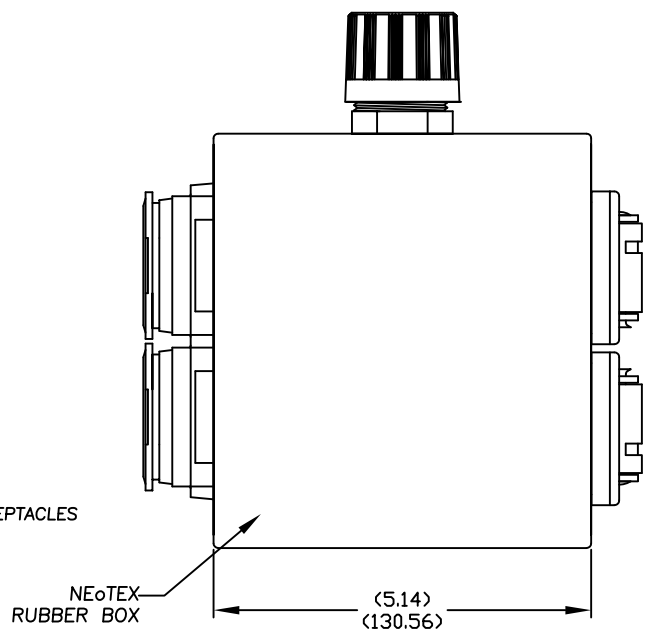
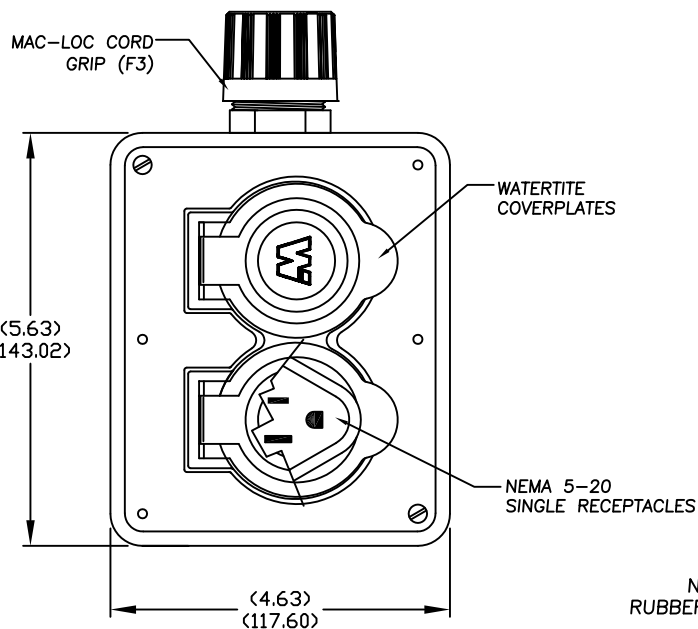
C

B

B

A

A



SUPPLIED WITH GROMMET RANGE: .562-.687

| | | | | | | | | | | | | |
|--|--------------------|---|---|--|---|---|---|--|------------------------|----------------------------|--|--|
| RELEASE DRAWING EC NO: WNA2010-0621 DRWN: TVICKERS 2010/04/06 CHKD: HK APPR: DTITUS 2010/06/16 | DESCRIPTION REV | QUALITY SYMBOLS $\nabla=0$ $\nabla C=0$ | GENERAL TOLERANCES (UNLESS SPECIFIED) | | DIMENSION STYLE IN/MM | | SCALE NTS | DESIGN UNITS INCH | THIRD ANGLE PROJECTION | | | |
| | | 4 PLACES $\pm---$ mm $\pm---$ INCH 3 PLACES $\pm---$ mm ± 0.05 INCH 2 PLACES ± 0.13 mm ± 0.10 INCH 1 PLACE ± 0.25 mm ± 0.20 INCH | DRAWN BY DATE TVICKERS 2010/04/06 | | CHECKED BY DATE HK 2010/04/06 | | TITLE PORTABLE OUTLET BX (2)NEMA 5-20 (2)NEMA L5-20 | | | | | |
| | | ANGULAR $\pm .5^\circ$ | | APPROVED BY DATE DTITUS 2010/06/14 | | MATERIAL NO. 1301350372 | | MOLEX INCORPORATED DOCUMENT NO. SD-130135-031 | | SHEET NO. 1 OF 1 | | |
| | | DRAFT WHERE APPLICABLE MUST REMAIN WITHIN DIMENSIONS | | SIZE A | | THIS DRAWING CONTAINS INFORMATION THAT IS PROPRIETARY TO MOLEX INCORPORATED AND SHOULD NOT BE USED WITHOUT WRITTEN PERMISSION | | | | | | |
| | | A | | | | | | | | | | |

6

5

4

3

2

1