

APPROVED: \_\_\_\_\_

DATE: \_\_\_\_\_ TITLE: \_\_\_\_\_

Rev	AWO #	Description	Date	Appr
-		RELEASED	5/28/21	
A		UPDATED DRAWING	9/27/21	JJ/RC

D

D

C

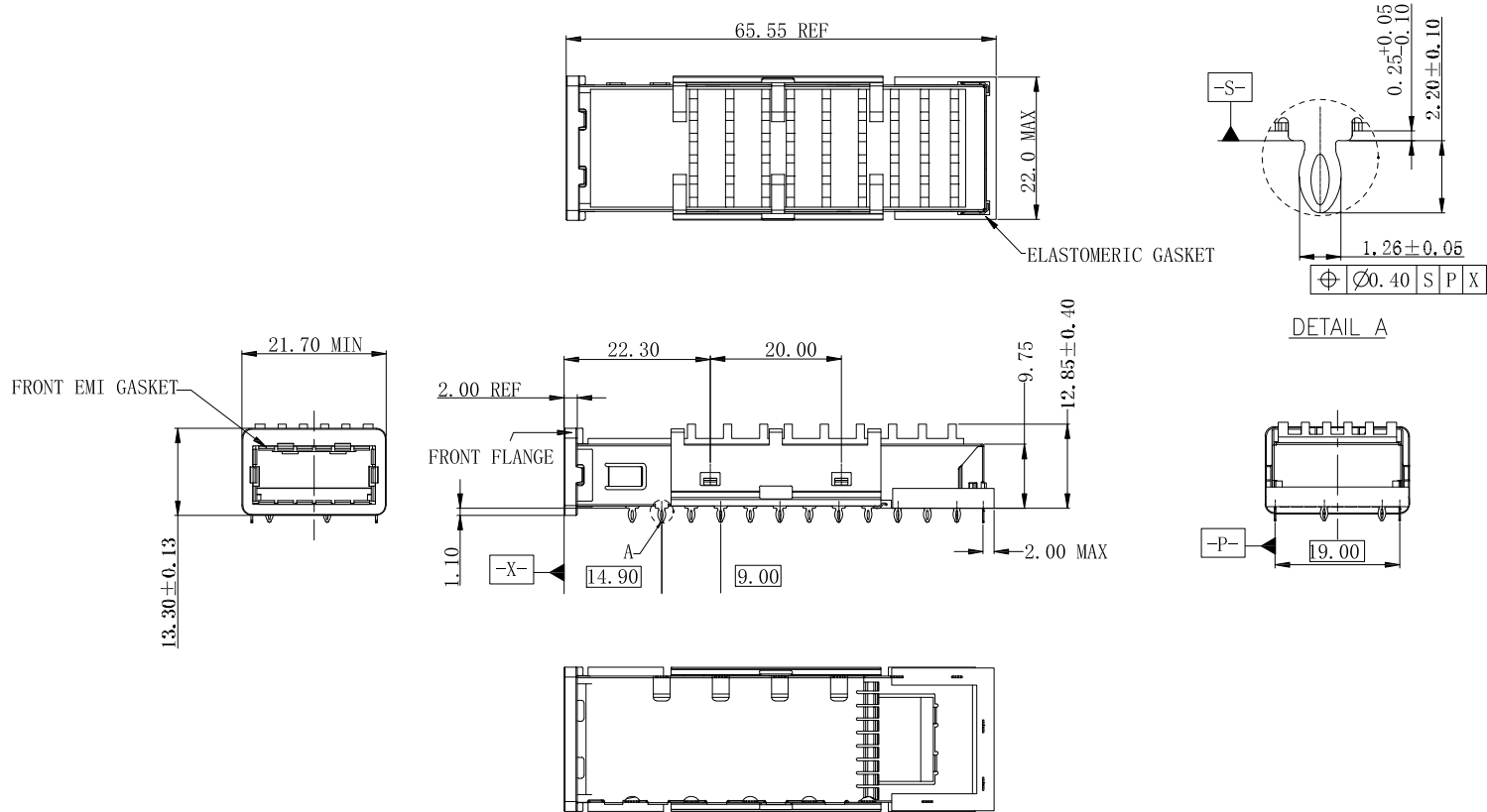
C

B

B

A

A



SPECIFICATIONS:

Material:

Cage: Copper Alloy

Electrometric Gasket: Conductive Rubber

Cage Rear EMI Gasket: Conductive Foam

Front Flange: Zinc Alloy, Nickel Plated

Front EMI Gasket: Copper Alloy, Tin over Nickel underplate overall

Heat Sink Clip: Copper Alloy

Heat Sink: Aluminum

Temperature Rating:

Operating temperature: -40°C to +85°C

Environmental:

Lead free, RoHS compliant



UNLESS OTHERWISE SPECIFIED ALL DIMENSIONS ARE MILLIMETERS. TOLERANCES: EXCEPT AS NOTED

mm	Angles
.x ± .25	± 2°
.xx ± .13	
.xxx ± .10	



909 Rahway Avenue,  
Union, NJ 07083  
Phone: 908-687-5000  
Fax: 908-687-5710

DRAWN	WX	5/28/21
CHECKED	RC	5/28/21
APPROVED		

TITLE		
10 GIGABIT SMALL FORM FACTOR CAGE, 1PORT DIP TYPE, EMI CLIP W/ GASKET, W/ HEAT SINK		
SIZE	PART NO.	REV.
X	XFC-1-CS2A-EMI-HSK	A

THIS DRAWING CONTAINS INFORMATION THAT IS PROPRIETARY AND SHOULD NOT BE USED WITHOUT PRIOR WRITTEN PERMISSION FROM ADAM TECH

REF:	S00005C	SCALE:	NTS	SHEET	1 OF 2
------	---------	--------	-----	-------	--------

6

5

4

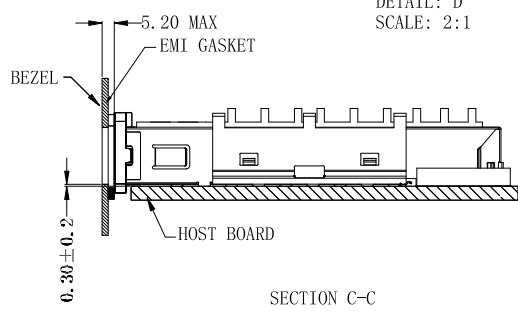
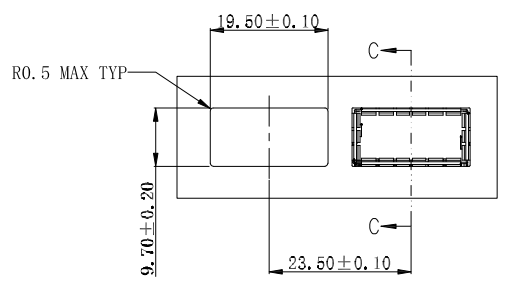
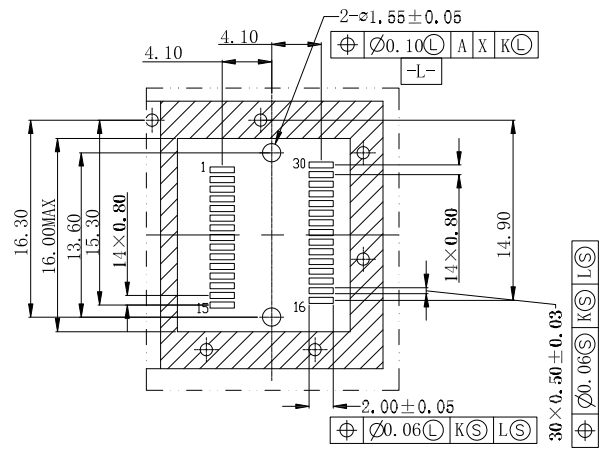
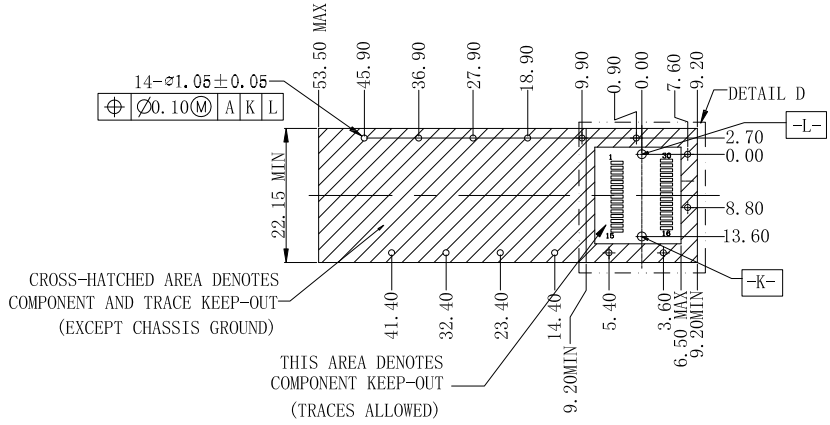
3

2

1

Rev	AWO #	Description	Date	Appr
SEE SHT 1 OF 2 FOR REVISION				

APPROVED: \_\_\_\_\_  
DATE: \_\_\_\_\_ TITLE: \_\_\_\_\_



UNLESS OTHERWISE SPECIFIED ALL DIMENSIONS ARE MILLIMETERS. TOLERANCES: EXCEPT AS NOTED

mm		Angles
.X	± .25	± 2°
.XX	± .13	
.XXX	± .10	

DRAWN	WX	5/28/21
CHECKED	RC	5/28/21
APPROVED		

THIS DRAWING CONTAINS INFORMATION THAT IS PROPRIETARY AND SHOULD NOT BE USED WITHOUT PRIOR WRITTEN PERMISSION FROM ADAM TECH

**ADAM TECH** 909 Rahway Avenue,  
Union, NJ 07083  
Phone: 908-687-5000  
Fax: 908-687-5710

TITLE		REV. A
10 GIGABIT SMALL FORM FACTOR CAGE, 1PORT DIP TYPE, EMI CLIP W/ GASKET, W/ HEAT SINK		
SIZE X	PART NO. XFC-1-CS2A-EMI-HSK	
REF: S00005C	SCALE: NTS	SHEET 2 OF 2