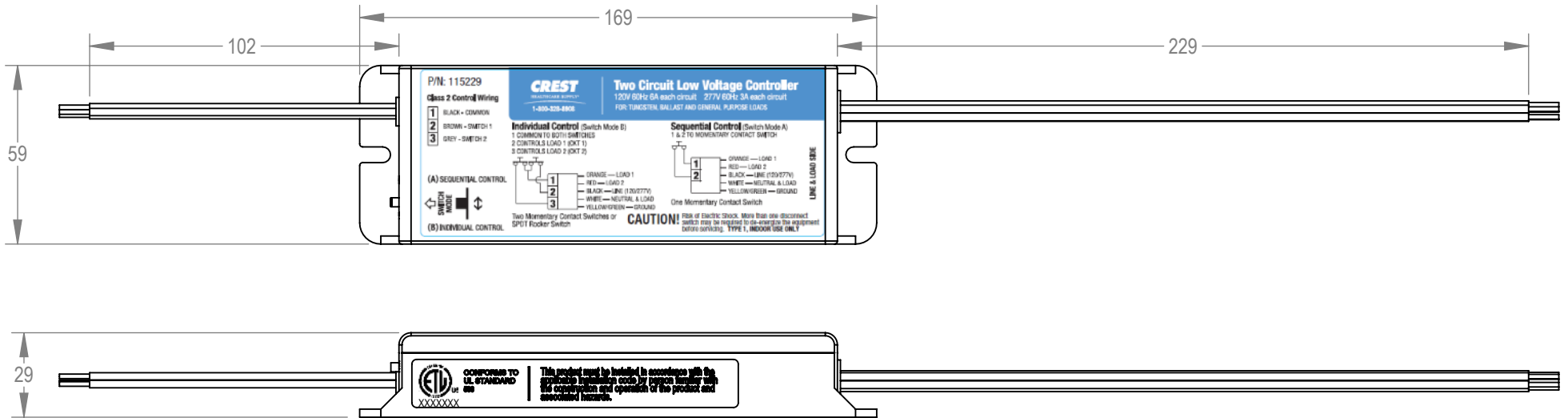


LABEL	WIRE	FUNCTION
a	ORANGE	LOAD 1
b	RED	LOAD 2
c	BLACK	LINE
d	WHITE	LINE AND LOAD
e	YELLOW/GREEN	GROUND
1	BLACK	COMMON
2	BROWN	SWITCH 1
3	GREY	SWITCH 2



SPECIFICATIONS:
 INPUT VOLTAGE: 120V 60Hz 6A
 277V 60Hz 3A
 FOR TUNGSTEN, BALLAST AND GENERAL PURPOSE LOADS
 OUTPUT VOLTAGE: 120V-277V 60Hz
 ETL LISTED (CONFORMS TO UL STD. 508)

1, 2, 3 WIRES 18 AWG, AWM 1007 INSULATED, VW-1 FT 1 RATED
 REMAINING WIRES 18 AWG, AWM 1015 INSULATED, VW-1 FT 1 RATED

ALL DIMENSIONS ARE IN MM TOLERANCES UNLESS SPECIFIED X ± .51 X.X ± .25 X.XX ± .13 < ±1° THIRD ANGLE PROJECTION	DRAWN BY BMN	THIS DOCUMENT IS CONFIDENTIAL AND IS THE SOLE PROPERTY OF CREST ELECTRONICS, INC. ANY REPRODUCTION IN PART OR WHOLE WITHOUT WRITTEN PERMISSION IS PROHIBITED 		
	DATE 12/02/20	APPROVED BY BMN	DESCRIPTION CONTROLLER, LOW VOLTAGE, 2 CIRCUIT	
	DATE 12/02/20	SIZE A	DWG. NO. 115229-ND	REV. 01
	SCALE: NTS	SHEET 1 OF 1		