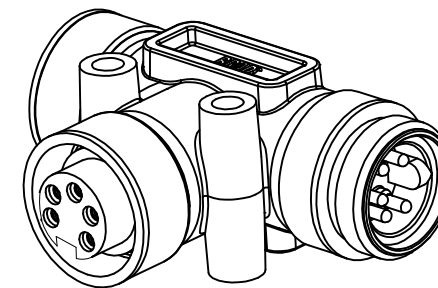
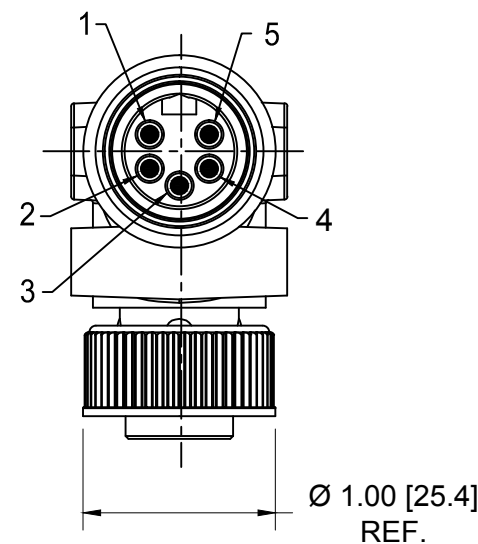
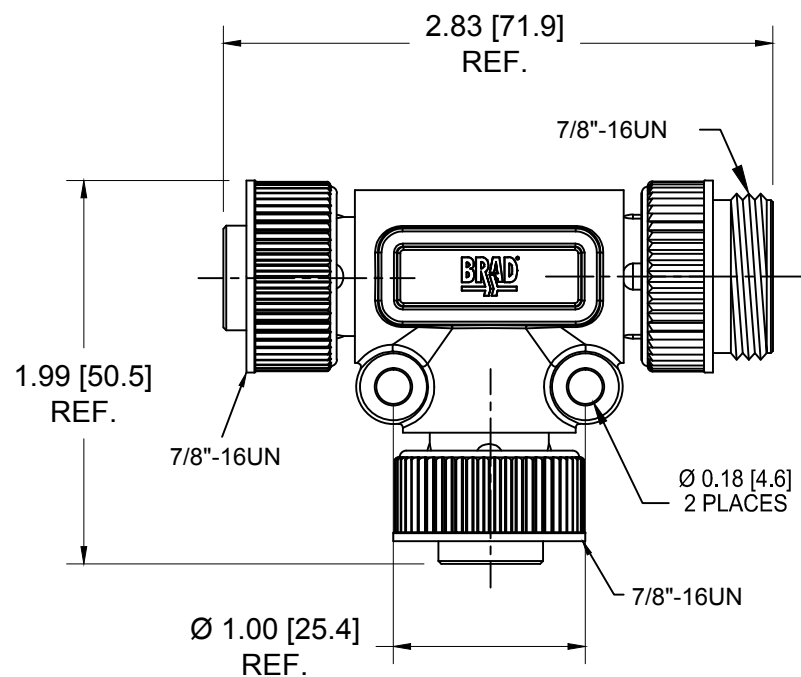
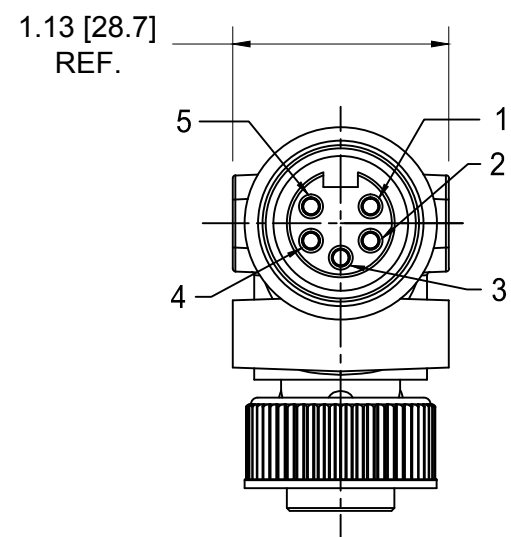


MOLEX SAP P/N

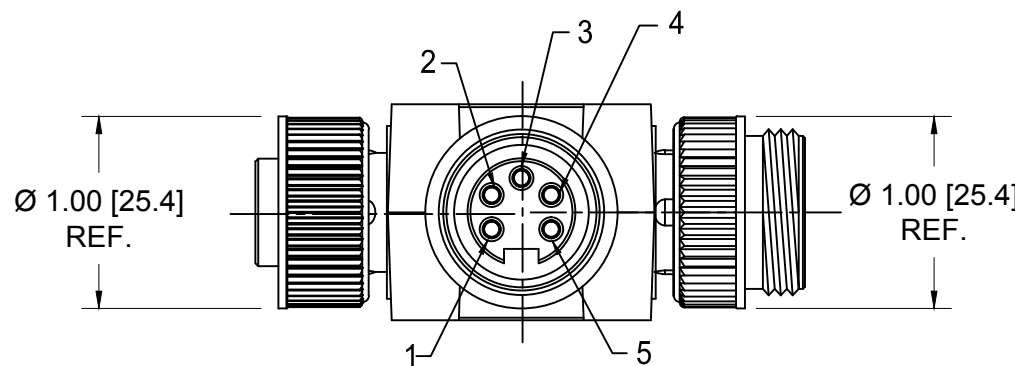
ENGINEERING P/N

1201010001

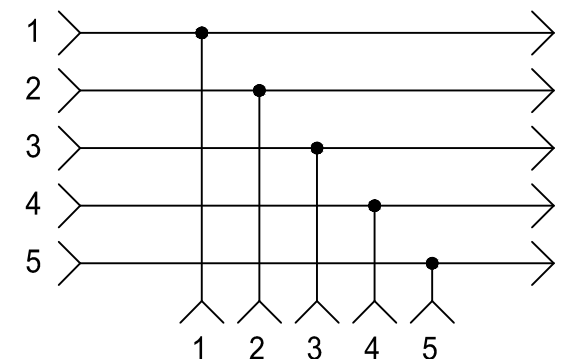
PBAPT



AUX VIEW  
(SCALE: 3:4)



SCHEMATIC



SPECIFICATIONS:

COUPLING NUT MATERIAL: ZINC DIECAST WITH  
BLACK ELECTROPHORETIC COATING  
CONTACT MATERIAL: GOLD/NICKEL OVER COPPER ALLOY  
INSERT MATERIAL: YELLOW TPE  
OVERMOLD MATERIAL: YELLOW TPE  
VOLTAGE RATING: 400V PER IEC 60664 (C1)  
VOLTAGE RATING: 600V PER UL 2238  
CURRENT RATING: 10A  
ENVIRONMENTAL: -20°C TO 80°C  
IP67 WHEN MATED  
AGENCY APPROVALS: UL LISTED

IEC VOLTAGE WAS 320V EC NO: IPG2017-0882 DRWN: RSTONE 3/29/17 CHKD: M ZIELIN 2017/04/10 APPR: BWOODMAN	QUALITY SYMBOLS ▽=0 C=0	GENERAL TOLERANCES (UNLESS SPECIFIED)		DIMENSION STYLE INCH/MM		SCALE 1:1	DESIGN UNITS INCH	THIRD ANGLE PROJECTION		
		4 PLACES	mm ±---	INCH ±---	DRAWN BY VOU	DATE 2012/06/26	MINI-CHANGE 5-POLE TEE PROFIBUS			
		3 PLACES	mm ±---	INCH ±---	CHECKED BY KJ	DATE 2010/01/28				
		2 PLACES	mm ±---	INCH ±---	APPROVED BY DATE		MOLEX INCORPORATED		SHEET NO. 1 OF 1	
1 PLACE	mm ±---	INCH ±---	MATERIAL NO.		DOCUMENT NO.					
DRAFT WHERE APPLICABLE MUST REMAIN WITHIN DIMENSIONS		ANGULAR ±.5°		SEE CHART		SD-120101-002		THIS DRAWING CONTAINS INFORMATION THAT IS PROPRIETARY TO MOLEX INCORPORATED AND SHOULD NOT BE USED WITHOUT WRITTEN PERMISSION		

C1

SIZE B