

Pushbutton Switches

Nylon



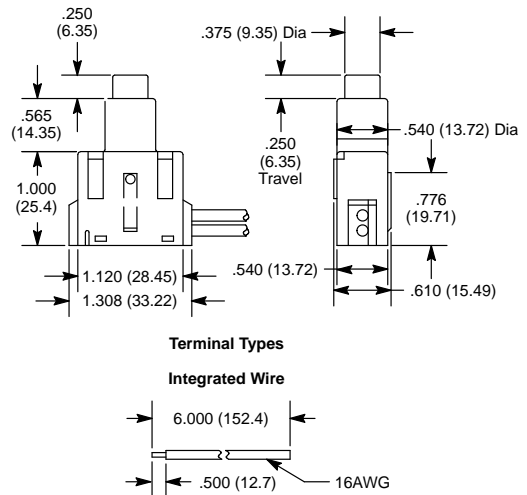
Features

- Heavy Duty
- 6" Wire Leads
- Both Bushing & Bracket are Made of Nylon



NTE Type No.	Circuitry	Action		Actuator	Diag No.
54-072	SPST	ON	OFF	Nylon	S13

S13



Specifications

Current Rating: 15A 125VAC, 10A 250VAC, 3/4 HP 125-250VAC
Insulation Resistance: 100 Megohms (min.)
Dielectric Strength: 1000V RMS (min.)
Temperature Rating: +32° to +185°F (0° to +85°C)
Electrical Life: 100,000 cycles
Mechanical Life: 25,000 cycles
Terminal Type: Integrated Wire Type
Mounting Hole: .550 (13.97)

Heavy Duty, Metal Plunger



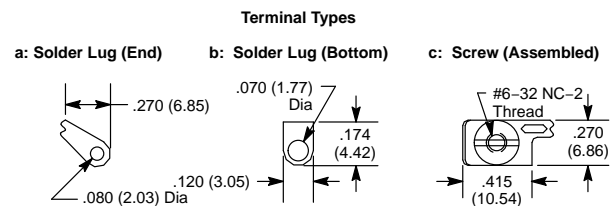
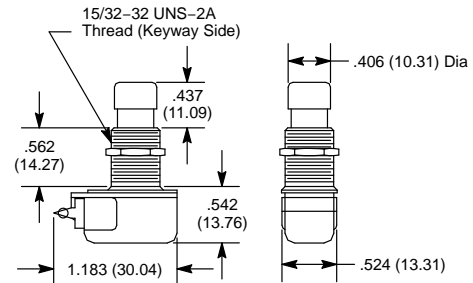
Features

- AC/DC Rated
- Quick Make, Quick Break Contacts
- Self-Cleaning Contacts
- Suitable for Foot Switches
- Typical Actuation Force: 6-8lbs.



NTE Type No.	Circuitry	Action		Actuator	Diag No.
54-066	SPST	OFF	(ON)	Brass/Nickel Plate	S12a
54-067	SPST	ON	(OFF)	Brass/Nickel Plate	S12a
54-068	SPST	ON	OFF	Brass/Nickel Plate	S12b
54-069	SPST	ON	OFF	Brass/Nickel Plate	S12c

S12



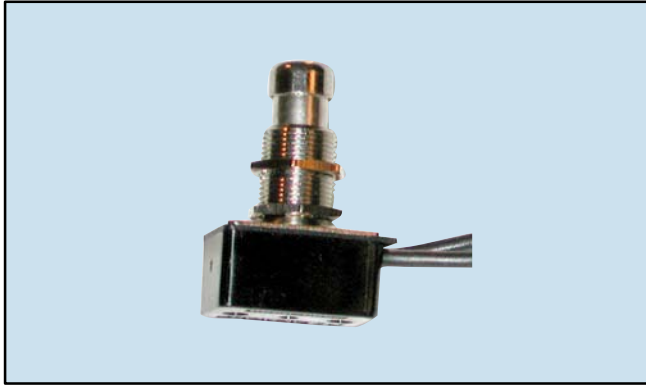
Specifications

Current Rating: 6A 125VAC, 3A 250VAC, AC/DC
Insulation Resistance: 100 Megohms (min.)
Dielectric Strength: 1000V RMS (min.)
Temperature Rating: +32° to +185°F (0° to +85°C)
Electrical Life: 100,000 cycles
Mechanical Life: 25,000 cycles
Terminal Type: Refer to Diag No. in Table
Mounting Hole: .500 (12.7)

SPECIAL NOTE: () = Momentary Function

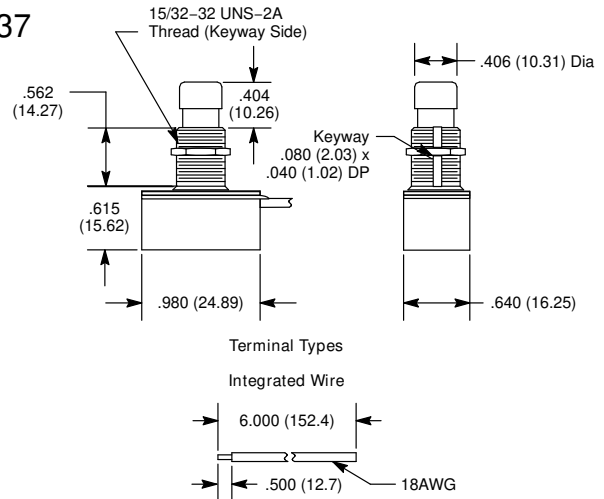
Pushbutton Switches

Metal Plunger, Wire Leads



NTE Type No.	Circuitry	Action		Actuator	Diag No.
54-132	SPST	ON	OFF	Metal	S37

S37



Specifications

Current Rating: 10A 250VAC, 8A 125VDC, 4A 250VDC, 1/3 HP 125VAC
 Dielectric Strength: 1000V RMS (min.)
 Temperature Rating: +149°F (+65°C) Max
 Electrical Life: 25,000 cycles Min
 Mechanical Life: 100,000 cycles
 Terminal Type: Integrated Wire
 Mounting Hole: .500 (12.7)

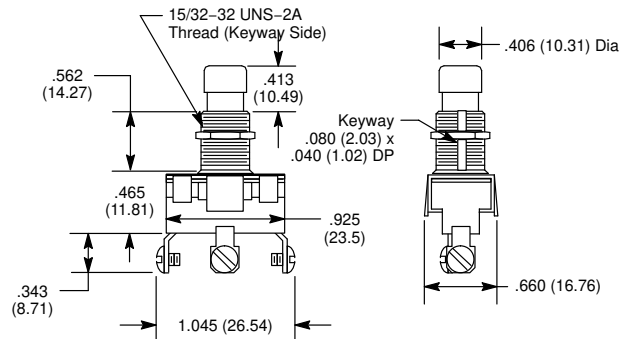
Metal Plunger, Screw Terminals



NTE Type No.	Circuitry	Action		Actuator	Diag No.
54-133	SPST	ON	OFF	Metal	S38
54-134	SPST	OFF	(ON)	Metal	S38
54-135	SPST	ON	(OFF)	Metal	S38
54-136	SPDT	ON	ON	Metal	S38

SPECIAL NOTE: () = Momentary Function

S38



Specifications

Current Rating: 10A 250VAC, 15A 125VDC
 Dielectric Strength: 1000V RMS (min.)
 Temperature Rating: +149°F (+65°C) Max
 Electrical Life: 15,000 cycles Min
 Mechanical Life: 40,000 cycles
 Terminal Type: Screw Terminals
 Mounting Hole: .500 (12.7)

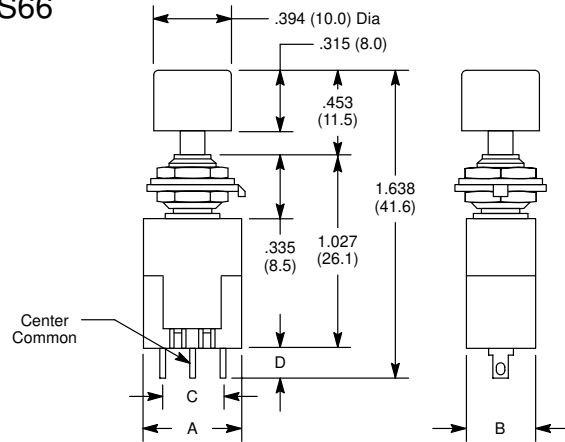
Pushbutton Switches

Panel Mount



NTE Type No.	Circuitry	Action		Actuator		Diag No.
				Material	Color	
54-380	SPDT	ON	ON	Polyamide	Black	S66
54-393	DPDT	ON	ON	Polyamide	Black	S66

S66



NTE Type	A	B	C	D
54-380	.512 (13.0)	.362 (9.2)	.331 (8.4)	.157 (4.0)
54-393	.453 (11.5)	.433 (11.0)	.307 (7.8)	.177 (4.5)

Specifications

Current Rating: 3A 125VAC
 Insulation Resistance: 100 Megohms (min.)
 Dielectric Strength: 1000V RMS (min.)
 Temperature Rating: +14° to +131°F (-10° to +55°C)
 Electrical Life: 10,000 cycles
 Mechanical Life: 30,000 cycles
 Terminal Type: Solder Lug
 Mounting Hole: .244 (6.2)

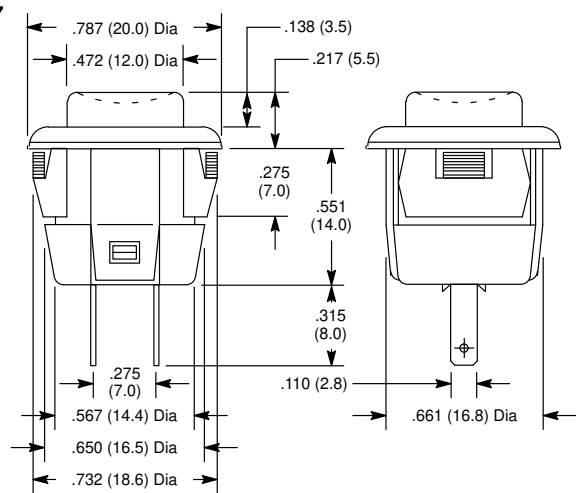
Snap-In, Round



NTE Type No.	Circuitry	Action		Actuator		Diag No.
				Material	Color	
54-385	SPST	OFF	(ON)	Molded ABS Resin	Red	S67
54-385A	SPST	OFF	ON	Molded ABS Resin	Red	S67

SPECIAL NOTE: () = Momentary Function

S67



Specifications

Current Rating: 3A 125VAC
 Insulation Resistance: 100 Megohms (min.) at 500VDC
 Dielectric Strength: 1000V RMS (min.)
 Temperature Rating: +14° to +131°F (-10° to +55°C)
 Electrical Life: 5,000 cycles
 Mechanical Life: 30,000 cycles
 Terminal Type: Solder Lug
 Mounting Hole: .700 (17.8)

Pushbutton Switches

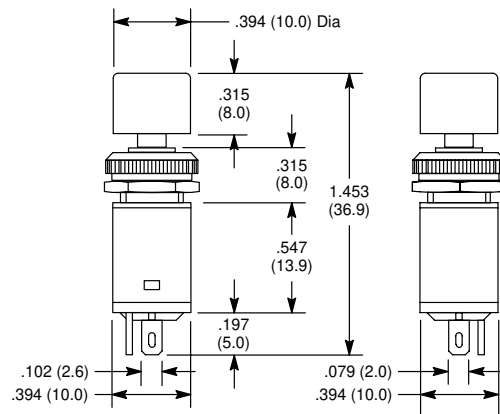
Panel Mount



NTE Type No.	Circuitry	Action		Actuator		Diag No.
				Material	Color	
54-382	SPST	OFF	ON	Molded Polyacetal Resin	Black	S70
54-383	SPDT	ON	ON	Molded Polyacetal Resin	Black	S70
54-384	SPST	OFF	(ON)	Molded Polyacetal Resin	Black	S70

SPECIAL NOTE: () = Momentary Function

S70



Specifications

Current Rating: 3A 125VAC
 Insulation Resistance: 100 Megohms (min.) at 500VDC
 Dielectric Strength: 1000V RMS (min.)
 Temperature Rating: +14° to +131°F (-10° to +55°C)
 Electrical Life: 10,000 cycles; 5,000 cycles (54-384 Only)
 Mechanical Life: 30,000 cycles
 Terminal Type: Solder Lug
 Mounting Hole: .323 (8.2)

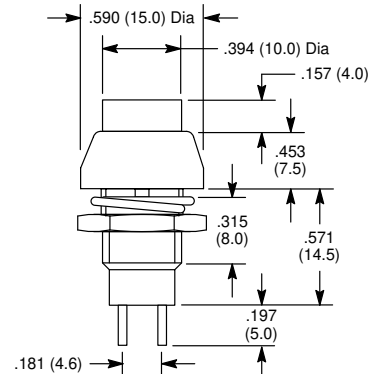
Panel Mount, Round



NTE Type No.	Circuitry	Action		Actuator		Diag No.
				Material	Color	
54-388	SPST	OFF	(ON)	ABS Resin	Black	S72

SPECIAL NOTE: () = Momentary Function

S72



Specifications

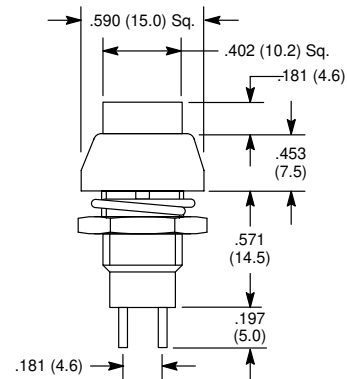
Current Rating: 3A 125VAC, 1A 250VAC
 Insulation Resistance: 100 Megohms (min.) at 500VDC
 Dielectric Strength: 1500V RMS (min.)
 Temperature Rating: +14° to +131°F (-10° to +55°C)
 Electrical Life: 50,000 cycles
 Mechanical Life: 100,000 cycles
 Terminal Type: Solder Lug
 Mounting Hole: .402 (10.2)

Pushbutton Switches

Panel Mount, Square



S73



NTE Type No.	Circuitry	Action		Actuator		Diag No.
				Material	Color	
54-389	SPST	OFF	(ON)	ABS Resin	Black	S73
54-390-2	SPST	OFF	ON	ABS Resin	Black	S73
54-391-2	SPST	OFF	ON	ABS Resin	Red	S73

SPECIAL NOTE: () = Momentary Function

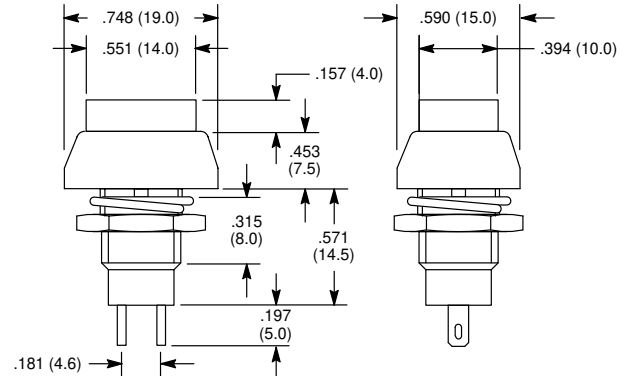
Specifications

Current Rating: 3A 125VAC, 1A 250VAC
 Insulation Resistance: 100 Megohms (min.) at 500VDC
 Dielectric Strength: 1500V RMS (min.)
 Temperature Rating: +14° to +131°F (-10° to +55°C)
 Electrical Life: 50,000 cycles
 Mechanical Life: 100,000 cycles
 Terminal Type: Solder Lug
 Mounting Hole: .402 (10.2)

Panel Mount, Rectangular



S74



NTE Type No.	Circuitry	Action		Actuator		Diag No.
				Material	Color	
54-390	SPST	OFF	(ON)	ABS Resin	Black	S74
54-391	SPST	OFF	(ON)	ABS Resin	Red	S74

SPECIAL NOTE: () = Momentary Function

Specifications

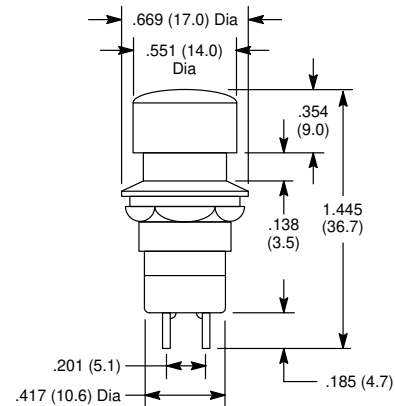
Current Rating: 3A 125VAC, 1A 250VAC
 Insulation Resistance: 100 Megohms (min.) at 500VDC
 Dielectric Strength: 1500V RMS (min.)
 Temperature Rating: +14° to +131°F (-10° to +55°C)
 Electrical Life: 50,000 cycles
 Mechanical Life: 100,000 cycles
 Terminal Type: Solder Lug
 Mounting Hole: .402 (10.2)

Pushbutton Switches

Panel Mount, Round



S75



NTE Type No.	Circuitry	Action		Actuator		Diag No.
				Material	Color	
54-392	SPST	OFF	ON	ABS Resin	Cream	S75

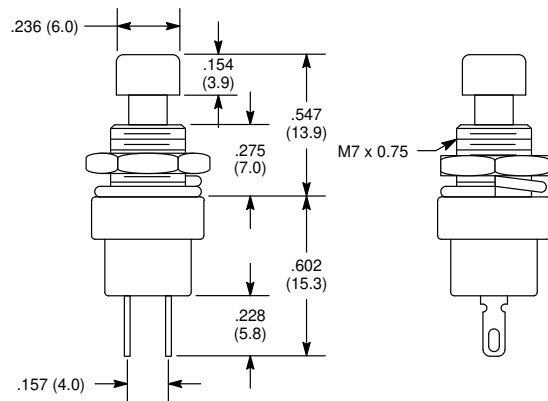
Specifications

Current Rating: 3A 250VAC
 Insulation Resistance: 100 Megohms (min.)
 Dielectric Strength: 1500V RMS (min.)
 Temperature Rating: +14° to +131°F (-10° to +55°C)
 Electrical Life: 10,000 cycles
 Mechanical Life: 30,000 cycles
 Terminal Type: Solder Lug
 Mounting Hole: .480 (12.2)

Panel Mount, Screw Type



S88



NTE Type No.	Circuitry	Action		Actuator		Diag No.
				Material	Color	
54-394	SPST	OFF	(ON)	Nylon	Red	S88

SPECIAL NOTE: () = Momentary Function

Specifications

Current Rating: 3A 125VAC, 1.5A 250VAC
 Insulation Resistance: 100 Megohms (min.) at 500VDC
 Dielectric Strength: 1000V RMS (min.)
 Temperature Rating: -4° to +149°F (-20° to +65°C)
 Electrical Life: 6000 cycles (min.)
 Mechanical Life: 100,000 cycles (min.)
 Terminal Type: Solder Lug
 Mounting Hole: .275 (7.0)

Pushbutton Switches

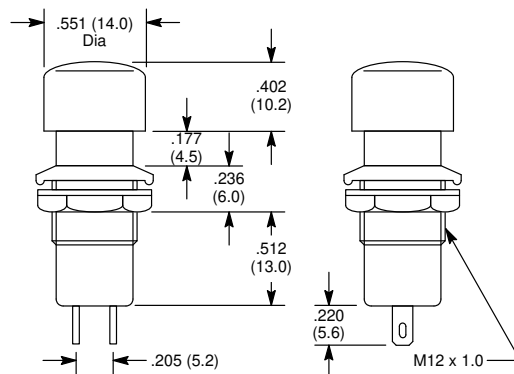
Metal Bezel, Screw Type



NTE Type No.	Circuitry	Action		Actuator		Diag No.
				Material	Color	
54-556	SPST	OFF	(ON)	ABS Resin	Red	S25
54-556-2	SPST	OFF	ON	ABS Resin	Red	S25
54-557	SPST	OFF	(ON)	ABS Resin	Yellow	S25
54-558	SPST	OFF	(ON)	ABS Resin	Black	S25

SPECIAL NOTE: () = Momentary Function

S25



Specifications

Current Rating: 3A 125VAC, 1.5A 250VAC
 Insulation Resistance: 100 Megohms (min.) at 500VDC
 Dielectric Strength: 1000V RMS (min.)
 Temperature Rating: -4° to +149°F (-20° to +65°C)
 Electrical Life: 6000 cycles (min.)
 Mechanical Life: 100,000 cycles (min.)
 Terminal Type: Solder Lug
 Mounting Hole: .480 (12.2)

Panel Mount, Square Bezel

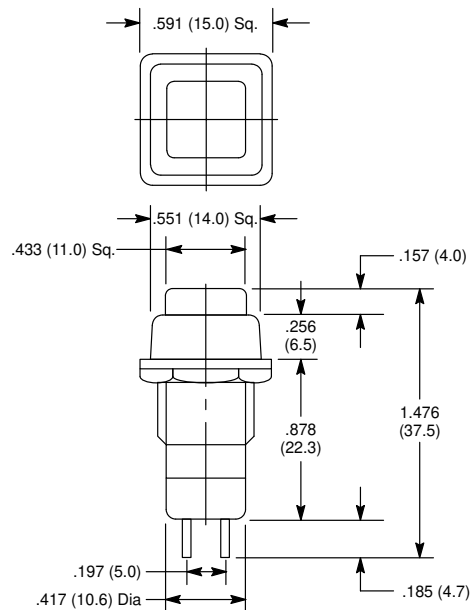


NTE Type No.	Circuitry	Action		Actuator		Diag No.
				Material	Color	
54-125	SPST	OFF	(ON)	Poly Oxy Methylene	Red	S109
54-125-2	SPST	OFF	ON	Poly Oxy Methylene	Red	S109

NEW

SPECIAL NOTE: () = Momentary Function

S109



Specifications

Current Rating: 3A 250VAC
 Insulation Resistance: 100 Megohms (min.) at 500VDC
 Dielectric Strength: 1500V RMS (min.)
 1000V RMS (min.) 54-125-2
 Temperature Rating: +14° to +131°F (-10° to +55°C)
 +32° to +149°F (0° to +65°C) 54-125-2
 Electrical Life: 5,000 cycles; 6,000 cycles (54-125-2)
 Mechanical Life: 30,000 cycles; 10,000 cycles (54-125-2)
 Terminal Type: Solder lug
 Mounting Hole: .484 (12.3)

Pushbutton Switches

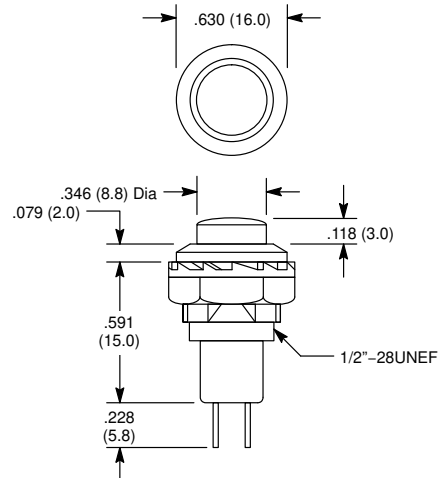
Panel Mount, Round



NTE Type No.	Circuitry	Action		Actuator		Diag No.
				Material	Color	
54-700-R	SPST	OFF	(ON)	Plastic	Red	S124
54-700-B	SPST	OFF	(ON)	Plastic	Black	S124

SPECIAL NOTE: () = Momentary Function

S124



Specifications

Current Rating: 3A 125VAC; 1.5A 250VAC
 Insulation Resistance: 100 Megohms (min.) at 500VDC
 Dielectric Strength: 1000V RMS (min.), 1 minute
 Temperature Rating: -13° to +185°F (-25° to +85°C)
 Electrical Life: 6000 cycles
 Mechanical Life: 100,000 cycles
 Terminal Type: Solder Lug
 Mounting Hole: .500 (12.7)

Snap-In, Round

Features

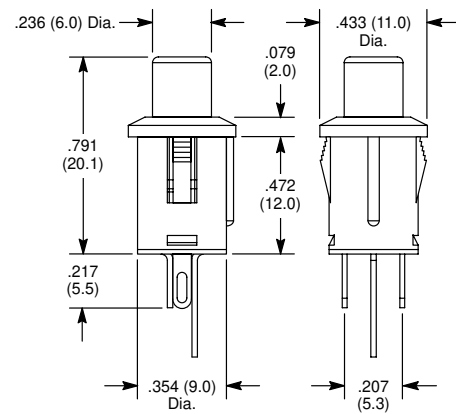
- Snap-In Mounting, Easy to Install into Panel



NTE Type No.	Circuitry	Action		Actuator		Diag No.
				Material	Color	
54-747-1	SPST	OFF	(ON)	PC	Red	S127

SPECIAL NOTE: () = Momentary Function

S127



Specifications

Current Rating: 1A 125VAC; 0.5A 250VAC
 Insulation Resistance: 100 Megohms (min.) at 500VDC
 Dielectric Strength: 1000VAC, 1 minute
 Temperature Rating: -4° to +185°F (-20° to +85°C)
 Electrical Life: 6000 cycles
 Mechanical Life: 100,000 cycles
 Terminal Type: Solder Lug
 Mounting Hole: .366 (9.3)

Pushbutton Switches

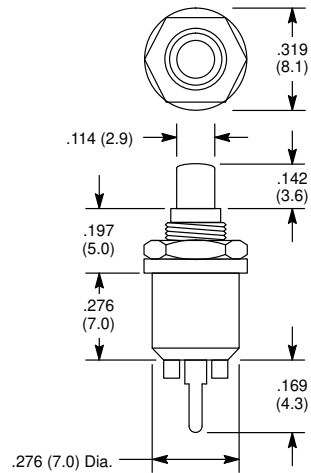
Round Hole, Metal Frame



NTE Type No.	Circuitry	Action		Actuator		Diag No.
				Material	Color	
54-735-R	SPST	OFF	(ON)	Polyoxymethylene	Red	S130
54-735-B	SPST	OFF	(ON)	Polyoxymethylene	Black	S130

SPECIAL NOTE: () = Momentary Function

S130



Specifications

Current Rating: 0.5A 125VAC
 Insulation Resistance: 100 Megohms (min.) at 500VDC
 Dielectric Strength: 1500VAC, 1 minute
 Temperature Rating: -4° to +149°F (-20° to +65°C)
 Electrical Life: 6000 cycles
 Mechanical Life: 10000 cycles
 Terminal Type: PC Mount
 Mounting Hole: .205 (5.2)

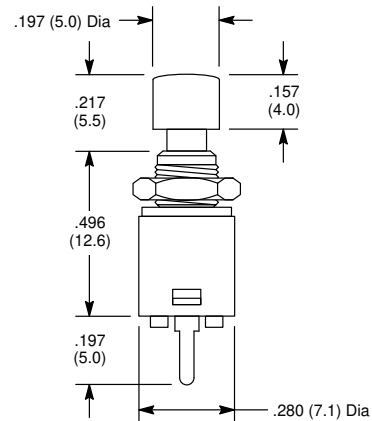
Panel Mount, Screw Type



NTE Type No.	Circuitry	Action		Actuator		Diag No.
				Material	Color	
54-744	SPST	OFF	(ON)	ABS	Red	S131

SPECIAL NOTE: () = Momentary Function

S131



Specifications

Current Rating: 1A 125VAC; 1A 250VAC
 Insulation Resistance: 100 Megohms (min.) at 500VDC
 Dielectric Strength: 1000VAC, 1 minute
 Temperature Rating: -4° to +149°F (-20° to +65°C)
 Electrical Life: 6000 cycles
 Mechanical Life: 10000 cycles
 Terminal Type: PC Mount
 Mounting Hole: .205 (5.2)

Pushbutton Switches

Nylon Snap-In



Features

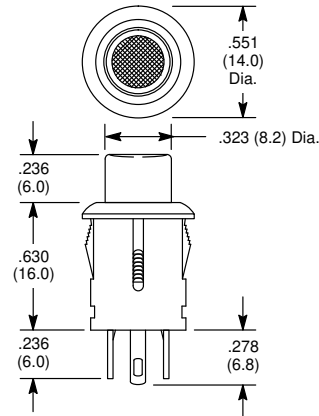
- Snap-In Mounting, Easy to Install into Panel



NTE Type No.	Circuitry	Action		Actuator		Diag No.
				Material	Color	
54-746	SPST	OFF	(ON)	PC	Red	S125

SPECIAL NOTE: () = Momentary Function

S125



Specifications

Current Rating: 3A 125VAC; 1.5A 250VAC
 Insulation Resistance: 100 Megohms (min.) at 500VDC
 Dielectric Strength: 1500VAC RMS (min.), 1 minute
 Temperature Rating: +32° to +149°F (+0° to +65°C)
 Electrical Life: 6000 cycles
 Mechanical Life: 10000 cycles
 Terminal Type: Solder Lug
 Mounting Hole: .476 (12.1)

Heavy Duty, Screw Terminals



Features

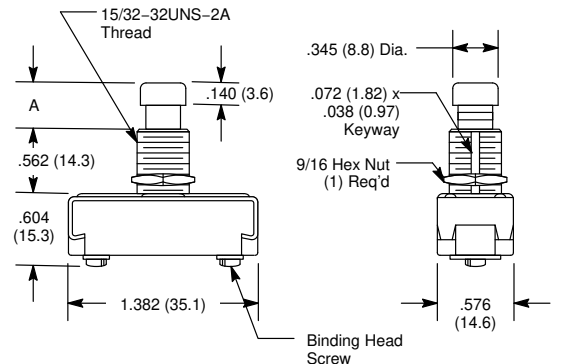
- Momentary Action
- Slow Make, Slow Break Contacts



NTE Type No.	Circuitry	Action		Actuator	Diag No.
54-651	SPST	OFF	(ON)	Brass/Nickel Plate	S120

SPECIAL NOTE: () = Momentary Function

S120



Device Type	A
ON (OFF)	.240 (6.1)
OFF (ON)	.320 (8.1)

Specifications

Current Rating: 10A 250VAC, 15A 125VAC
 Insulation Resistance: 100 Megohms (min.)
 Dielectric Strength: 1000V RMS (min.)
 Temperature Rating: +32° to +185°F (+0° to +85°C)
 Electrical Life: 25,000 cycles
 Mechanical Life: 100,000 cycles
 Terminal Type: Screw Terminals
 Mounting Hole: .500 (12.7)

Pushbutton Switches

Starter Button, Heavy Duty

Features

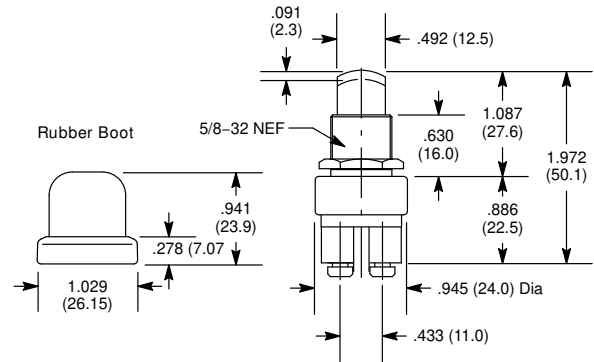
- Heavy Duty Die Cast Construction
- Rubber Dust and Moisture Resistant Boot Nut Included
- Starter Button Applications



NTE Type No.	Circuitry	Action		Actuator		Diag No.
				Material	Color	
54-576	SPST	OFF	(ON)	Nylon 66	Black	S87

SPECIAL NOTE: () = Momentary Function

S87



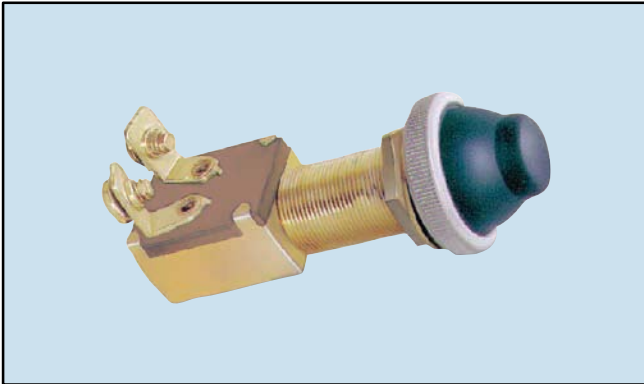
Specifications

Current Rating: 25A 6VDC, 50A 12VDC
 Insulation Resistance: 100 Megohms (min.) at 500VDC
 Dielectric Strength: 1500V RMS (min.)
 Temperature Rating: +0° to +150°F (-18° to +65°C)
 Electrical Life: 25,000 cycles
 Mechanical Life: 100,000 cycles
 Terminal Type: Screw Terminals
 Mounting Hole: .630 (16.0)

Starter & Horn Button, Single Pole

Features

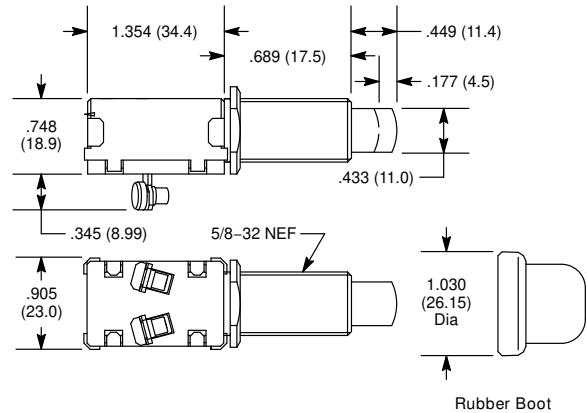
- Moisture Proof and Dust Proof Rubber Cap
- Starter and Horn Switch Applications



NTE Type No.	Circuitry	Action		Actuator		Diag No.
				Material	Color	
54-577	SPST	OFF	(ON)	Nickel Plated Copper	Black	S91

SPECIAL NOTE: () = Momentary Function

S91



Specifications

Current Rating: 25A 6VDC, 15A 12VDC
 Insulation Resistance: 100 Megohms (min.) at 500VDC
 Dielectric Strength: 1500V RMS (min.)
 Temperature Rating: +0° to +150°F (-18° to +65°C)
 Electrical Life: 25,000 cycles
 Mechanical Life: 1000,000 cycles
 Terminal Type: Screw Terminals
 Mounting Hole: .630 (16.0)

Pushbutton Switches

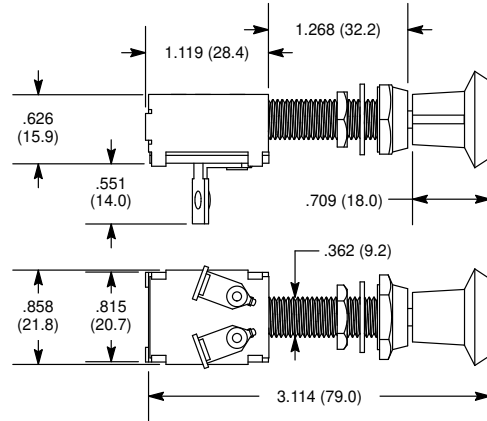
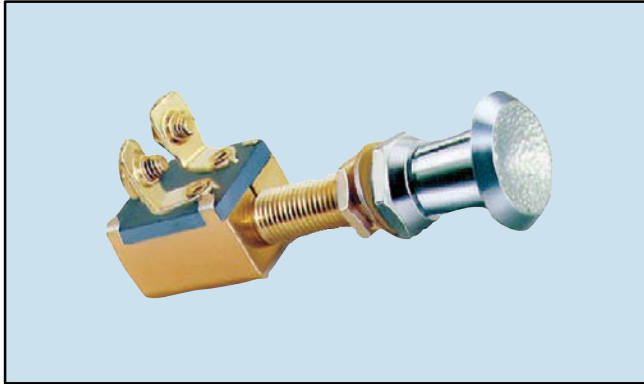
Push-Pull, Single Pole



S96

Features

- Heavy Duty, 2-Position Push-Pull Switch
- Mounting Stem: 1 1/4" Long, 3/8" Diameter



Specifications

Current Rating: 25A 6VDC, 15A 12VDC
 Insulation Resistance: 100 Megohms (min.) at 500VDC
 Dielectric Strength: 1500V RMS (min.)
 Temperature Rating: +0° to +150°F (-18° to +65°C)
 Electrical Life: 30,000 cycles
 Mechanical Life: 30,000 cycles
 Terminal Type: Screw Terminals
 Mounting Hole: .375 (9.52)

NTE Type No.	Circuitry	Action		Actuator		Diag No.
				Material	Color	
54-578	SPST	OFF	ON	Brass	Chrome	S96

Pushbutton Switches

Canopy Switch



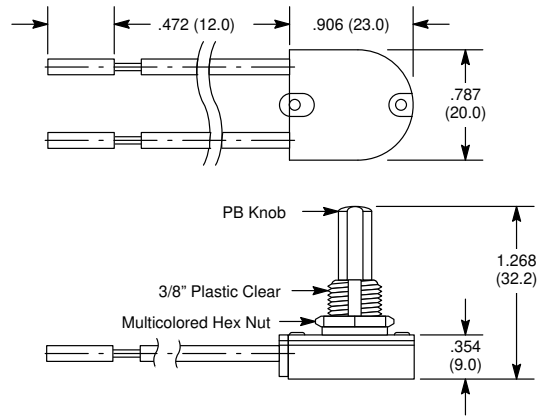
Features

- Single Circuit Canopy Switch
- Sequence – Load 1 On, Load 1 Off
- One-Piece Construction Eliminates the Need for a Hex Lock Nut



NTE Type No.	Circuitry	Action		Actuator	Diag No.
		ON	OFF		
54-660	SPST	ON	OFF	3/8" Brass Plate	S121

S121



Specifications

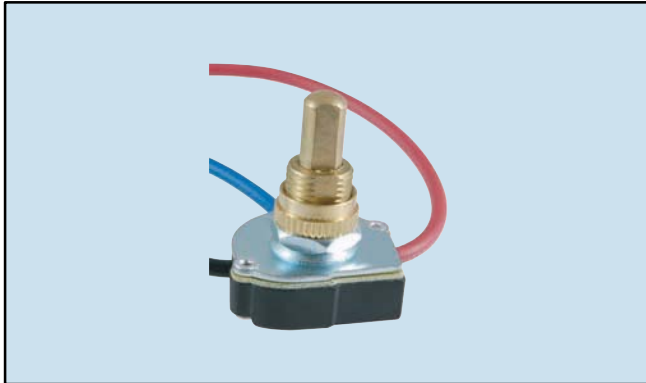
Current Rating: 3A 250VAC, 6A 125VAC, 6A 125VL
 Insulation Resistance: 100 Megohms (min.)
 Dielectric Strength: 1500V RMS (min.)
 Temperature Rating: +32° to +185°F (+0° to +85°C)
 Electrical Life: 6,000 cycles (min.)
 Mechanical Life: 6,000 cycles (min.)
 Terminal Type: 18 AWG, 6" length
 Mounting Hole: .393 (10.0)

Canopy Switch



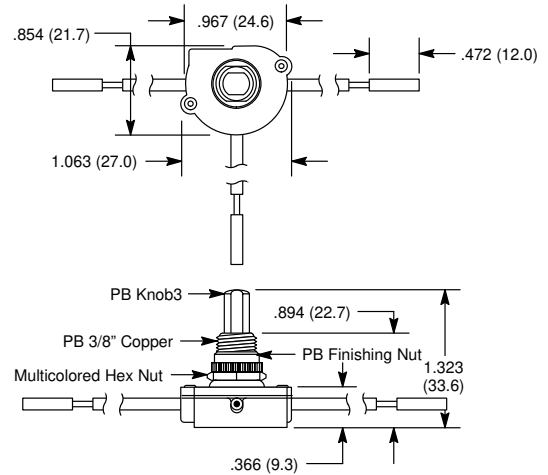
Features

- 2 Circuit, 4 Position Canopy Switch
- Sequence – Load 1 On, Load 2 On, Load 1 & 2 On, All Off



NTE Type No.	Sequence				Actuator	Diag No.
	Load 1	Load 2	Load 1 & 2	All		
54-662	ON	ON	ON	OFF	3/8" Brass Plate	S122

S122



Specifications

Current Rating: 1A 125VT, 3A 250VAC, 6A 125VAC, 6A 125VL
 Insulation Resistance: 100 Megohms (min.)
 Dielectric Strength: 1500V RMS (min.)
 Temperature Rating: +32° to +185°F (+0° to +85°C)
 Electrical Life: 6,000 cycles (min.)
 Mechanical Life: 6,000 cycles (min.)
 Terminal Type: 18 AWG, 6" length
 Mounting Hole: .393 (10.0)