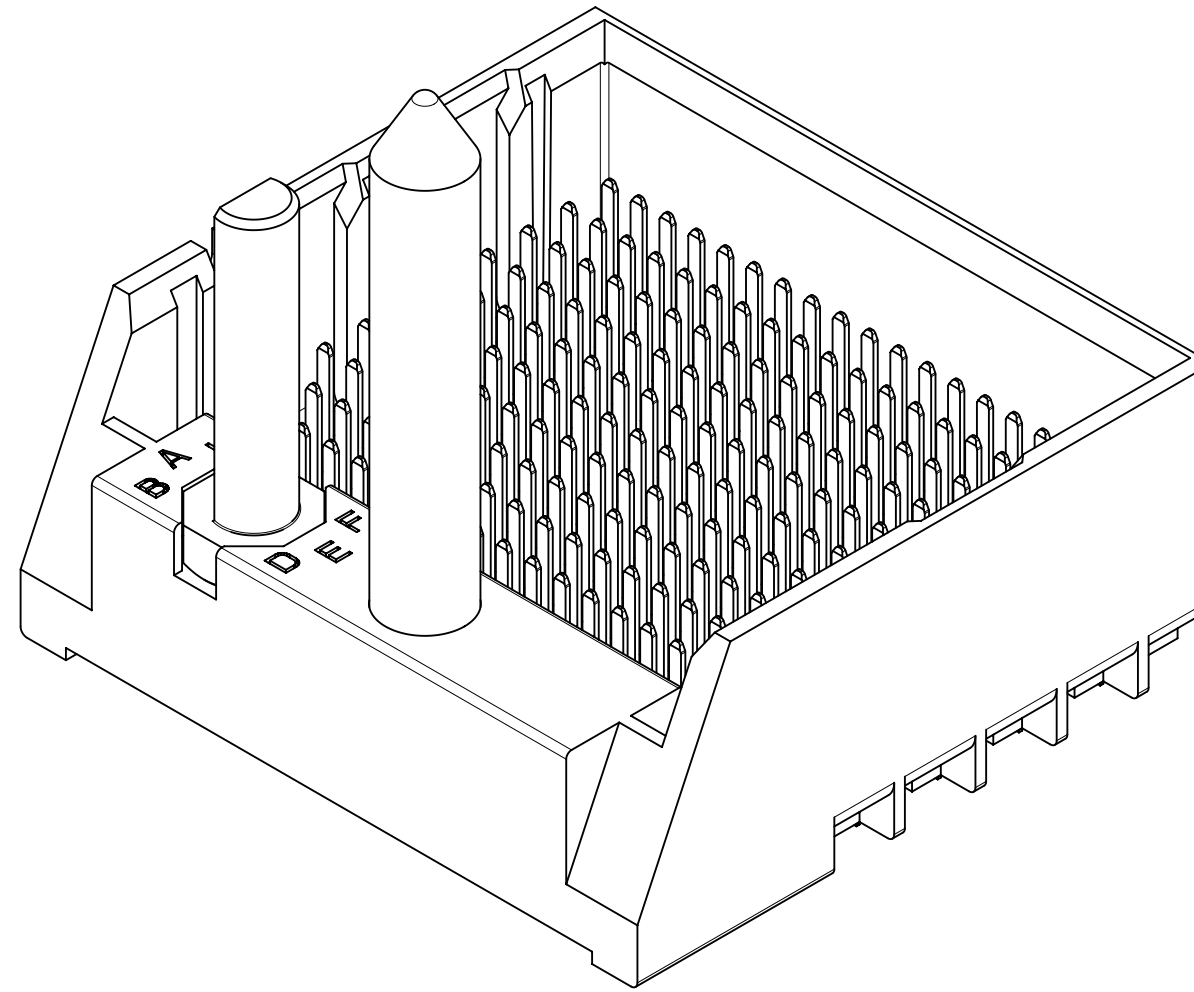


- NOTES:
1. MATERIALS: HOUSING - LIQUID CRYSTAL POLYMER (LCP)  
GLASS-FILLED, UL94V-0  
TERMINALS - HIGH PERFORMANCE COPPER ALLOY
  2. FINISH: 10 μINCH MIN GOLD IN CONTACT AREA.  
SELECTIVE MATTE TIN ON PCB TAILS, NICKEL OVERALL.
  3. REFER TO MOLEX PRODUCT SPECIFICATION PS-76060-999  
FOR PERFORMANCE SPECIFICATIONS AND ADDITIONAL PCB INFORMATION.
  4. THIS PART CONFORMS TO CLASS B REQUIREMENTS OF  
MOLEX COSMETIC SPEC PS-45499-002.
  5. PARTS PACKAGED PER PK-70873-760
  6. SEE SHEETS 2 & 3 FOR PART NUMBERS AND BOARD RELATIONSHIPS.
  7. FOR GROUNDED GUIDE PINS USE DIA. 3.56 +/-0.08 (PTH)  
DIA. 3.66 (DRILL) AND DIA 6.5 (PAD).
  8. MATES WITH IMPACT DC SERIES NO. 76150.
  9. KEEP OUT ZONE FOR BP HOUSING LENGTH INCLUDES AN ADDITIONAL 1.0MM  
TO ACCOMMODATE FOR SPACE REQUIRED BY DC FRONT HOUSING.
  10. REFER TO MOLEX PCB ROUTING GUIDE AS-76060-990 FOR ANTIPAD AND ROUTING RECOMMENDATIONS.
  11. CONNECTORS SUPPLIED WITH A 2-56 UNC-2A SCREW.
  12. "THESE DIMENSIONS REPRESENT THE AREA NEEDED TO ACCOMMODATE CONNECTOR INSERTION AND  
REPAIR ON THE PC BOARD. THIS IS REFERRED TO AS THE "CONNECTOR KEEP OUT ZONE" AND  
DOES NOT REPRESENT THE ACTUAL PERIMETER OF THE CONNECTOR. WHEN LAYING OUT A PC BOARD  
FOR CONNECTORS STACKED TOGETHER, USE A 1.9mm PROGRESSION."

THIS DRAWING CONTAINS INFORMATION THAT IS PROPRIETARY TO MOLEX ELECTRONIC TECHNOLOGIES, LLC AND SHOULD NOT BE USED WITHOUT WRITTEN PERMISSION											
MIGRATED TO NX EC NO: 167466 DRWN: NVELUSAMY CHKD: CD REV APPR: GGA	2017/10/30	GENERAL TOLERANCES (UNLESS SPECIFIED)		DIMENSION UNITS	SCALE						
	2017/10/31	ANGULAR TOL ± 0.5 °		MM	4:1						
	2017/11/02	4 PLACES ±	DRWN BY	DATE	<b>IMPACT 6 PAIR BACKPLANE LEFT GUIDED ASSEMBLY SALES DRAWING</b>						
		3 PLACES ±	JBINGHAM	2011/11/23							
		2 PLACES ± 0.13	CHKD BY	DATE	<b>PRODUCT CUSTOMER DRAWING</b>						
		1 PLACE ± 0.25	JLAURX	2011/11/23							
		0 PLACES ±	APPR BY	DATE	SERIES: 171298    MATERIAL NUMBER: SEE CHART    CUSTOMER: GENERAL MARKET						
		DRAFT WHERE APPLICABLE MUST REMAIN WITHIN DIMENSIONS	JLAURX	2011/12/02							
			DRAWING SIZE	THIRD ANGLE PROJECTION	DOCUMENT NUMBER: SD-171298-0002    DOC TYPE: PSD    DOC PART: 001    SHEET NUMBER: 1 OF 3						
			D								

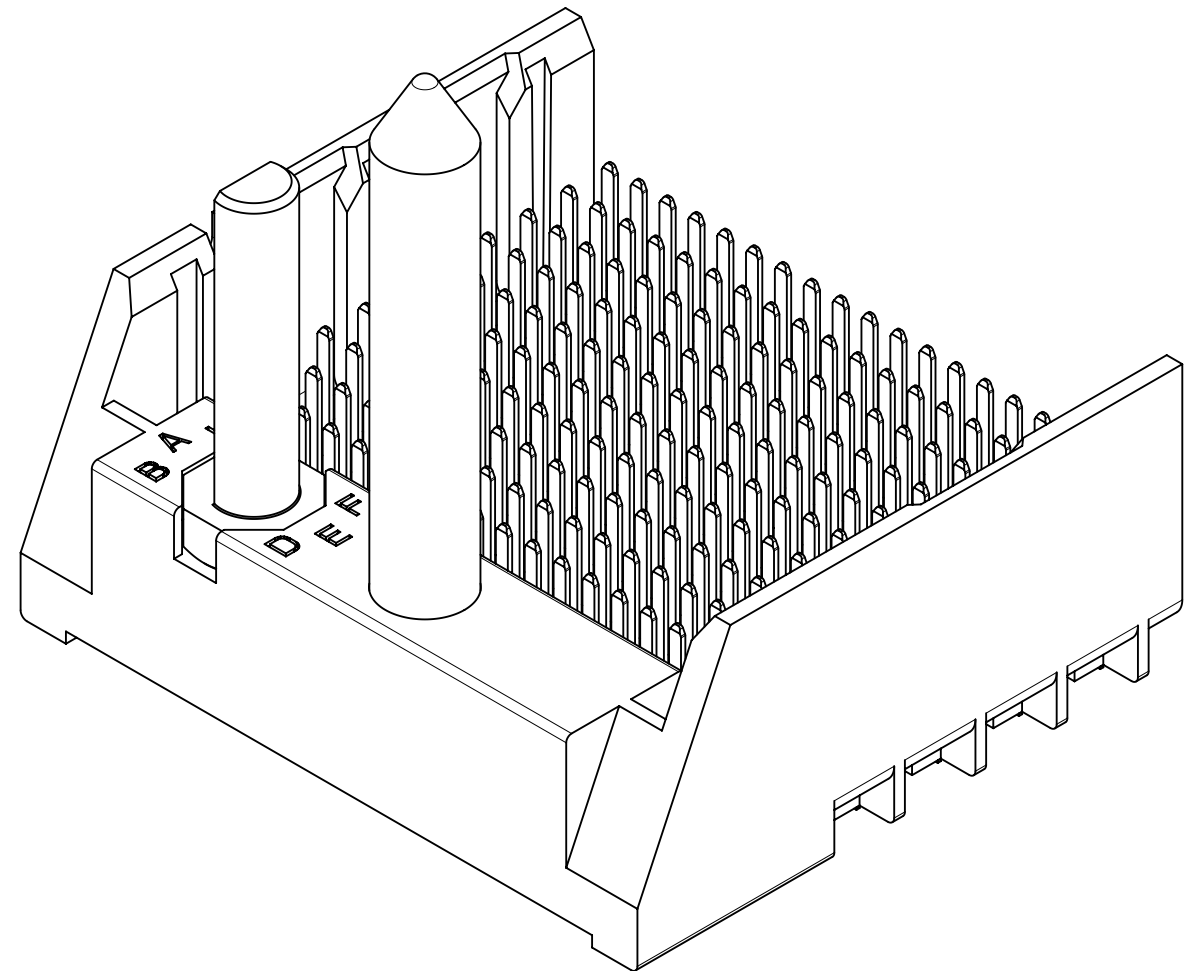
**PART NUMBER TABLE**

MATERIAL NUMBER	# OF COLUMNS	# OF DIFF PAIR	DIM 'A'	DIM 'B'	GUIDE LEFT END WALL OPTION
171298-71**	10	60	26.9	17.10	
171298-77**	14	84	34.5	24.70	
171298-76**	16	96	38.3	28.50	



**GUIDE LEFT  
END WALL OPTION**

MATERIAL NUMBER	# OF COLUMNS	# OF DIFF PAIR	DIM 'A'	DIM 'B'	GUIDE LEFT OPEN WALL OPTION
171298-31**	10	60	25.5	17.10	
171298-37**	14	84	33.1	24.70	
171298-36**	16	96	36.9	28.50	



**GUIDE LEFT  
OPEN WALL OPTION**

**PART NUMBER LOGIC**

**171298 - \*\*\*\***

MODULE TYPE

- 3 = GUIDE LEFT, MATTE TIN
- 7 = GUIDE LEFT END WALL, MATTE TIN

# OF COLUMNS

- 1 = 10 COL
- 6 = 16 COL
- 7 = 14 COL

PIN LENGTH (P)

- 3 = 4.50 (SHORT COMPLIANT, 0.46±0.05 PTH)
- 4 = 4.90 (SHORT COMPLIANT, 0.46±0.05 PTH)
- 5 = 5.50 (SHORT COMPLIANT, 0.46±0.05 PTH)
- 6 = 4.50 (MICRO COMPLIANT, 0.39±0.05 PTH)
- 7 = 4.90 (MICRO COMPLIANT, 0.39±0.05 PTH)
- 8 = 5.50 (MICRO COMPLIANT, 0.39±0.05 PTH)

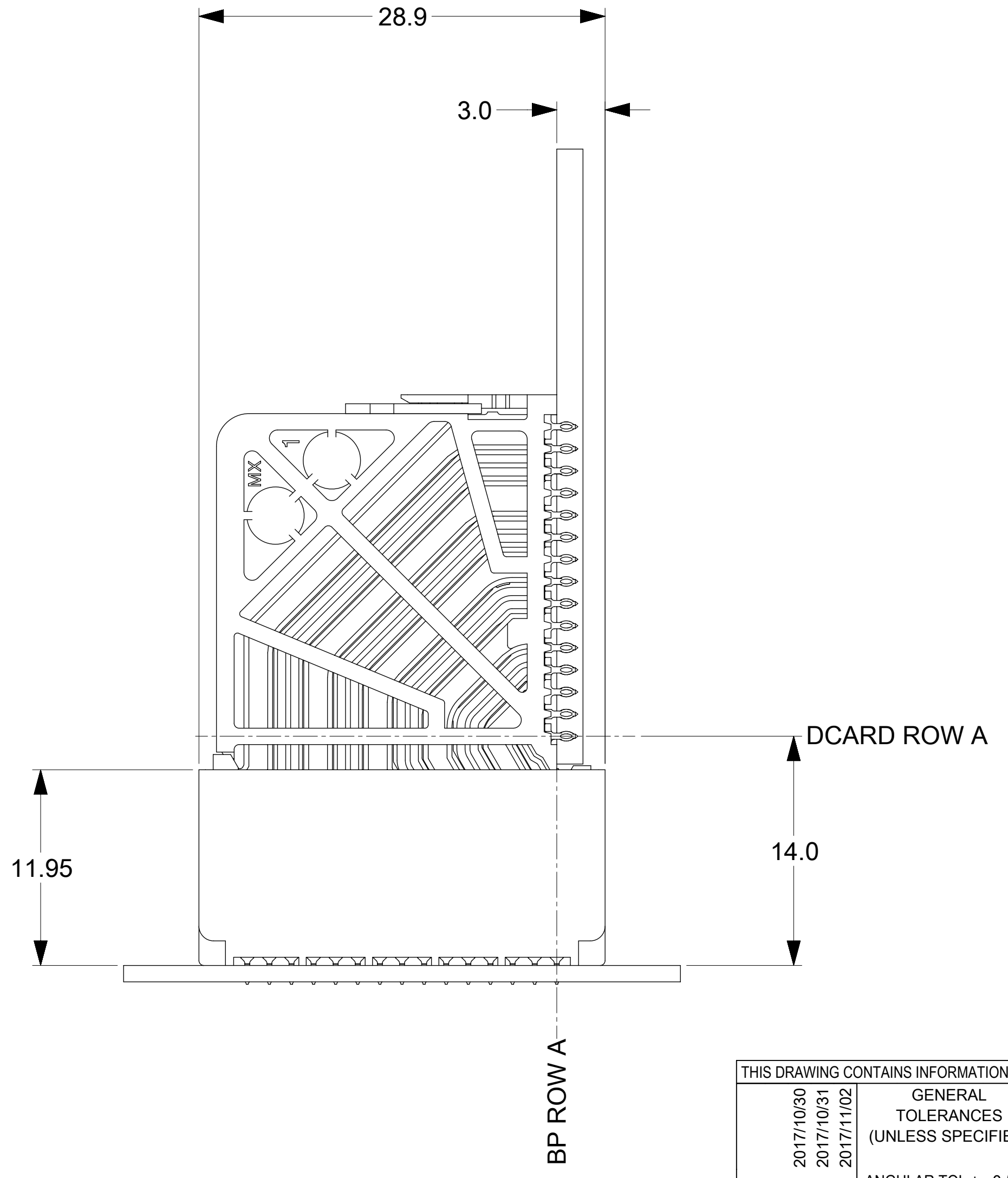
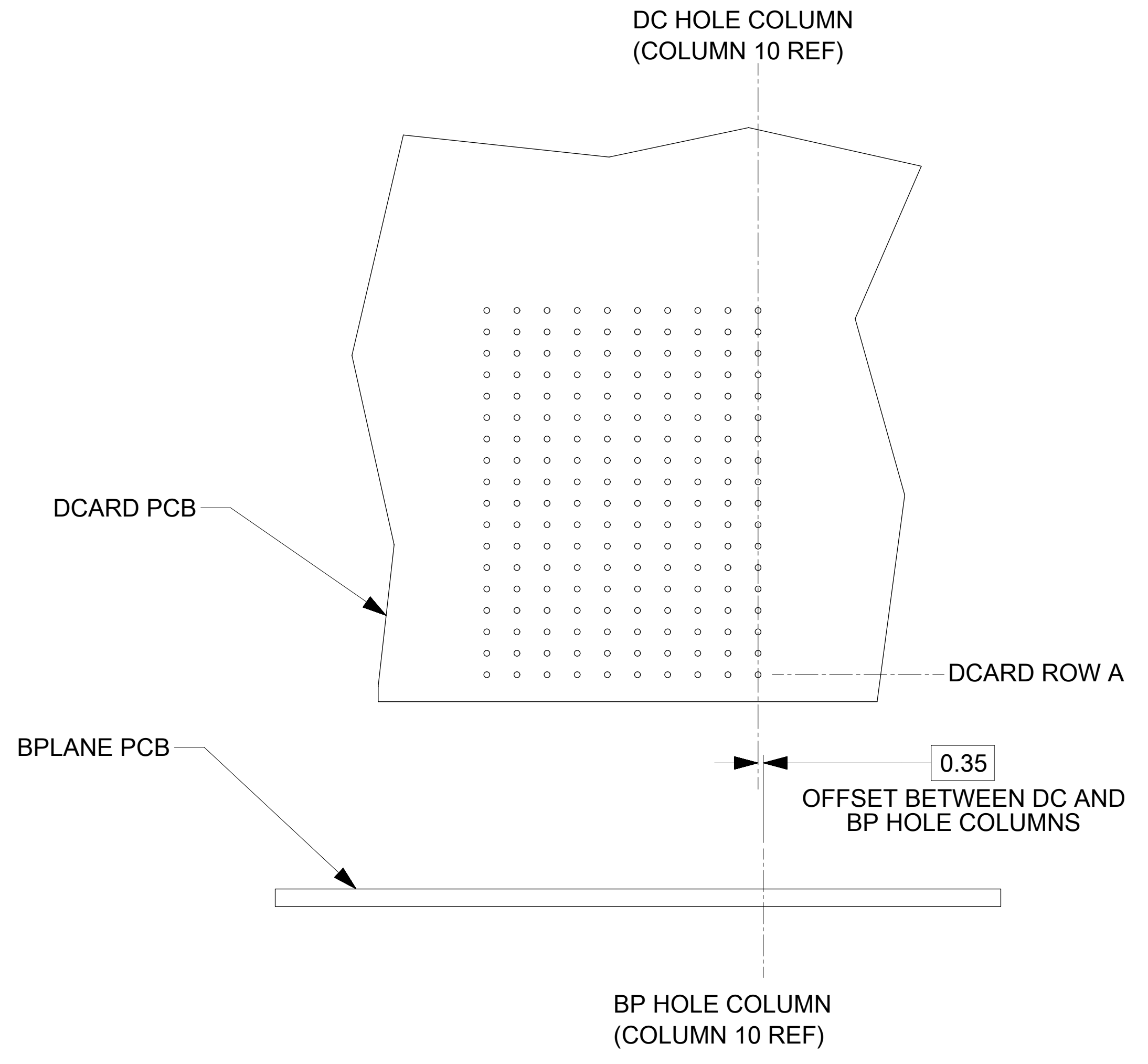
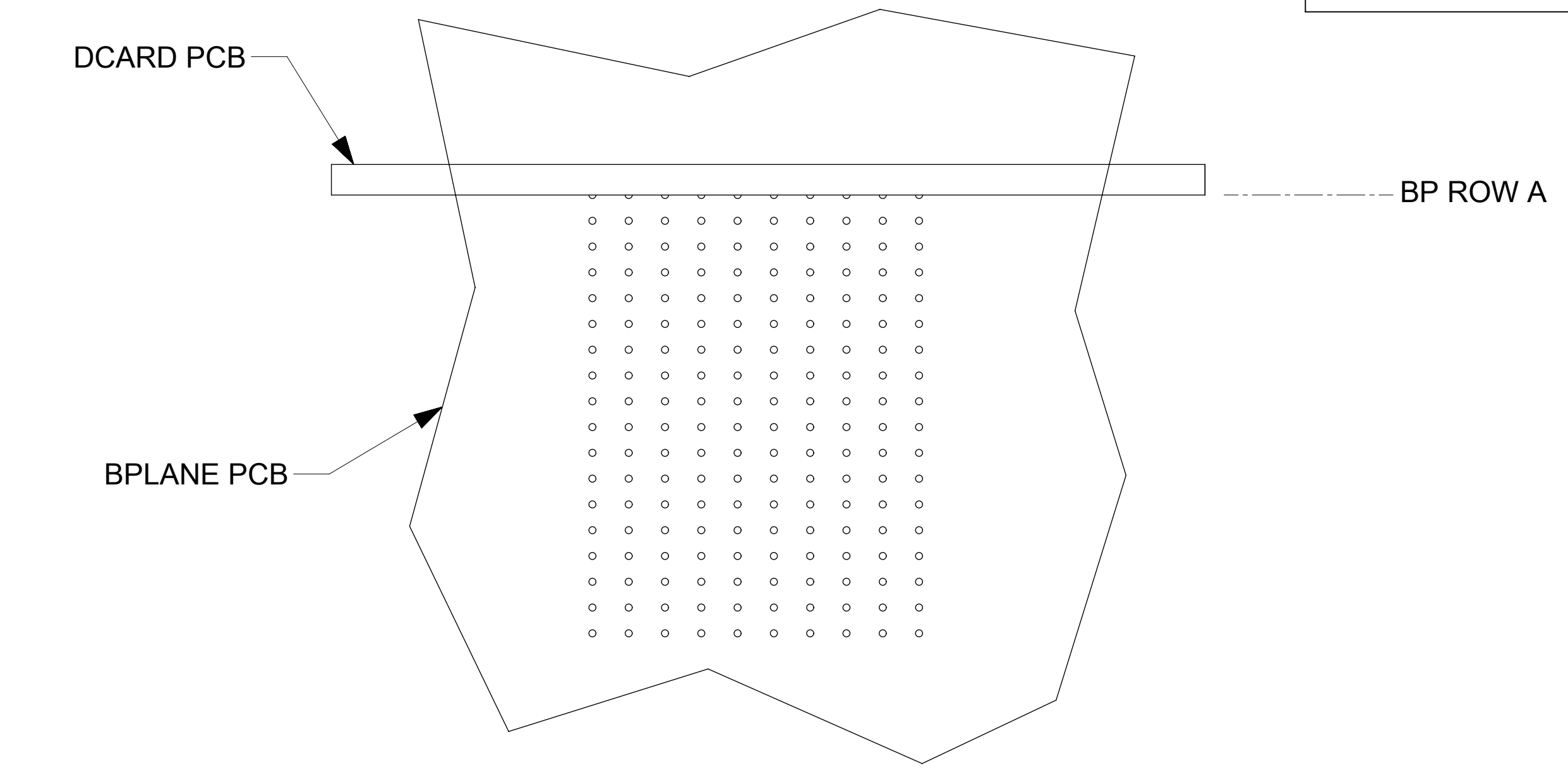
KEY ORIENTATION

- 0 = NO KEY
- 1 = A
- 2 = B
- 3 = C
- 4 = D
- 5 = E
- 6 = F
- 7 = G
- 8 = H

THIS DRAWING CONTAINS INFORMATION THAT IS PROPRIETARY TO MOLEX ELECTRONIC TECHNOLOGIES, LLC AND SHOULD NOT BE USED WITHOUT WRITTEN PERMISSION

MIGRATED TO NX	2017/10/30	GENERAL TOLERANCES (UNLESS SPECIFIED)	DIMENSION UNITS	SCALE	<b>molex</b>  IMPACT 6 PAIR BACKPLANE LEFT GUIDED ASSEMBLY SALES DRAWING  PRODUCT CUSTOMER DRAWING
	2017/10/31	ANGULAR TOL ± 0.5 °	MM	4:1	
	2017/11/02	4 PLACES ±	DRWN BY	DATE	
		3 PLACES ±	JBINGHAM	2011/11/23	
		2 PLACES ± 0.13	CHKD BY	DATE	
		1 PLACE ± 0.25	JLAURX	2011/11/23	
	0 PLACES ±	APPR BY	DATE		
		JLAURX	2011/12/02		
EC NO: 167466	DRWN: NVELUSAMY	CHKD: CD	REV: APPR: GGA	DRAWING SIZE	THIRD ANGLE PROJECTION
A2				D	
RELEASE STATUS	P1	RELEASE DATE	02.11.2017	08:14:46	
SERIES		MATERIAL NUMBER		CUSTOMER	
171298		SEE CHART		GENERAL MARKET	
DOCUMENT NUMBER			DOC TYPE	DOC PART	SHEET NUMBER
SD-171298-0002			PSD	001	2 OF 3

IMPACT 6 PAIR  
BOARD RELATIONSHIPS



THIS DRAWING CONTAINS INFORMATION THAT IS PROPRIETARY TO MOLEX ELECTRONIC TECHNOLOGIES, LLC AND SHOULD NOT BE USED WITHOUT WRITTEN PERMISSION

MIGRATED TO NX EC NO: 167466 DRWN: NVELUSAMY CHKD: CD REV/ APPR: GGA	2017/10/30	GENERAL TOLERANCES (UNLESS SPECIFIED)	DIMENSION UNITS	SCALE	<b>molex</b> IMPACT 6 PAIR BACKPLANE LEFT GUIDED ASSEMBLY SALES DRAWING		
	2017/10/31	ANGULAR TOL ± 0.5 °	MM	4:1			
	2017/11/02	4 PLACES ±	DRWN BY	DATE	PRODUCT CUSTOMER DRAWING		
		3 PLACES ±	JBINGHAM	2011/11/23			
		2 PLACES ± 0.13	CHKD BY	DATE	SERIES MATERIAL NUMBER CUSTOMER		
		1 PLACE ± 0.25	JLAURX	2011/11/23			
	0 PLACES ±	APPR BY	DATE	DOCUMENT NUMBER DOC TYPE DOC PART SHEET NUMBER			
	DRAFT WHERE APPLICABLE MUST REMAIN WITHIN DIMENSIONS	JLAURX	2011/12/02				
A2		DRAWING SIZE	THIRD ANGLE PROJECTION	171298	SEE CHART	GENERAL MARKET	
		D		SD-171298-0002	PSD	001	3 OF 3