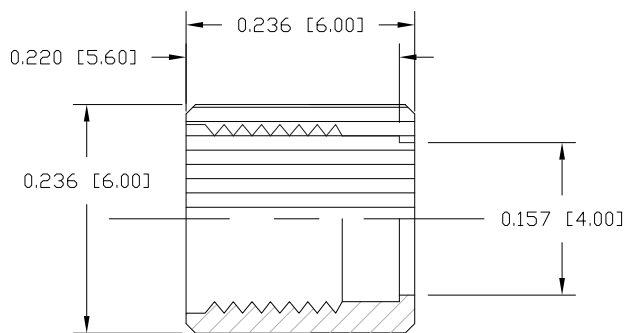
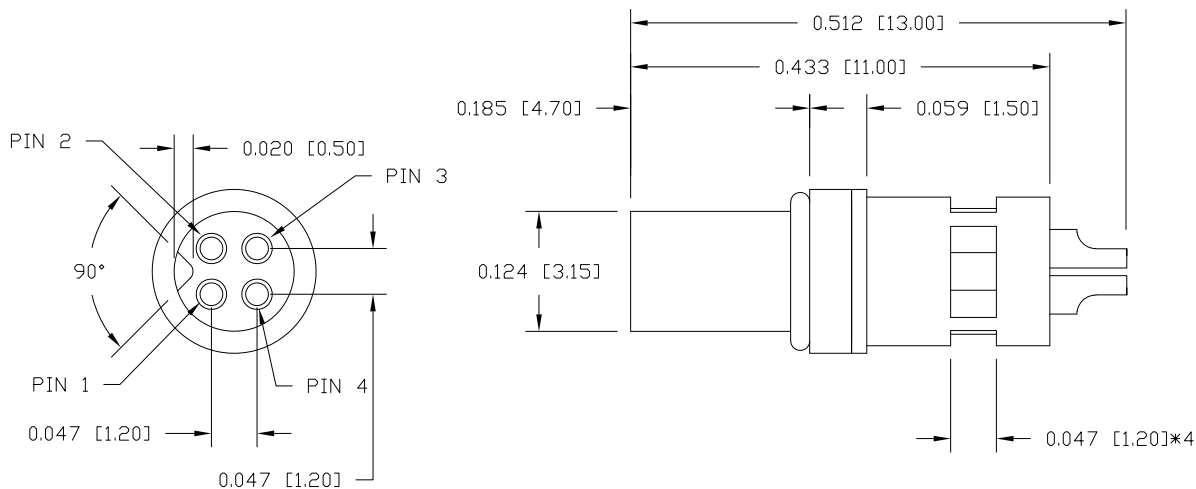


DESCRIPTION: M5 FEMALE - CABLE MOUNT - SOLDER CUP - 4 POSITION - SHIELDED



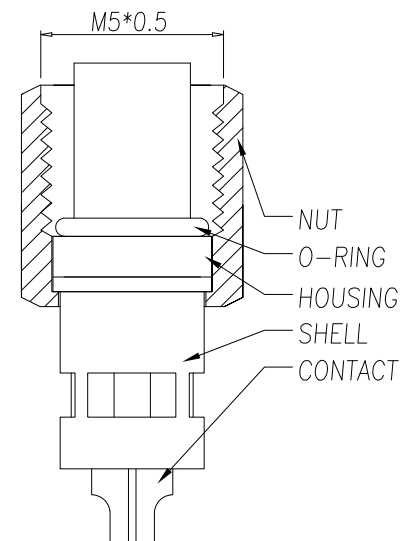
NUT

NOTE:

MATERIAL	
HOUSING:	TPU, BLACK
SHELL:	BRASS
CONTACT:	BRASS
NUT:	BRASS
O-RING:	NBR, BLACK
FINISH	
SHELL:	TIN PLATED
CONTACT:	GOLD PLATED OVER 50µ NICKEL NICKEL PLATED
NUT:	
ELECTRICAL	
RATED CURRENT:	1A
RATED VOLTAGE:	60V
INSULATION RESISTANCE:	100 MΩ MIN.
CONTACT RESISTANCE:	10 mΩ MAX.
WATER PROOF:	IP67
ENVIRONMENT	
OPERATION TEMPERATURE:	-40°C TO +85°C
WIRE GAUGE:	28 AWG MAX RECOMMENDED

850-004-203RSSY

1 = GOLD FLASH  
4 = 10µ" GOLD



RoHS COMPLIANT

UNITS = inch [mm]

DO NOT SCALE FROM DRAWING



THESE DRAWINGS AND SPECIFICATIONS ARE THE PROPERTY OF NorComp AND SHALL NOT BE REPRODUCED, COPIED OR USED AS THE BASIS FOR THE MANUFACTURE OR SALE OF APPARATUS WITHOUT WRITTEN PERMISSION.

DRAWN:  
M. SIGMON

DATE:  
03-04-16

NorComp

SCALE:  
NTS

SHEET OF  
1 1

REV  
7

DWG NO.

850-004-203RSSY