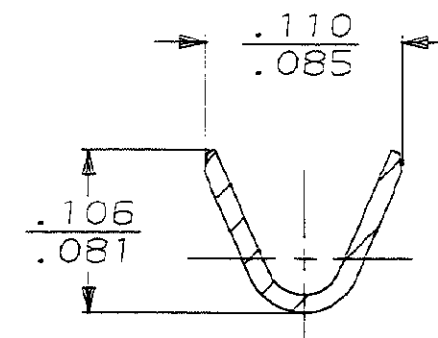
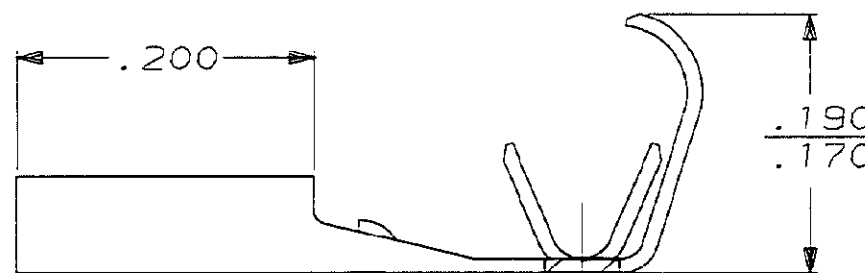
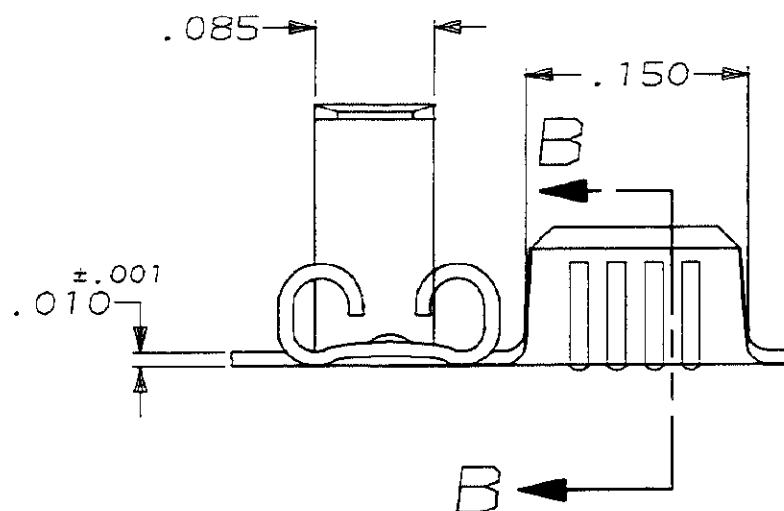
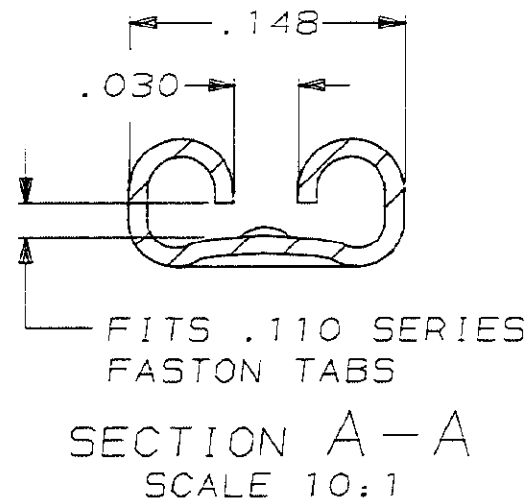
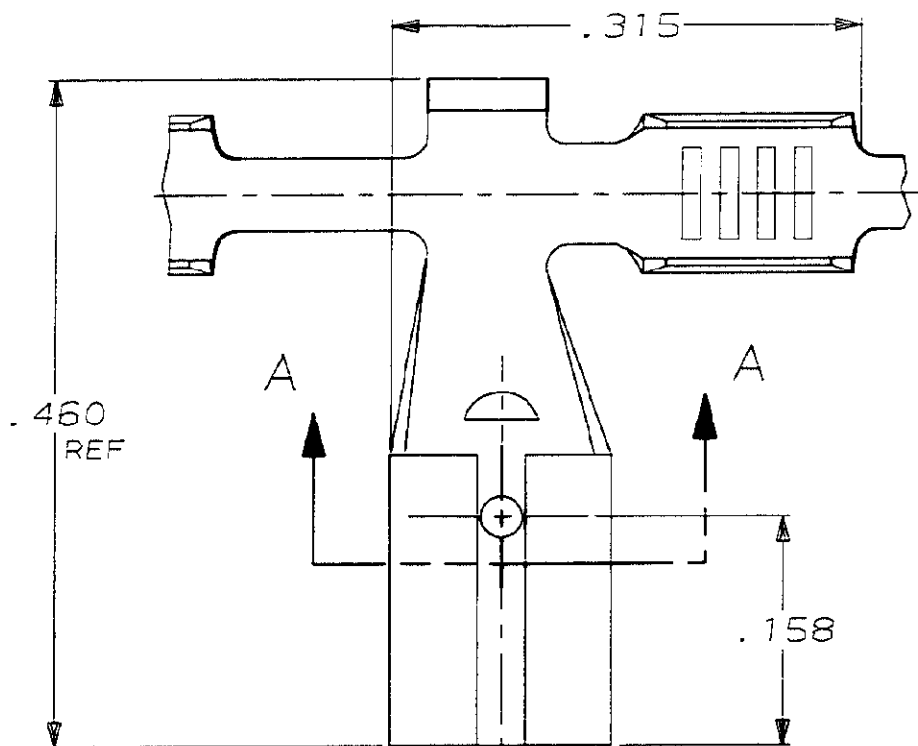


LOC	DIST	P	F	ZONE	LTR	REVISIONS	DATE	APPD
AF	50				E	REVISED AF-7794	1/28/92	JR

- 1 CONTINUOUS STRIP ON REELS
- 2 FEED TO BE .430±.005



.065-.100 DIA	22-18 AWG	.025	61530-1
INSULATION RANGE	WIRE SIZE	MATING TAB THK ±.001	PART NO
DO NOT SCALE PRINT. UNLESS SPECIFIED. DIMENSIONS ARE IN INCHES. TOLERANCES ON: 2 PLC DEC = - 3 PLC DEC = .015 ANGLES = -	DR 4/24/91 JR RUTH CHK 4/24/91 MS FEHER APPD 4/24/91 C MEYERS APPD 4/24/91 D REINER PRODUCT SPEC -	AMP AMP Incorporated Harrisburg, PA 17105-3608	
MATERIAL #4H BRASS	APPLICATION SPEC -	NAME RECEPTACLE, FASTON, FLAG, .110 SERIES	
FINISH PRE-TIN	WEIGHT -	SIZE B	CAGE CODE 00779
		DRAWING NO 61530	SCALE 8:1
		SHEET 1 OF 1	