

# Customer Information Sheet

DRAWING No.: H9037-01

SHEET 2 OF 2

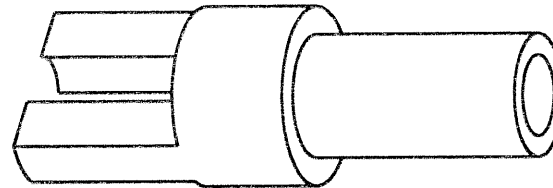
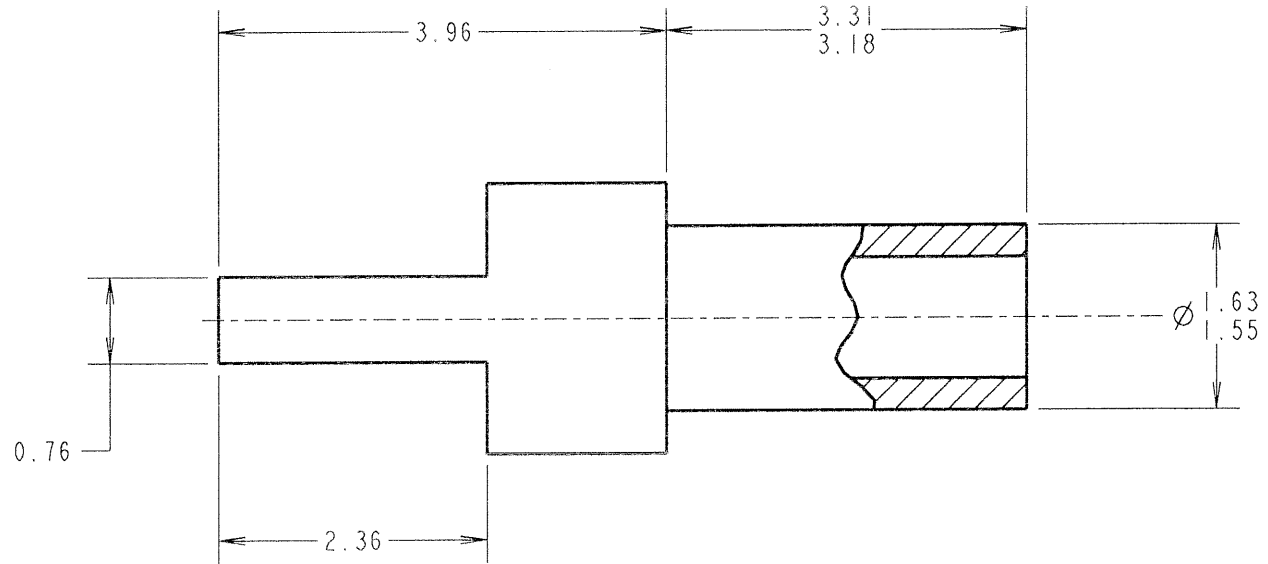
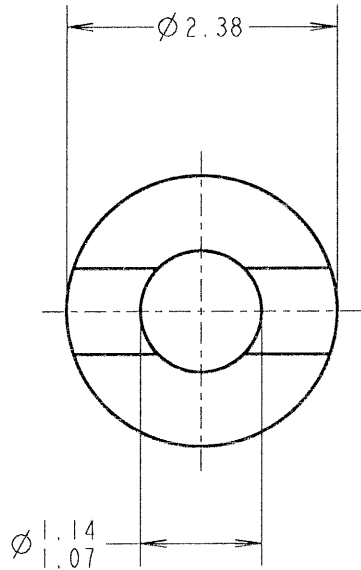
IF IN DOUBT - ASK

©

NOT TO SCALE

THIRD ANGLE PROJECTION

ALL DIMENSIONS IN mm



NOTES:  
1. UNLESS OTHERWISE STATED, TOLERANCES =  $\pm 0.13$

JMB	13	04.10.06	9493
NAME	ISS.	DATE	C/NOTE
APPROVED: <i>JMB</i>			
CHECKED: <i>ISK</i>			
DRAWN: JM BROOKES			
CUSTOMER REF.:			
ASSEMBLY DRG:			

**HARWIN**

HARWIN INC U.S.A. TEL: (812) 542 2540 FAX: (812) 542 2541	HARWIN PLC U.K. TEL: 023 9231 4545 FAX: 023 9231 4590	HARWIN PTE SINGAPORE TEL: 65 6779 4909 FAX: 65 6779 3868
--	--	---

THIS DRAWING AND ANY INFORMATION OR DESCRIPTIVE MATTER SET OUT HEREON ARE CONFIDENTIAL AND COPYRIGHT PROPERTY OF THE HARWIN GROUP AND MUST NOT BE DISCLOSED, LOANED, COPIED OR USED FOR MANUFACTURING, TENDERING OR FOR ANY OTHER PURPOSE WITHOUT THEIR WRITTEN PERMISSION.

~~TOLERANCES~~  
~~X =  $\pm 1$ mm~~  
~~X.X =  $\pm 0.25$ mm~~  
~~X.XX =  $\pm 0.10$ mm~~  
~~X.XXX =  $\pm 0.01$ mm~~  
 ANGLES =  $\pm 5^\circ$   
 UNLESS STATED

MATERIAL:  
ANNEALED BRASS  
CW614N M TO BS EN 12164  
FINISH: 100% TIN OVER NICKEL  
S/AREA: mm<sup>2</sup>

TITLE:  
TERMINAL LUG  
DRAWING NUMBER:  
H9037-01

SHT  
2 OF 2