

SAW Filter 2410.0MHz
Part No: MP07497

Model: TA1913A
Rev No: 1

A. MAXIMUM RATING:

Electrostatic Sensitive Device (ESD)

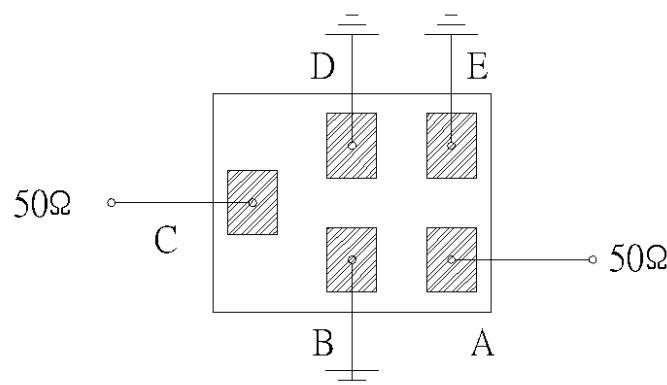
1. Input Power Level: 13dBm
2. DC Voltage: 5V
3. Operating Temperature: -30°C to +65°C
4. Storage Temperature: -40°C to +85°C

B. ELECTRICAL CHARACTERISTICS:

1. Terminating source impedance: $Z_S = 50\Omega$
2. Terminating load impedance: $Z_L = 50\Omega$

Item	Unit	Min.	Typ.	Max.
Center Frequency F_c	MHz	-	2410	-
Insertion Loss (2400 ~ 2420MHz) IL	dB	-	3.2	6.5
Amplitude ripple (2400 ~ 2420MHz)	dB	-	1.5	5.4
VSWR (2400 ~ 2420MHz)	-	-	1.5	2.2
Group delay ripple (2400 ~ 2420MHz)	ns	-	16	40
Attenuation (Reference level from 0dB)				
1940 ~ 1945MHz	dB	34	38	-
2065 ~ 2068MHz	dB	35	39	-
2350 ~ 2360MHz	dB	2	3	-
2440MHz	dB	15	37	-
2555 ~ 3600MHz	dB	35	40	-
Temperature coefficient of frequency	ppm/k	-	-36	-

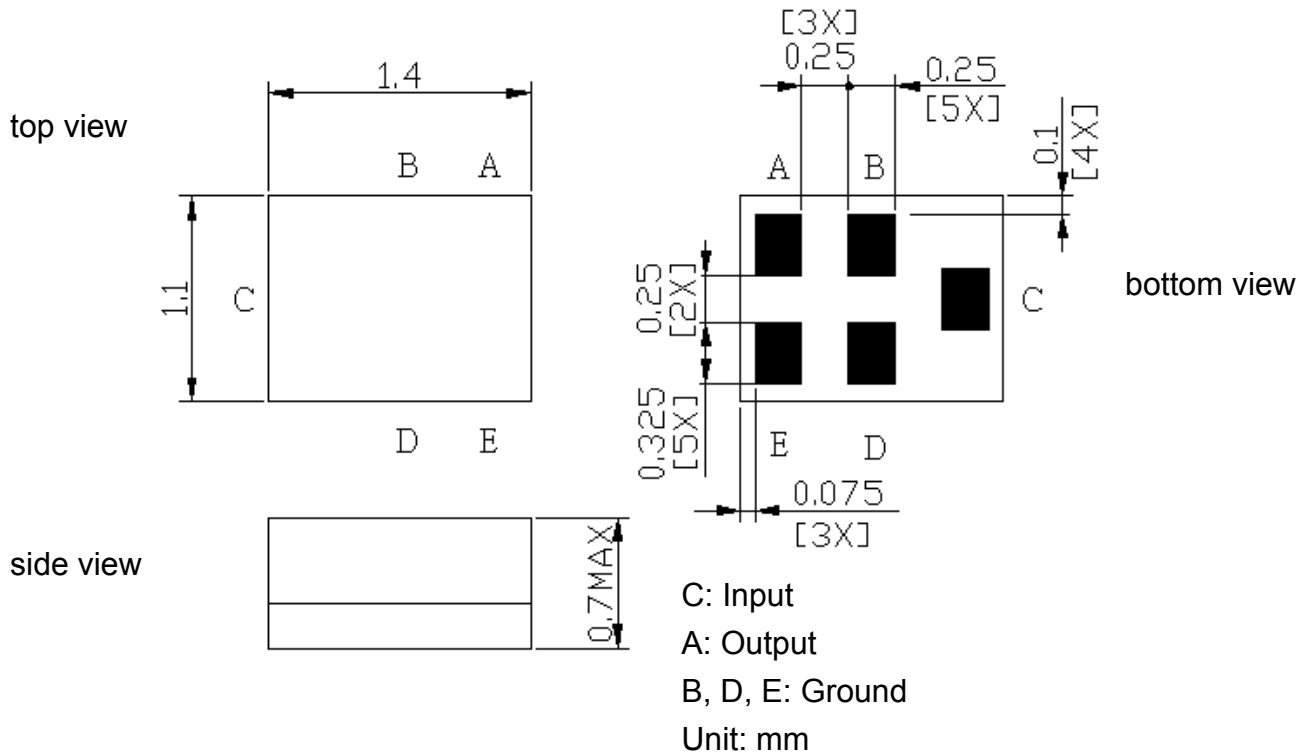
C. MEASUREMENT CIRCUIT:



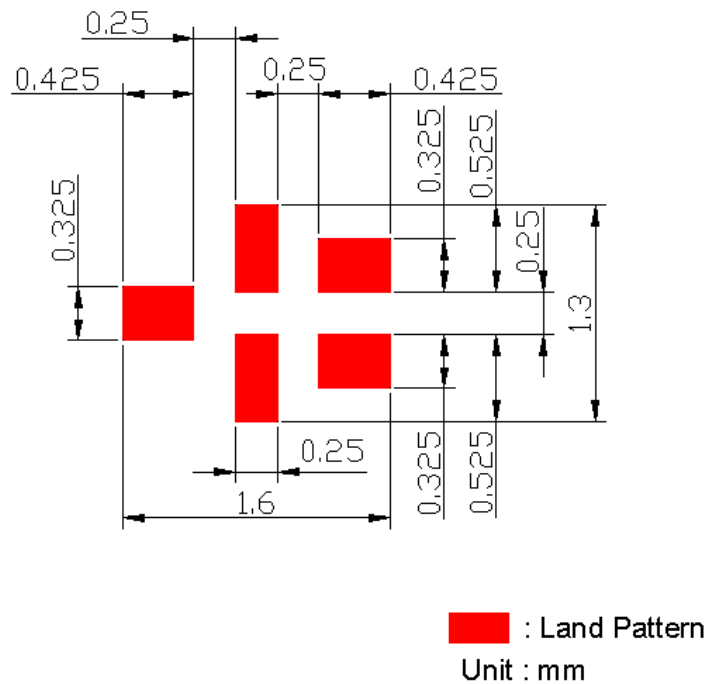
SAW Filter 2410.0MHz
Part No: MP07497

Model: TA1913A
Rev No: 1

D. OUTLINE DRAWING:



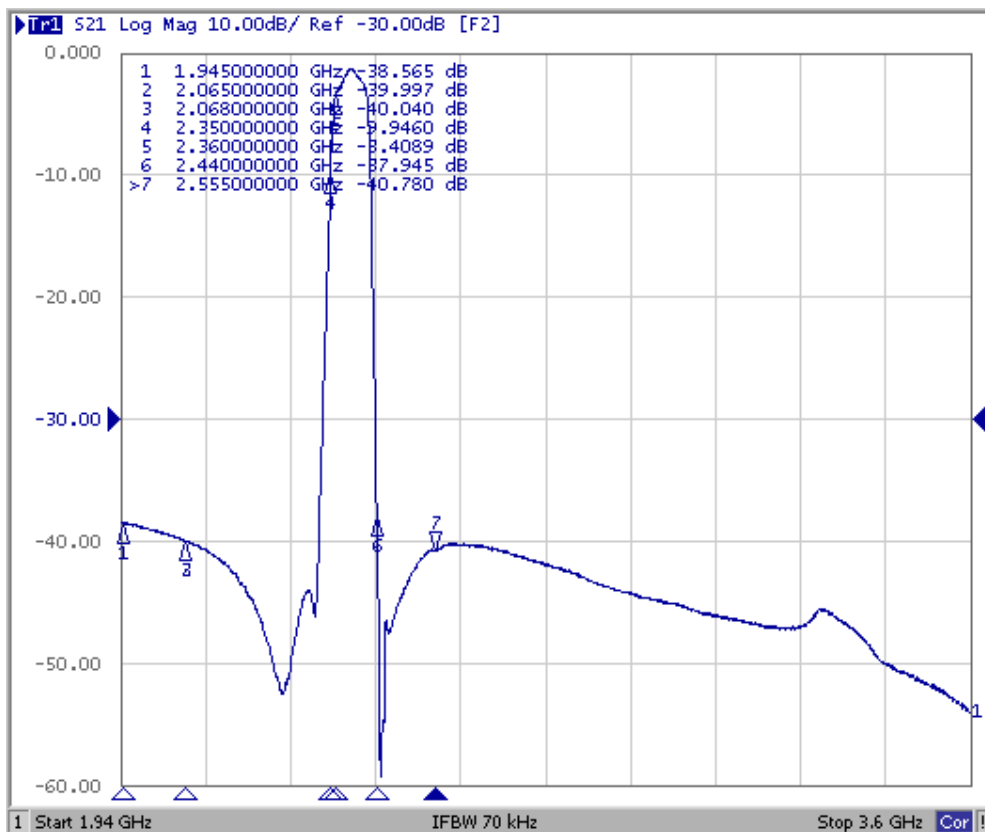
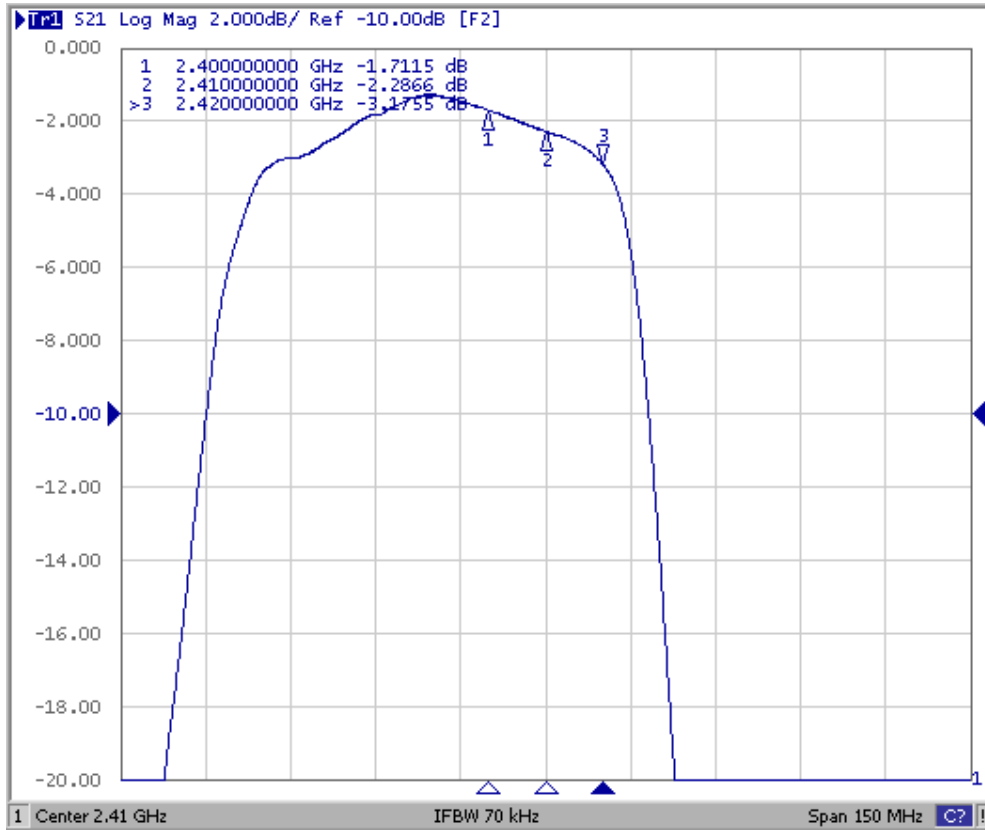
E. PCB FOOTPRINT:



SAW Filter 2410.0MHz
Part No: MP07497

Model: TA1913A
Rev No: 1

F. FREQUENCY CHARACTERISTICS:

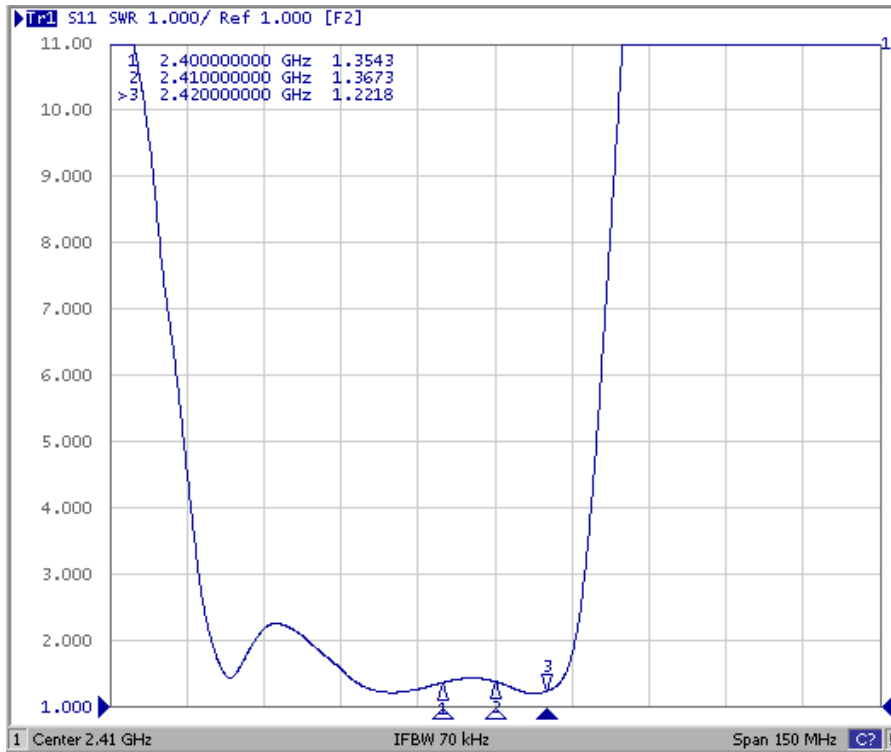


SAW Filter 2410.0MHz
Part No: MP07497

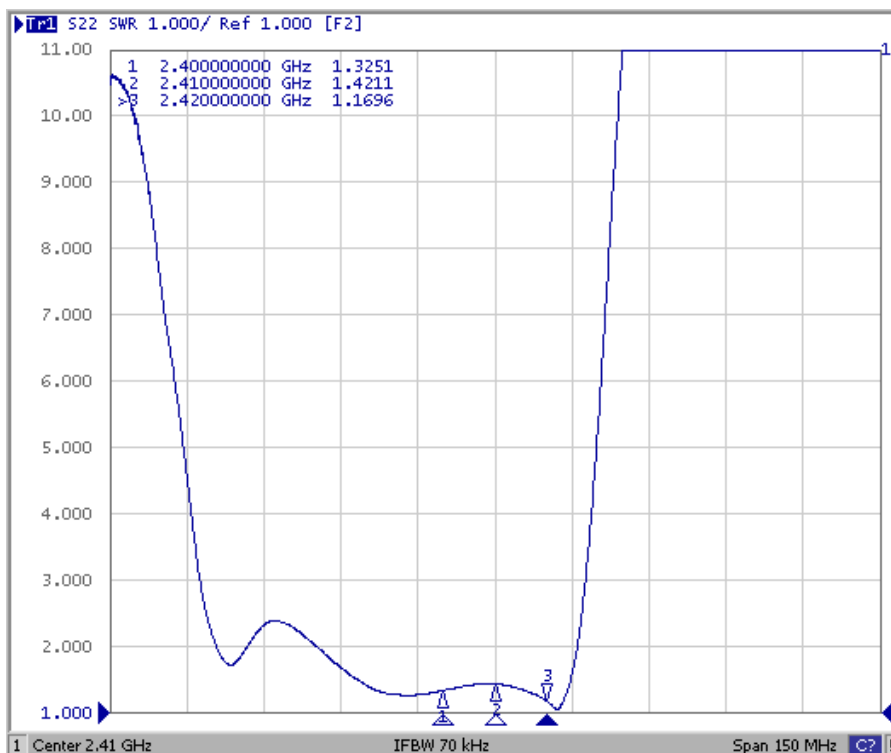
Model: TA1913A
Rev No: 1

Reflection Functions

S11



S22

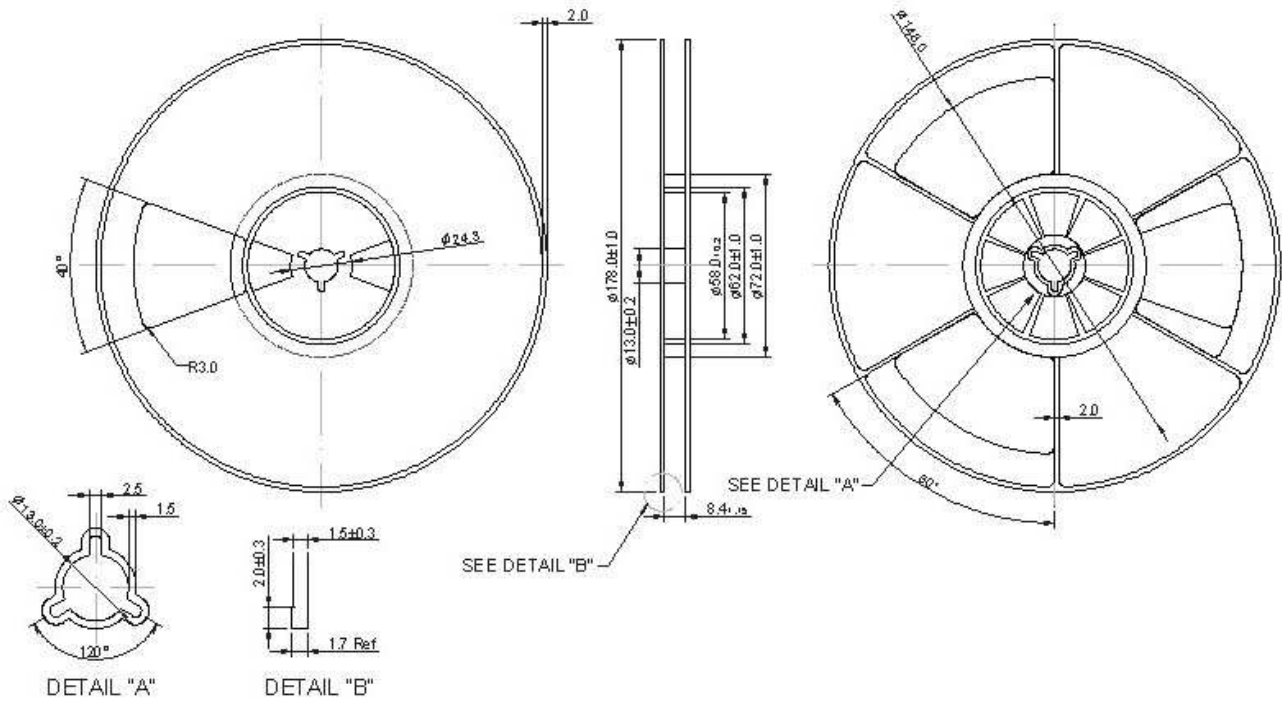


SAW Filter 2410.0MHz
Part No: MP07497

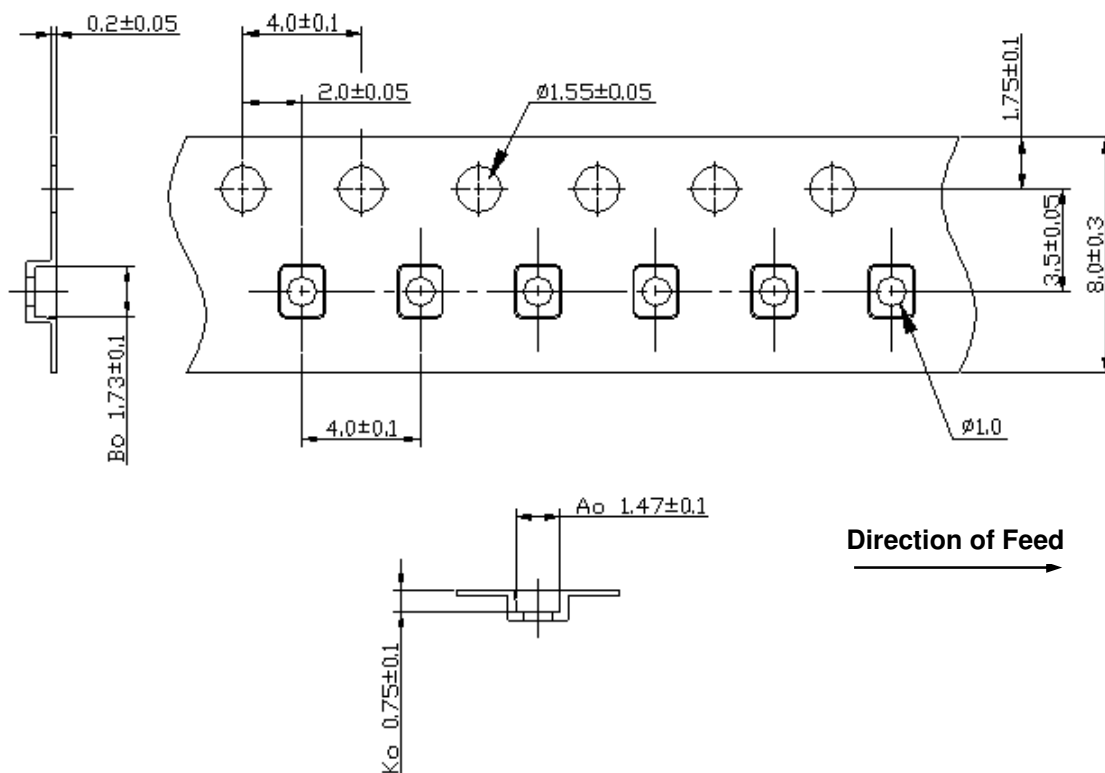
Model: TA1913A
Rev No: 1

G. PACKING:

1. Reel Dimension (Please Refer To Fr-75d10 for packing quantity)



2. Tape Dimension



SAW Filter 2410.0MHz
Part No: MP07497

Model: TA1913A
Rev No: 1

H. RECOMMENDED REFLOW PROFILE:

1. Preheating shall be fixed at 150 ~ 180°C for 60 ~ 90 seconds.
2. Ascending time to preheating temperature 150°C shall be 30 seconds min.
3. Heating shall be fixed at 220°C for 50 ~ 80 seconds and at 260°C+0/-5°C peak (20 ~ 40sec).
4. Time: 2 times.

