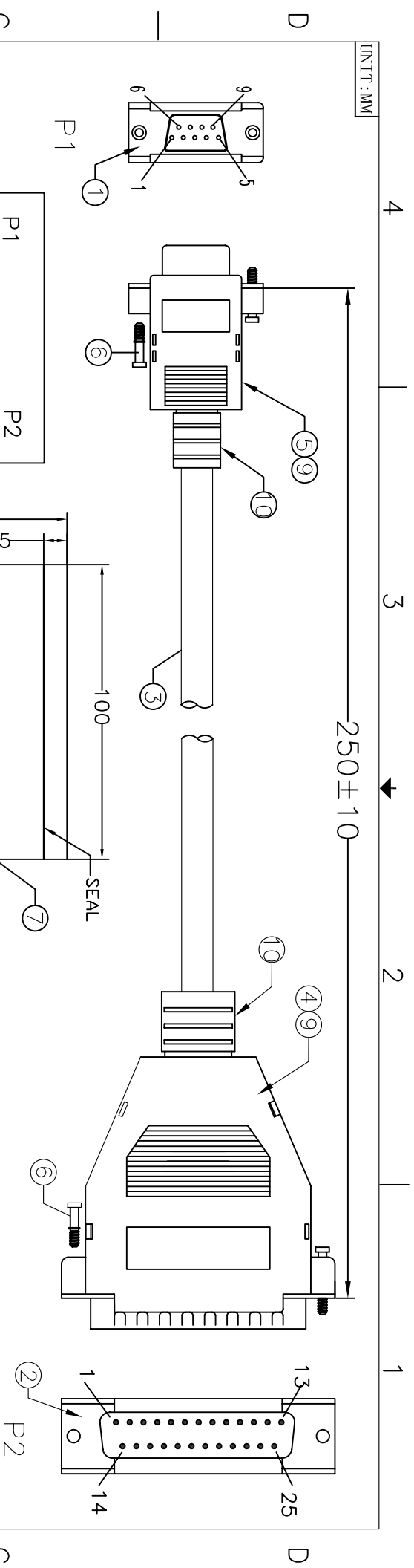
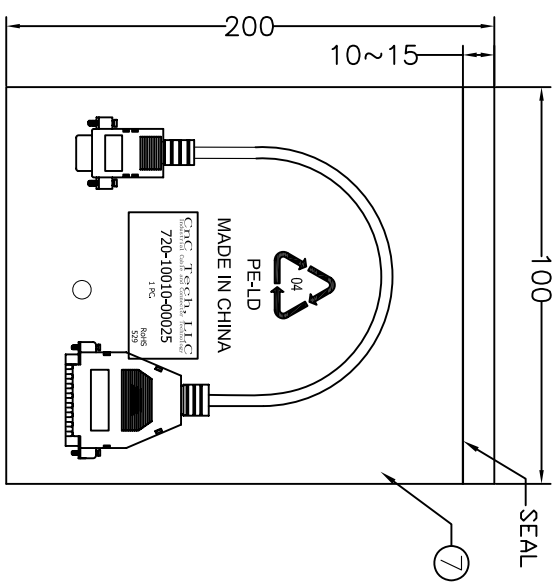


UNIT:MM



P1	1	BLACK	P2	8	
	2	GREY		3	
	3	YELLOW		2	
	4	PURPLE		20	
	5	ORANGE		7	
	6	RED		6	
	7	BROWN		4	
	8	GREEN		5	
	9	BLUE		5	
		DRAIN		22	
		SHELL			



⑩	S/R	5.5g	BEIGE(IV-29#) 45P PVC (MOULD NO.SR-50/SR-51)
⑨	TUBE	1	黑色热缩套管, OD1.5mm,L1=20mm,L2=30mm
⑧	PE BAG	1/10	CLEAR SIZE: 280*330*0.05mm PRINT BLACK"MADE IN CHINA"+"10PCS"及生产周期,有透气孔.
⑦	PE BAG	1	CLEAR SIZE: 100*200*0.05mm PRINT BLACK"MADE IN CHINA"+"1PC"及生产周期,有透气孔.
⑥	SCREW	4	SCREW #4-40UNC L=12.5mm,NICKEL PLATED
⑤	DKN	1	DB9P DKN W/O NUT BEIGE
④	DKN	1	DB25P DKN W/O NUT BEIGE
③	CABLE	1	NOUL 30AWG(7/0.10)*9C+D+AL OD5.0mm COLOR BEIGE(IV-29#)
②	CONN	1	DB25P MALE SOLDER TYPE PIN G/F, BLUE INSULATION
①	CONN	1	DB 9P FEMALE SOLDER TYPE G/F, BLUE INSULATION
NO.	NAME	QTY	

<h1>CNC Tech, LLC</h1> <p>Industrial Cable and Connector Technology</p>		DRAWN BY	ZHONGHS	DRAWING NO.	
		CHECKED BY		CUSTOMER	
<p>VERSIONS/EDITION</p>		APPROVAL BY		ITEM NO.	720-10010-00025
		DECIDE BY		DATE	2012-02-06
		A/0	PROJECT		

4 3 2 1 4 3 2 1