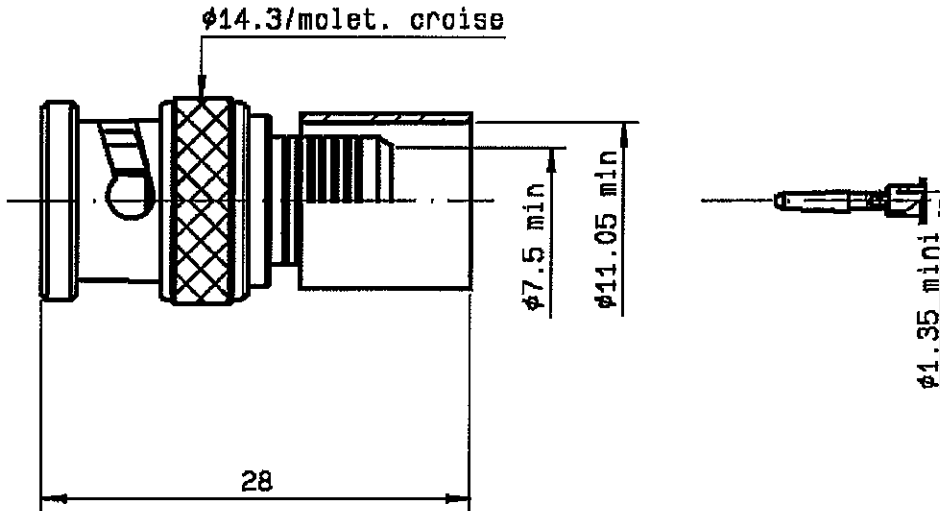


**STRAIGHT PLUG CRIMP-TYPE  
CABLE 10/75 S**

**R142.095.000**  
SERIES **BNC 75**



|                                 |                                |
|---------------------------------|--------------------------------|
| NOMINAL IMPEDANCE               | 75 $\Omega$                    |
| FREQUENCY RANGE                 | 0-3 GHz                        |
| TEMPERATURE RATING              | -65/+165 °C                    |
| V.S.W.R                         | 1.15 +0 x F(GHz)Maxi           |
| RF INSERTION LOSS               | 0.115 $\sqrt{F}$ (GHz) dB Maxi |
| VOLTAGE RATING                  | 500 Veff Maxi                  |
| DIELECTRIC WITHSTANDING VOLTAGE | 1500 Veff Mini                 |
| INSULATION RESISTANCE           | 5000 M $\Omega$ Mini           |
| HERMETIC SEAL                   | NA Atm.cm <sup>3</sup> /s      |
| LEAKAGE (pressurized only)      | NA                             |
| MECHANICAL DURABILITY           | 500 Cycles                     |
| WEIGHT                          | gr                             |
| SPECIFICATION                   |                                |

|                            |              |
|----------------------------|--------------|
| CABLES :                   | KX 8         |
|                            | FB 11        |
|                            | FB 144       |
| OTHERS CHARACTERISTICS     |              |
| CABLE RETENTION            | 300 N Mini   |
| CENTER CONTACT RETENTION   |              |
| Axial force - mating end   | 27 N Mini    |
| Axial force - opposite end | 27 N Mini    |
| Torque                     | NA cm.N Mini |
| RECOMMENDED TORQUES        |              |
| Mating                     | NA cm.N      |
| Panel nut                  | NA cm.N      |
| Clamp nut                  | NA cm.N      |

| CONNECTOR PARTS | MATERIALS       | FINISH                 | (all values are given in micrometers) |
|-----------------|-----------------|------------------------|---------------------------------------|
| BODY            | BRASS           | NICKEL 2               |                                       |
| OUTER CONTACT   |                 |                        |                                       |
| CENTER CONTACT  | BRASS           | GOLD 0.5 OVER NICKEL 2 |                                       |
| INSULATOR       | PTFE            | -                      |                                       |
| GASKET          | SILICONE RUBBER | -                      |                                       |
| OTHERS PIECES   | BRASS           | NICKEL 2               |                                       |

|         |               |                  |
|---------|---------------|------------------|
| ISSUE   | CREATION DATE | FILE PART-NUMBER |
| 0737D00 | 23/04/1991    |                  |



LELEU

The information given here is subject to change without notice. Design changes may be in order to improve the product.

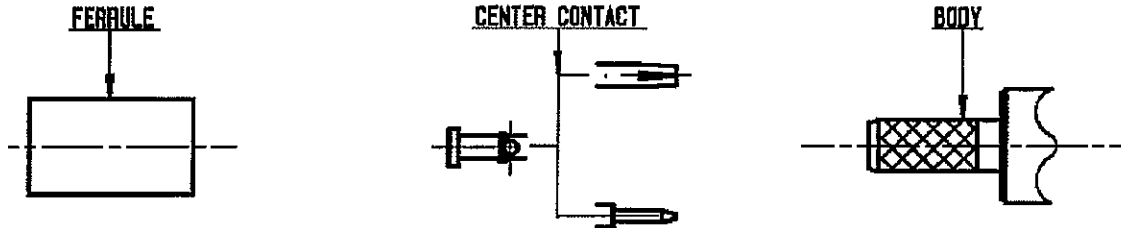
Connect to the future



**R142.095.000**

ISSUE 0737D00

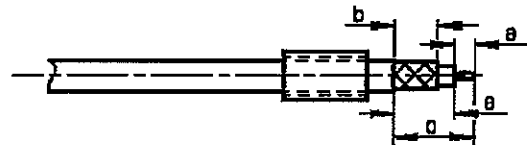
SERIES  
ENC 75



①

Slide ferrule onto cable .  
Strip the cable .

-

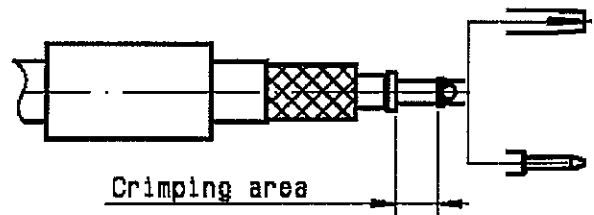


| Stripping | a     | b     | c     | d | e     |
|-----------|-------|-------|-------|---|-------|
| inch      | 0.098 | 0.354 | 0.551 | 0 | 0.453 |
| mm        | 2.5   | 9     | 14    |   | 11.5  |

②

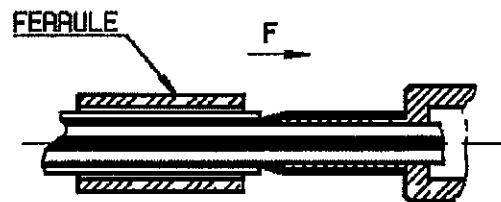
Slide on the center contact until it bottoms against cable dielectric.  
Crimp center contact, crimping tool R282.223.000 (Hex. .068) or crimping tool M22520/5-01 + dies M22520/5-11

-



③

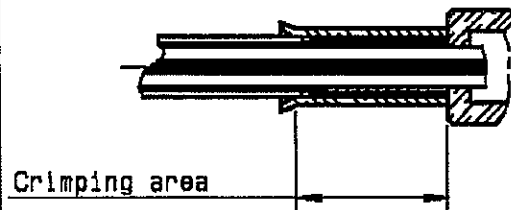
Open the braid  
Slide cable into the body until bottoms against insulator.  
Slide ferrule over the braid  
(In direction F)



④

Crimp the ferrule with crimping tool R282.231.000 ( Hex. : .415 ) or Crimping tool M22520/5-01 + dies Y 116 DANIELS  
Cut the excess of braid

-



LELEU