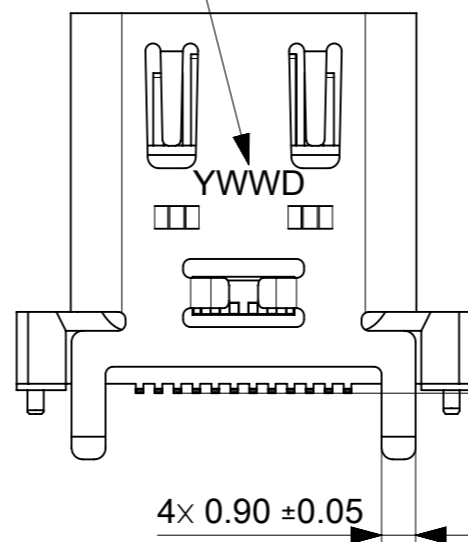


D/C SEE NOTE 7

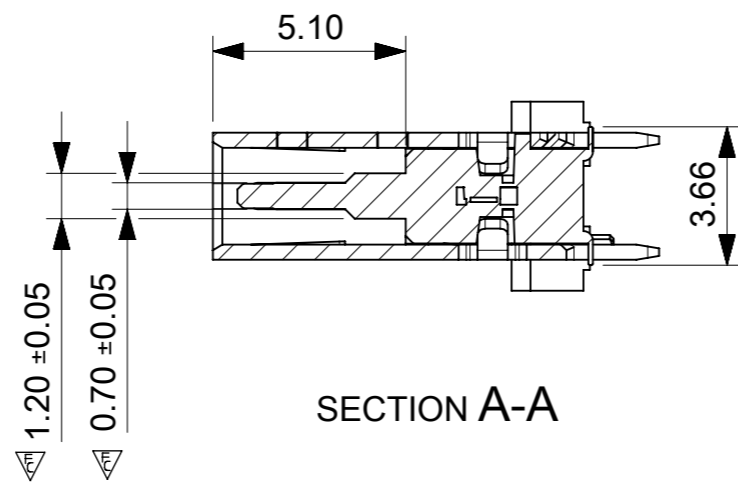
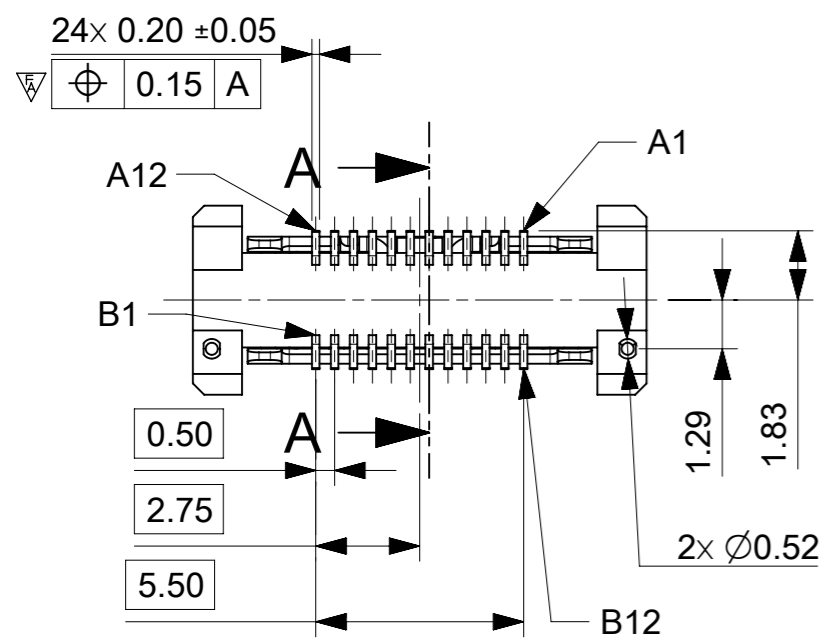


0.10
ALL CONTACTS

NOTES:

- 1.MATERIAL SPECIFICATION:
 - 1.1.HOUSING:HIGH TEMPERATURE RESISTANT PLASTIC, UL94 V-0.
 - 1.2.CAP:HIGH TEMPERATURE RESISTANT PLASTIC, UL94 V-0.
 - 1.3.CONTACTS:COPPER ALLOY
 - 1.4.MIDDLE CLIP: STAINLESS STEEL
 - 1.5.SHELL: STAINLESS STEEL
 - 1.6.EMI: STAINLESS STEEL
- 2.PLATING:
 - 2.1 TERMINAL:PLATING NICKEL 50u"~150u" OVER ALL. Au PLATING 1u" ON CONTACT AREA AND SOLDERING AREA OVER NICKEL.
 - 2.2. SHELL: PLATING NICKEL 50u"~200u"ON SOLDERING AREA.
 - 2.3.MIDDLE CLIP: CLEANING
 - 2.4.EMI: CLEANING
3. PRODUCT SPEC:PS-216990-001
4. PACKAGE SPEC:PDD_2216080001PK
5. PRODUCT COMPLIANCE TO ROHS DIRECTIVE 2011/65/EU
6. PLEASE CONTACT YOUR SALES REPRESENTATIVE IF INTENDED FOR AUTOMOTIVE
7. DATE CODE:Y WW D

DAY
WEEK
YEAR

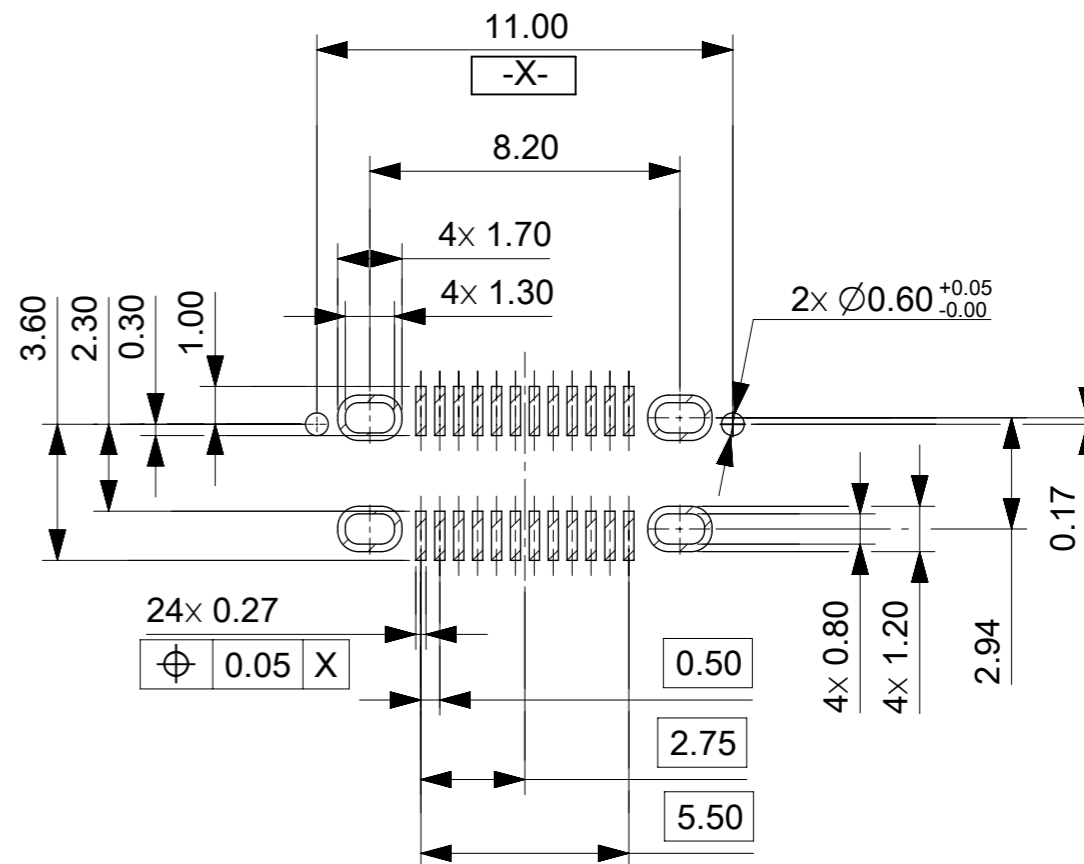
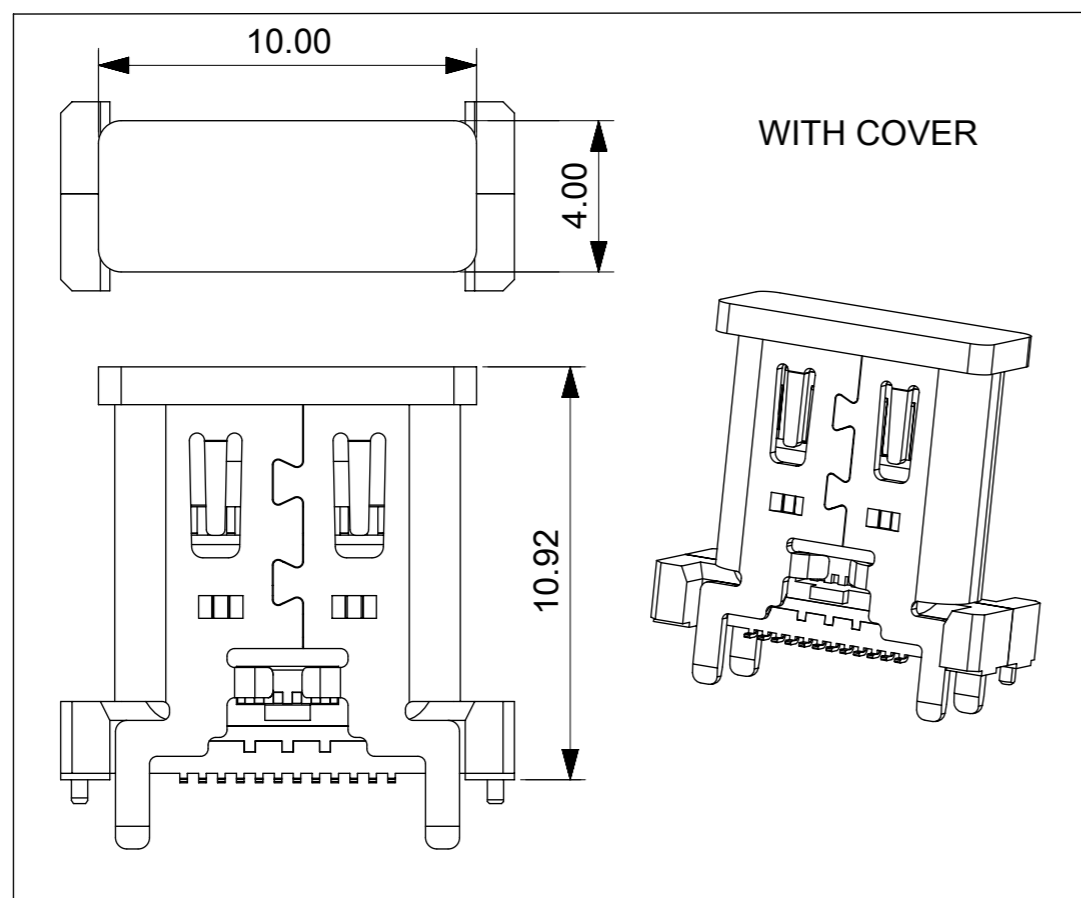


SECTION A-A

FUNCTIONAL SYMBOLS	THIS DRAWING CONTAINS INFORMATION THAT IS PROPRIETARY TO MOLEX ELECTRONIC TECHNOLOGIES, LLC AND SHOULD NOT BE USED WITHOUT WRITTEN PERMISSION		CURRENT REV DESC: FIRST RELEASED		molex		
	2	mm	5:1				
	GENERAL TOLERANCES (UNLESS SPECIFIED)				USB CF24P VERTICAL SMT		
	5	ANGULAR TOL ± 3.0°		EC NO: 733316	PRODUCT CUSTOMER DRAWING		
	4 PLACES ±			DRWN: DARIEY	2022/12/19	DOCUMENT NUMBER	
	3 PLACES ±			CHK'D: RLI09	2023/01/30	DOC TYPE DOC PART REVISION	
	2 PLACES ± 0.25			APPR: RLI09	2023/01/30	2216080001 PSD 000 A	
DIVISIONAL SYMBOLS	1 PLACE ±			INITIAL REVISION:		MATERIAL NUMBER	
	0 PLACES ±			DRWN: DARIEY	2022/12/19	CUSTOMER	
				APPR: RLI09	2023/01/30	GENERAL MARKET	
	DRAFT WHERE APPLICABLE MUST REMAIN WITHIN DIMENSIONS		FIRST ANGLE PROJECTION	DRAWING	SERIES	MATERIAL NUMBER	SHEET NUMBER
				A3-SIZE	221608	2216080001	1 OF 2

USB TYPE-C PIN ASSIGNMENTS

PIN NUMBER	SIGNAL NAME	PIN NUMBER	SIGNAL NAME
A1	GND	B12	GND
A2	TXp1	B11	RXp1
A3	TXn1	B10	RXn1
A4	V _{BUS}	B9	V _{BUS}
A5	CC1	B8	SBU2
A6	Dp1	B7	Dn2
A7	Dn1	B6	Dp2
A8	SBU1	B5	CC2
A9	V _{BUS}	B4	V _{BUS}
A10	RXn2	B3	TXn2
A11	RXp2	B2	TXp2
A12	GND	B1	GND



RECOMMENDED PCB LAYOUT(TOP VIEW)
THICKNESS 1.0±0.05MM;DEFAULT TOLERANCE:±0.05

FUNCTIONAL SYMBOLS $\nabla/A = 0$ $\nabla/E = 0$ $\nabla/F = 0$	THIS DRAWING CONTAINS INFORMATION THAT IS PROPRIETARY TO MOLEX ELECTRONIC TECHNOLOGIES, LLC AND SHOULD NOT BE USED WITHOUT WRITTEN PERMISSION DIMENSION UNITS: mm SCALE: 1:1	CURRENT REV DESC: FIRST RELEASED EC NO: 733316 DRWN: DARIEY CHK'D: RL109 APPR: RL109			
	GENERAL TOLERANCES (UNLESS SPECIFIED) ANGULAR TOL ± 3.0° 4 PLACES ± 3 PLACES ± 2 PLACES ± 0.25 1 PLACE ± 0 PLACES ±	2022/12/19 2023/01/30 2023/01/30			
	DIVISIONAL SYMBOLS DRAFT WHERE APPLICABLE MUST REMAIN WITHIN DIMENSIONS FIRST ANGLE PROJECTION DRAWING: A3-SIZE SERIES: 221608	INITIAL REVISION: DRWN: DARIEY APPR: RL109 2022/12/19 2023/01/30	DOCUMENT NUMBER: 2216080001 DOC TYPE: PSD DOC PART: 000 REVISION: A	MATERIAL NUMBER: 2216080001 CUSTOMER: GENERAL MARKET	SHEET NUMBER: 2 OF 2