

SK 14-D


Order No.: 3026874



<http://eshop.phoenixcontact.de/phoenix/treeViewClick.do?UID=3026874>

Shield connection terminal block, for applying the shield directly to the
conductive mounting plates

Commercial data

GTIN (EAN)	 4 017918 820268
sales group	A502
Pack	10 pcs.
Customs tariff	85369010
Catalog page information	Page 678 (CL-2009)

Product notes

WEEE/RoHS-compliant since:
02/15/2005



<http://www.download.phoenixcontact.com>
Please note that the data given here has been taken from the online catalog. For comprehensive information and data, please refer to the user documentation. The General Terms and Conditions of Use apply to Internet downloads.

Technical data

General

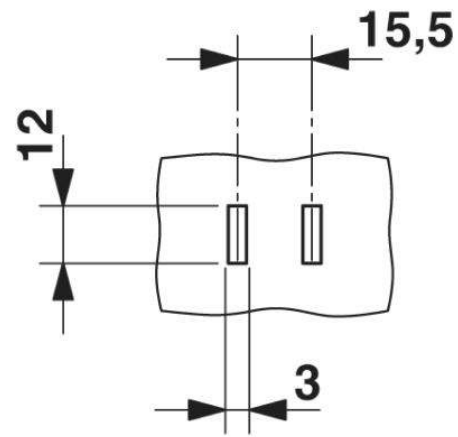
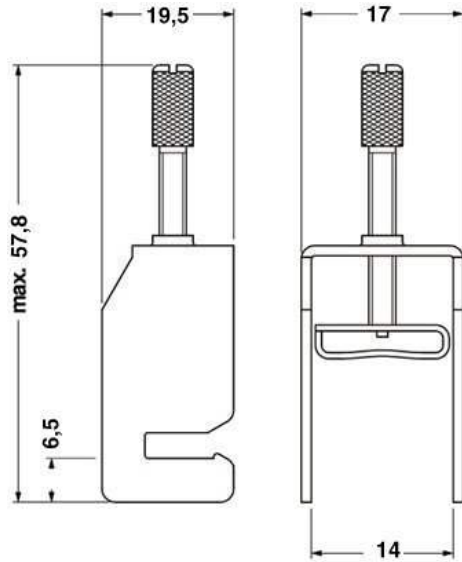
Color	silver
-------	--------

Connection data

Tightening torque max	0.8 Nm
-----------------------	--------

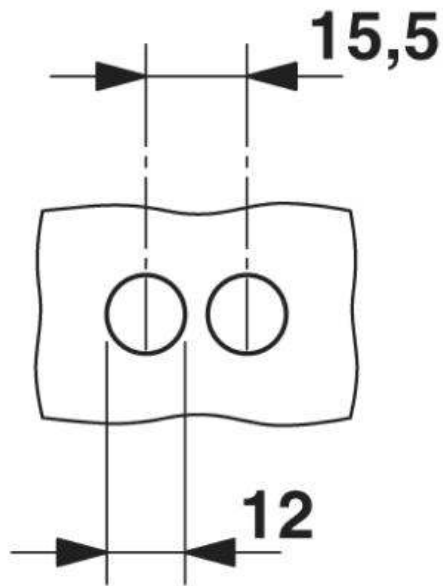
Diagrams/Drawings

Dimensioned drawing



Punching template

Drilling diagram



SK 14-D Order No.: 3026874

<http://eshop.phoenixcontact.de/phoenix/treeViewClick.do?UID=3026874>

Address

PHOENIX CONTACT Deutschland GmbH
Flachmarktstr. 8
32825 Blomberg, Germany
Phone +49 5235 3 12000
Fax +49 5235 3 41200
<http://www.phoenixcontact.de>



© 2011 Phoenix Contact
Technical modifications reserved;