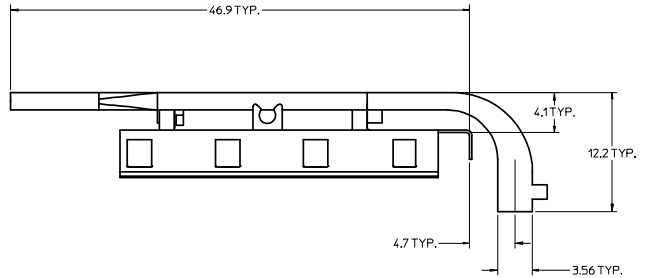
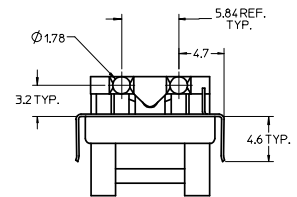
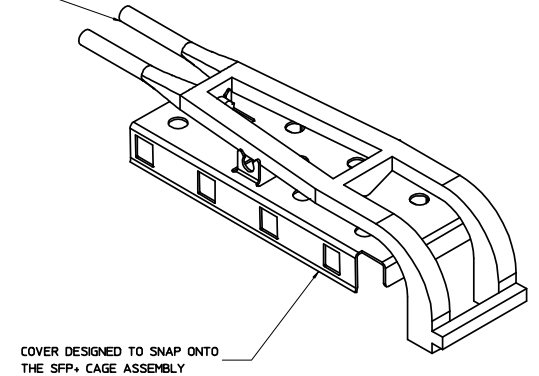
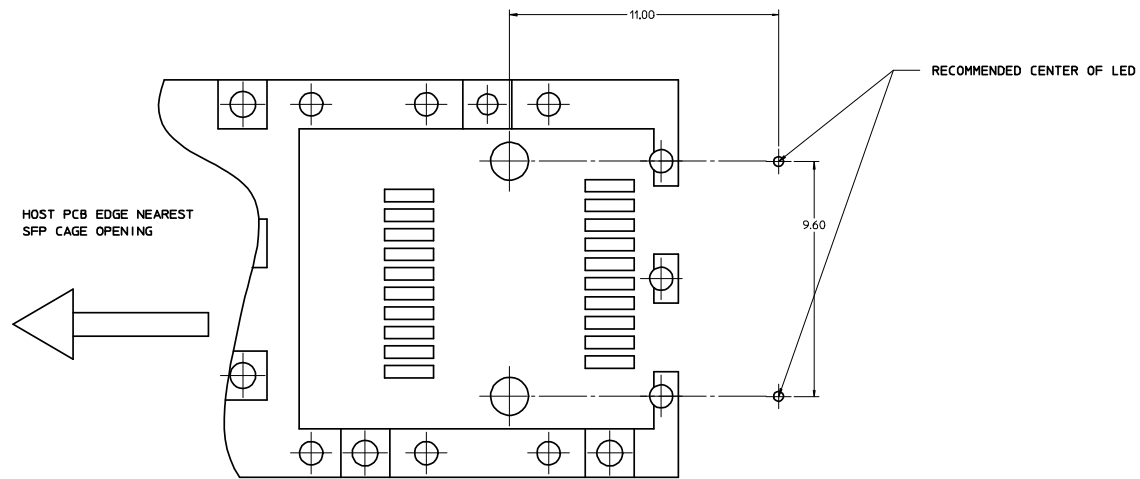
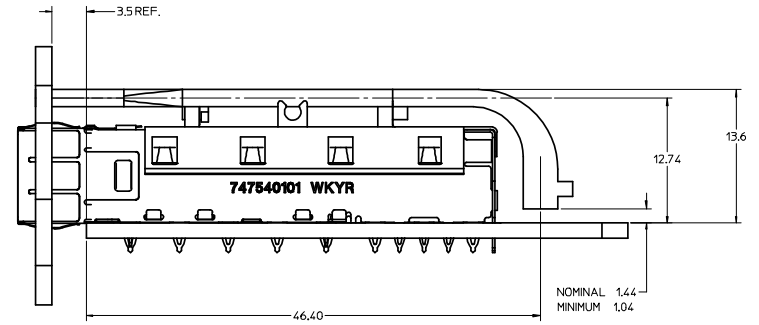
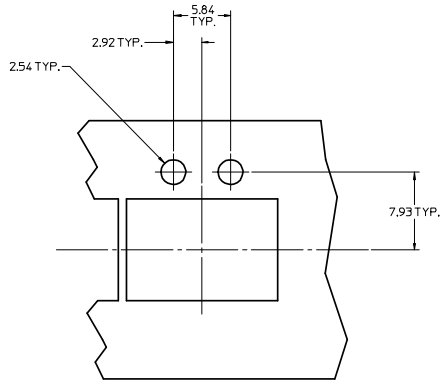


LIGHT PIPES SECURED TO METAL CAGE COVER



- MATERIAL :**  
COVER: COPPER ALLOY  
LIGHT PIPE: POLYCARBONATE (94-V0 RATED)
- THIS LIGHT PIPE ASSEMBLY IS TO BE USED WITH THE SFP+ 1X CAGE ASSEMBLY P/N 7475401\*\*
- IT IS RECOMMENDED THAT THE CAGE BE PRESSED INTO OR SOLDERED TO THE PCB PRIOR TO ASSEMBLING THE LIGHT PIPE ASSEMBLY.
- THIS PART MEETS THE RESTRICTION OF HAZARDOUS SUBSTANCES IN ELECTRICAL AND ELECTRONIC EQUIPMENT (RoHS) DIRECTIVE (2002/95/EC)

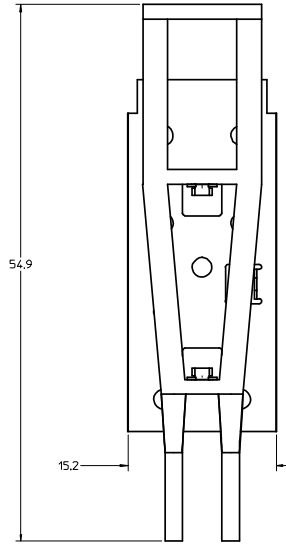
<b>ENTER DESCRIPTION</b> IEC NO: USY2008-0491 DRAWN: JERWIN 2008/07/10 CHKD: ARINKE 2008/07/10 APPR: K.JANOTA 2008/07/22 DESCRIPTION	QUALITY SYMBOLS	GENERAL TOLERANCES (UNLESS SPECIFIED)	DIMENSION STYLE	SCALE	DESIGN UNITS	THIRD ANGLE PROJECTION															
	▼=0 ▽=0	<table border="1"> <tr> <th></th> <th>mm</th> <th>INCH</th> </tr> <tr> <td>4 PLACES</td> <td>±---</td> <td>±---</td> </tr> <tr> <td>3 PLACES</td> <td>±---</td> <td>±---</td> </tr> <tr> <td>2 PLACES</td> <td>±0.15</td> <td>±---</td> </tr> <tr> <td>1 PLACE</td> <td>±0.25</td> <td>±---</td> </tr> </table> ANGULAR ± 1°		mm	INCH	4 PLACES	±---	±---	3 PLACES	±---	±---	2 PLACES	±0.15	±---	1 PLACE	±0.25	±---	MM ONLY	4:1	METRIC	
		mm	INCH																		
	4 PLACES	±---	±---																		
3 PLACES	±---	±---																			
2 PLACES	±0.15	±---																			
1 PLACE	±0.25	±---																			
DRAWN BY: JERWIN CHECKED BY: ARINKE APPROVED BY: K.JANOTA DATE: 2008/06/30 DATE: 2008/06/30 DATE: 2008/06/30	MATERIAL NO: <b>747540011</b>	TITLE: <b>SFP+ 1X1 LIGHT PIPE ASSEMBLY, LOW PROFILE</b>	MOLEX INCORPORATED	DOCUMENT NO: <b>SD-74754-0011</b>	SHEET NO: <b>1 OF 2</b>																
DRAFT WHERE APPLICABLE MUST REMAIN WITHIN DIMENSIONS	THIS DRAWING CONTAINS INFORMATION THAT IS PROPRIETARY TO MOLEX INCORPORATED AND SHOULD NOT BE USED WITHOUT WRITTEN PERMISSION																				



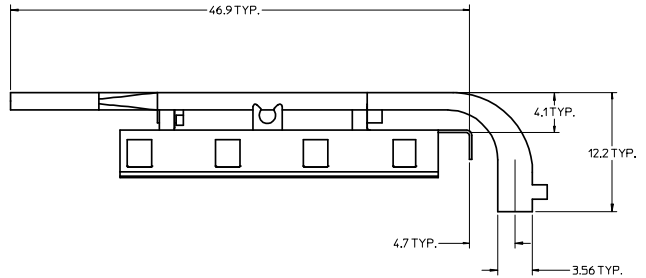
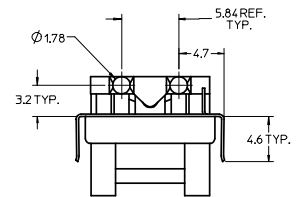
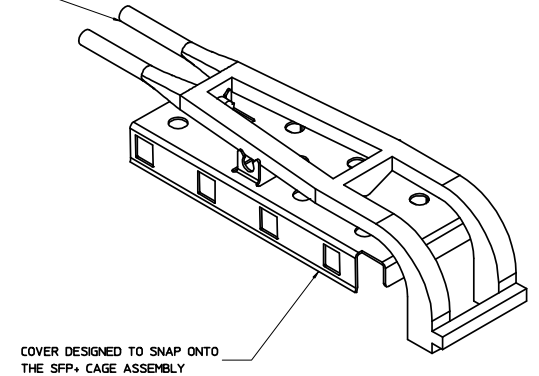
HOST PCB LAYOUT NOTES (SCALE 10:1)

1. LED SHOULD BE PLACED RELATIVE TO THE SFP CONNECTOR POST HOLES
2. LAYOUT APPLIES TO EACH PORT

<b>ENTER DESCRIPTION</b> IEC NO. USY2008-0491 DRAWN: JERWIN 2008/07/10 CHECKED: ARI NKE 2008/07/10 APPROVED: KJANOTA 2008/07/22	<b>QUALITY SYMBOLS</b> ▽=0 ▽=0	<b>GENERAL TOLERANCES (UNLESS SPECIFIED)</b>		<b>DIMENSION STYLE</b> MM ONLY	<b>SCALE</b> 4:1	<b>DESIGN UNITS</b> METRIC	THIRD ANGLE PROJECTION				
		4 PLACES ± 0.15 ± 0.15	3 PLACES ± 0.15 ± 0.15	2 PLACES ± 0.25 ± 0.25	1 PLACE ± 0.25 ± 0.25	ANGULAR ± 1°	DRAFT WHERE APPLICABLE MUST REMAIN WITHIN DIMENSIONS	DRAWN BY JERWIN 2008/06/30	CHECKED BY ARI NKE 2008/06/30	APPROVED BY KJANOTA 2008/06/30	TITLE SFP+ 1X1 LIGHT PIPE ASSEMBLY, LOW PROFILE
		MATERIAL NO. 747540011		DOCUMENT NO. SD-74754-0011		MOLEX INCORPORATED		SHEET NO. 2 OF 2			
		THIS DRAWING CONTAINS INFORMATION THAT IS PROPRIETARY TO MOLEX INCORPORATED AND SHOULD NOT BE USED WITHOUT WRITTEN PERMISSION									

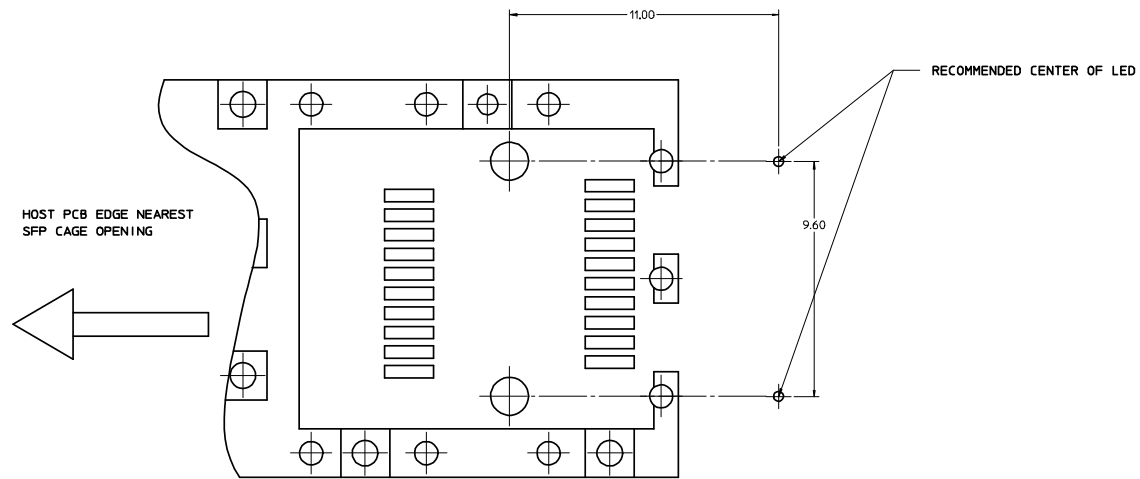
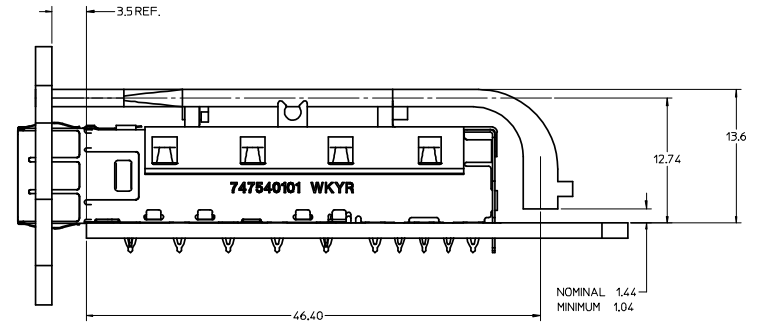
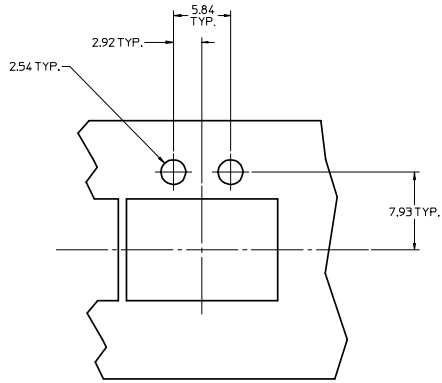


LIGHT PIPES SECURED TO METAL CAGE COVER



- MATERIAL :**  
COVER: COPPER ALLOY  
LIGHT PIPE: POLYCARBONATE (94-V0 RATED)
- THIS LIGHT PIPE ASSEMBLY IS TO BE USED WITH THE SFP+ 1X CAGE ASSEMBLY P/N 7475401\*\*
- IT IS RECOMMENDED THAT THE CAGE BE PRESSED INTO OR SOLDERED TO THE PCB PRIOR TO ASSEMBLING THE LIGHT PIPE ASSEMBLY.
- THIS PART MEETS THE RESTRICTION OF HAZARDOUS SUBSTANCES IN ELECTRICAL AND ELECTRONIC EQUIPMENT (RoHS) DIRECTIVE (2002/95/EC)

<b>ENTER DESCRIPTION</b> IEC NO: USY2008-0491 DRAWN: JERWIN 2008/07/10 CHKD: ARINKE 2008/07/10 APPR: K.JANOTA 2008/07/22 DESCRIPTION	QUALITY SYMBOLS	GENERAL TOLERANCES (UNLESS SPECIFIED)	DIMENSION STYLE	SCALE	DESIGN UNITS	THIRD ANGLE PROJECTION															
	▼=0 ▽=0	<table border="1"> <thead> <tr> <th></th> <th>mm</th> <th>INCH</th> </tr> </thead> <tbody> <tr> <td>4 PLACES</td> <td>±---</td> <td>±---</td> </tr> <tr> <td>3 PLACES</td> <td>±---</td> <td>±---</td> </tr> <tr> <td>2 PLACES</td> <td>±0.15</td> <td>±---</td> </tr> <tr> <td>1 PLACE</td> <td>±0.25</td> <td>±---</td> </tr> </tbody> </table> ANGULAR ± 1°		mm	INCH	4 PLACES	±---	±---	3 PLACES	±---	±---	2 PLACES	±0.15	±---	1 PLACE	±0.25	±---	MM ONLY DRAWN BY: JERWIN CHECKED BY: ARINKE APPROVED BY: KJANOTA DATE: 2008/06/30 DATE: 2008/06/30 DATE: 2008/06/30	4:1	METRIC	TITLE: SFP+ 1X1 LIGHT PIPE ASSEMBLY, LOW PROFILE MOLEX INCORPORATED
		mm	INCH																		
	4 PLACES	±---	±---																		
3 PLACES	±---	±---																			
2 PLACES	±0.15	±---																			
1 PLACE	±0.25	±---																			
DRAFT WHERE APPLICABLE MUST REMAIN WITHIN DIMENSIONS	MATERIAL NO: 747540011 SIZE: D	WATERMARK NO: 747540011 DOCUMENT NO: SD-74754-0011	MOLEX INCORPORATED	SHEET NO: 1 OF 2																	



HOST PCB LAYOUT NOTES (SCALE 10:1)

1. LED SHOULD BE PLACED RELATIVE TO THE SFP CONNECTOR POST HOLES
2. LAYOUT APPLIES TO EACH PORT

<b>ENTER DESCRIPTION</b> IEC NO. USY2008-0491 DRAWN: JERWIN 2008/07/10 CHECKED: ARI NKE 2008/07/10 APPROVED: KJANOTA 2008/07/22	<b>QUALITY SYMBOLS</b> ▽=0 ▽=0	<b>GENERAL TOLERANCES (UNLESS SPECIFIED)</b>		<b>DIMENSION STYLE</b> MM ONLY	<b>SCALE</b> 4:1	<b>DESIGN UNITS</b> METRIC	THIRD ANGLE PROJECTION		
		4 PLACES ± 0.15 ± 0.05 3 PLACES ± 0.15 ± 0.05 2 PLACES ± 0.15 ± 0.05 1 PLACE ± 0.25 ± 0.10	mm INCH	DRAWN BY JERWIN	DATE 2008/06/30	<b>TITLE</b> SFP+ 1X1 LIGHT PIPE ASSEMBLY, LOW PROFILE			
		ANGULAR ± 1°	DRAFT WHERE APPLICABLE MUST REMAIN WITHIN DIMENSIONS	CHECKED BY ARI NKE	DATE 2008/06/30	<b>MOLEX INCORPORATED</b>			
		APPROVED BY KJANOTA	DATE 2008/06/30	MATERIAL NO. 747540011	DOCUMENT NO. SD-74754-0011	SHEET NO. 2 OF 2			