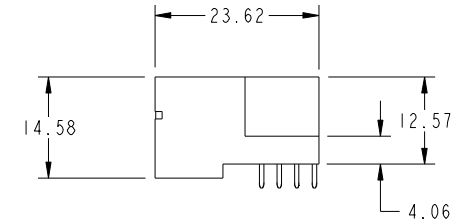
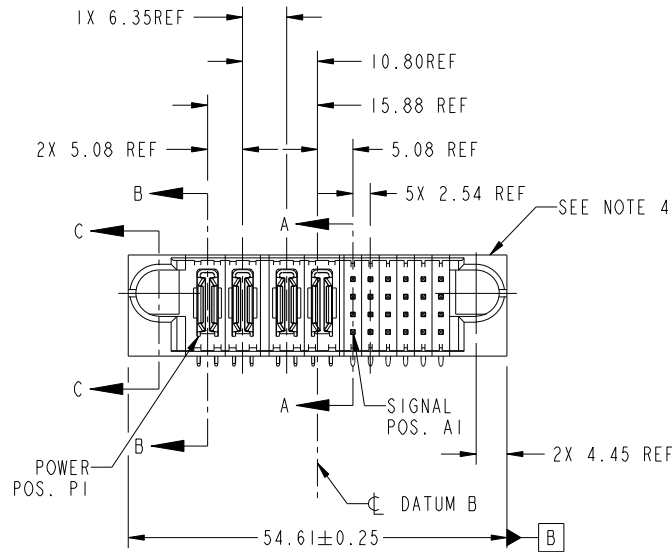


Tous droits strictement reserves. Reproduction ou communication a des tiers interdite sous quelque forme que ce soit sans autorisation écrite du propriétaire. Propriete de c FCI. Droits de reproduction FCI.



All rights strictly reserved. Reproduction or issue to third parties in any form whatever is not permitted without written authority from the proprietor. Property of FCI. Copyright FCI.

PRODUCT NO.	ROWS	POWER				SIGNAL								
		E1	P1	P2	P3	P4	1	2	3	4	5	6	E2	
51939-317... NOTE 3	D C B A													



CODE	DIM "M" MATING LENGTH	CONTACT TYPE
H	[5.59]	SIGNAL
E	[5.59]	SIGNAL
G	[5.59]	SIGNAL
F	[5.59]	SIGNAL
PA	[N/A]	POWER
R	[6.86]	SIGNAL
S	[6.86]	SIGNAL
T	[6.86]	SIGNAL

mat'l code				SEE NOTE 2		tolerances unless otherwise specified		CUSTOMER	
ltr	ecn no.	dr	date	linear	0.X ± 0.3	angles	0° ± 2°	projection	MM
A	DG07-0353	SH	08/31/07		0.XX ± 0.13			scale	1:1
				dr	Sincere He	08/31/07			
				enr	Sincere He	08/31/07			
				chr	Gary Hsieh	08/31/07			
				appd	Joseph Hsia	08/31/07			
sheet index	revision sheet	A	A	A	A	A	A		
		1	2	3	4				

CONFIDENTIAL

FCI www.fciconnect.com

title 4P + 24S
RIGHT ANGLE SOLDER HEADER

product family PwrBlade code 213
size dwg no 51939-317 sheet 1 of 4

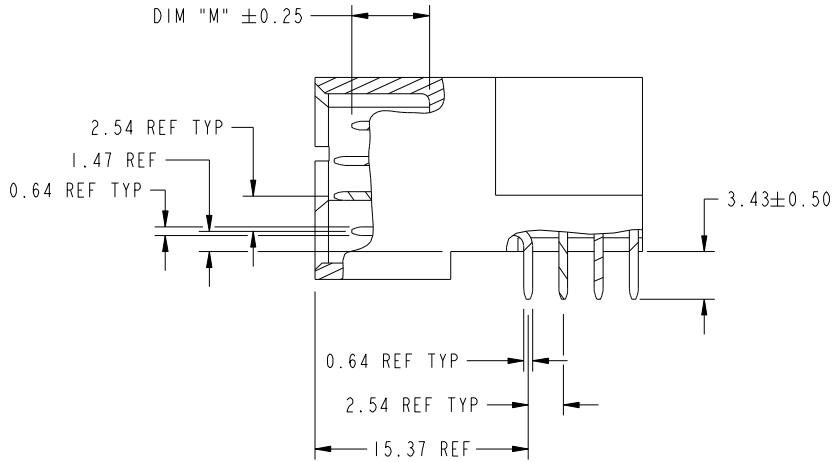
cage code 22526

Tous droits strictement reserves. Reproduction ou communication a des tiers interdite sous quelque forme que ce soit sans autorisation écrite du propriétaire. Propriete de c FCI. Droits de reproduction FCI.

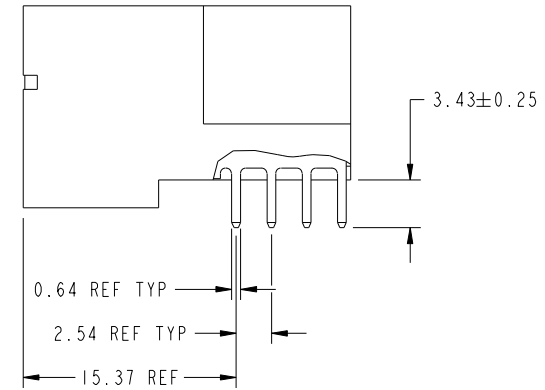


All rights strictly reserved. Reproduction or issue to third parties in any form whatever is not permitted without written authority from the proprietor. Property of FCI. Copyright FCI.

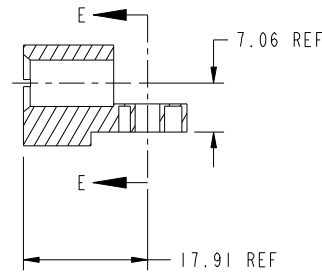
PRODUCT NUMBER
51939-317_
NOTE: 3



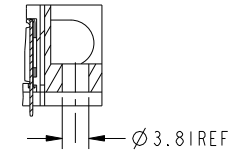
BROKEN-OUT SECTION A-A
SCALE 2:1



BROKEN-OUT SECTION B-B
SCALE 2:1



SECTION C-C



PARTIAL SECTION E-E

CONFIDENTIAL

mat'l code				SEE NOTE 2		tolerances unless otherwise specified		CUSTOMER		FCI	
ltr	ecn no.	dr	date	linear	0.X ±0.3	projection	1:1	COPY		www.fciconnect.com	
A				angles	0.XX ±0.13			title		4P + 24S	
				dr	0.XXX ±0.051			RIGHT ANGLE SOLDER HEADER		product family	PwrBlade
				enr	0° ±2°	scale	1:1	size	A	dwg no	51939-317
				chr	Sincere He 08/31/07			sheet	2 of 4		
				appd	Gary Hsieh 08/31/07						
sheet index	revision sheet										

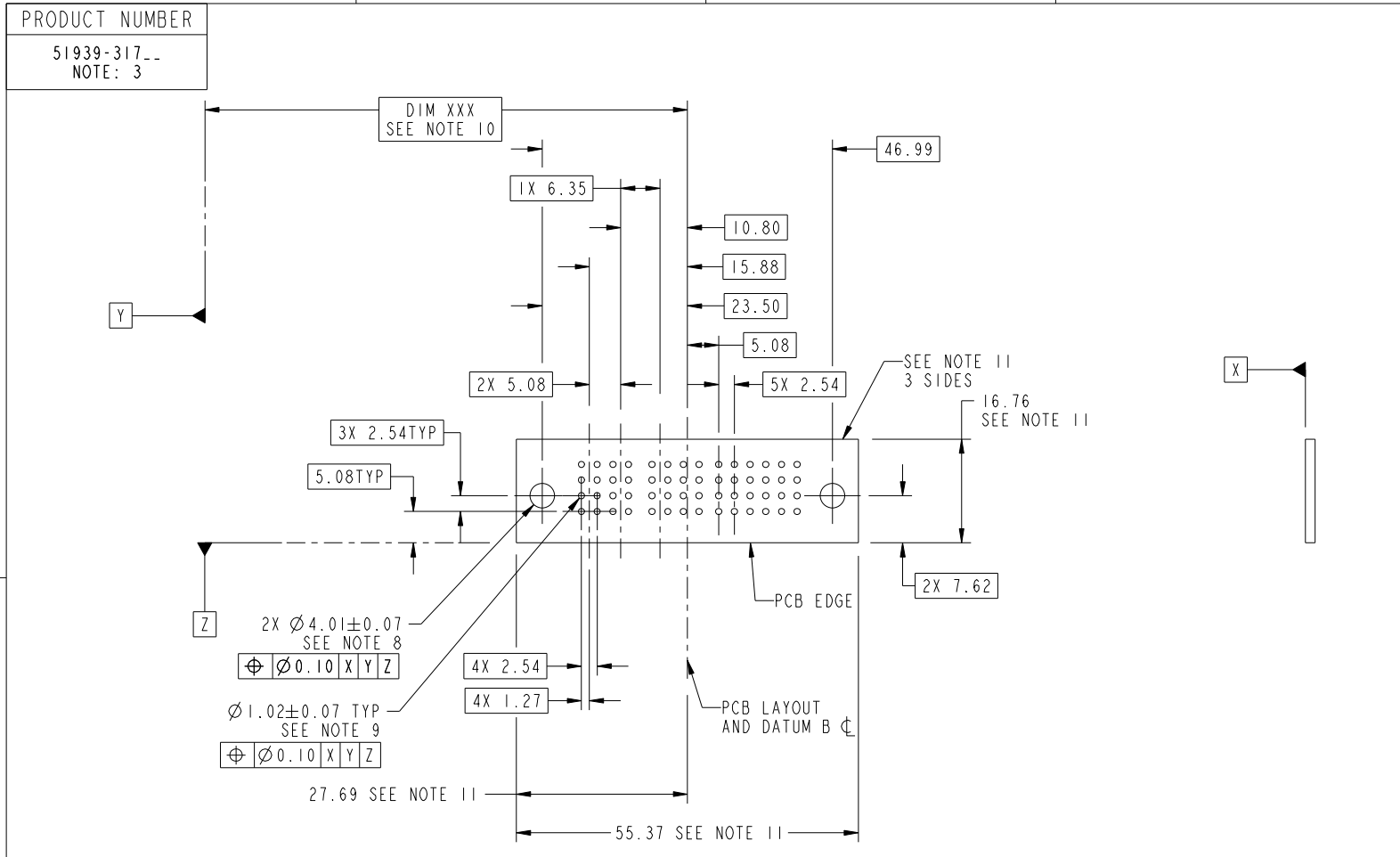
cage code 22526

Pro/E

Tous droits strictement reserves. Reproduction ou communication a des tiers interdite sous quelque forme que ce soit sans autorisation écrite du propriétaire. Propriete de c FCI. Droits de reproduction FCI.



All rights strictly reserved. Reproduction or issue to third parties in any form whatever is not permitted without written authority from the proprietor. Property of FCI. Copyright FCI.



RECOMMENDED PCB LAYOUT

CONFIDENTIAL

mat'l code				SEE NOTE 2		tolerances unless otherwise specified		CUSTOMER		FCI		www.fciconnect.com	
ltr	ecn no.	dr	date	linear	0.X ± 0.3	COPY		projection		title			
A					0.XX ± 0.13	MIM				4P + 24S RIGHT ANGLE SOLDER HEADER			
				angles	0.XXX ± 0.051	scale		product family		PwrBlade		code	
				dr	0° ± 2°	1:1		size		dwg no		213	
				enr	Sincere He 08/31/07			A		51939-317		sheet	
				chr	Sincere He 08/31/07							3 of 4	
				appd	Gary Hsieh 08/31/07								
					Joseph Hsia 08/31/07								
sheet index		revision sheet											

cage code 22526

Pro/E

Tous droits strictement reserves. Reproduction ou communication a des tiers interdite sous quelque forme que ce soit sans autorisation écrite du propriétaire. Propriete de c FCI. Droits de reproduction FCI.



All rights strictly reserved. Reproduction or issue to third parties in any form whatever is not permitted without written authority from the proprietor. Property of FCI. Copyright FCI.

PRODUCT NUMBER
51939-317--
NOTE: 3

NOTES:

1. DIMENSIONS AND TOLERANCES ARE IN ACCORDANCE WITH ASME Y14.5M, 1994 UNLESS OTHERWISE SPECIFIED.

CONNECTOR NOTES:

- 2. HOUSING MATERIAL: UL 94 V-0 GLASS FILLED
HIGH-TEMP THERMOPLASTIC
POWER CONTACT MATERIAL: COPPER ALLOY
SIGNAL PIN MATERIAL: COPPER ALLOY
- 3. 51939-317; 51939-317LF PLATING SPEC. SEE PRINT:10064183
- 4. MANUFACTURER'S NAME, P/N, AND DATE CODE TO APPEAR ON THIS SURFACE.
- 5. PRODUCT SPECIFICATION GS-12-149.
APPLICATION SPECIFICATION BUS-20-067.
- 6. PACKAGED IN TRAYS.

PCB NOTES:

- 7. ALL HOLE DIAMETERS ARE FINISHED HOLE SIZE.
- 8. MOUNTING HOLES, WHERE APPLICABLE, ARE UNPLATED.
- 9. $\varnothing 1.151 \pm 0.025$ DRILLED HOLES PLATED WITH
0.008 MIN SnPb OR Sn OVER 0.03
TO 0.08 Cu PLATING TO ACHIEVE
 $\varnothing 1.02 \pm .07$ HOLE.
- 10. "DIM XXX" TO BE DETERMINED BY THE CUSTOMER.
- 11. CONNECTOR KEEP-OUT ZONE.

CONFIDENTIAL

mat'l code				SEE NOTE 2		tolerances unless otherwise specified		CUSTOMER		FCI		www.fciconnect.com		
ltr	ecn no.	dr	date	linear	0.X ± 0.3		COPY		projection	title				
A					0.XX ± 0.13		MIM			4P + 24S RIGHT ANGLE SOLDER HEADER				
					0.XXX ± 0.051		← MIM →			product family		PwrBlade		code
				angles	0° ± 2°		scale		size		dwg no		sheet	
				dr	Sincere He	08/31/07	1:1		A		51939-317		4 of 4	
				enr	Sincere He	08/31/07								
				chr	Gary Hsieh	08/31/07								
				appd	Joseph Hsia	08/31/07								
sheet index	revision sheet													

cage code 22526

Pro/E