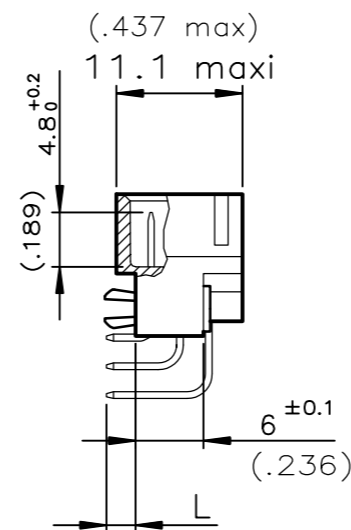
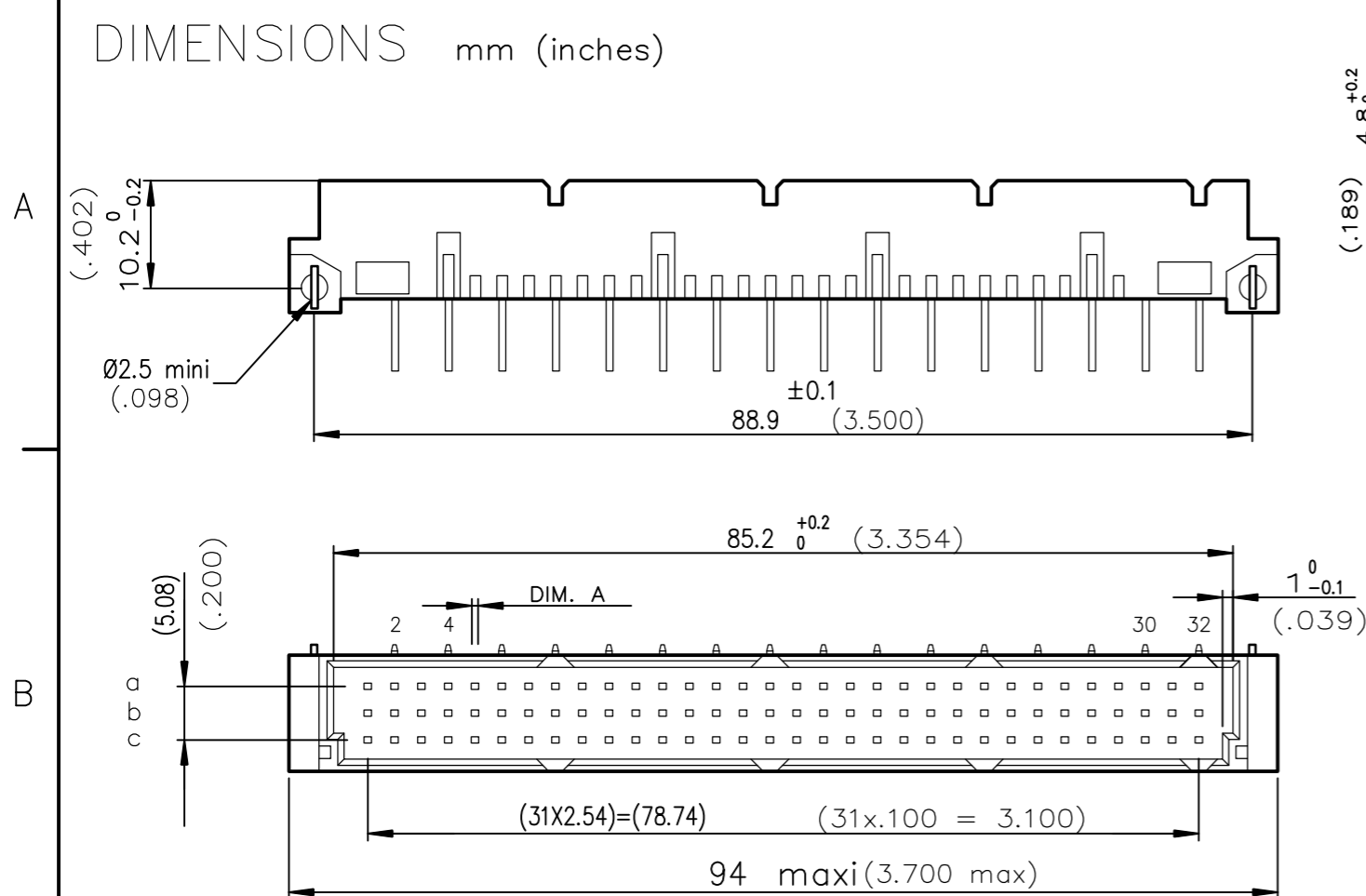
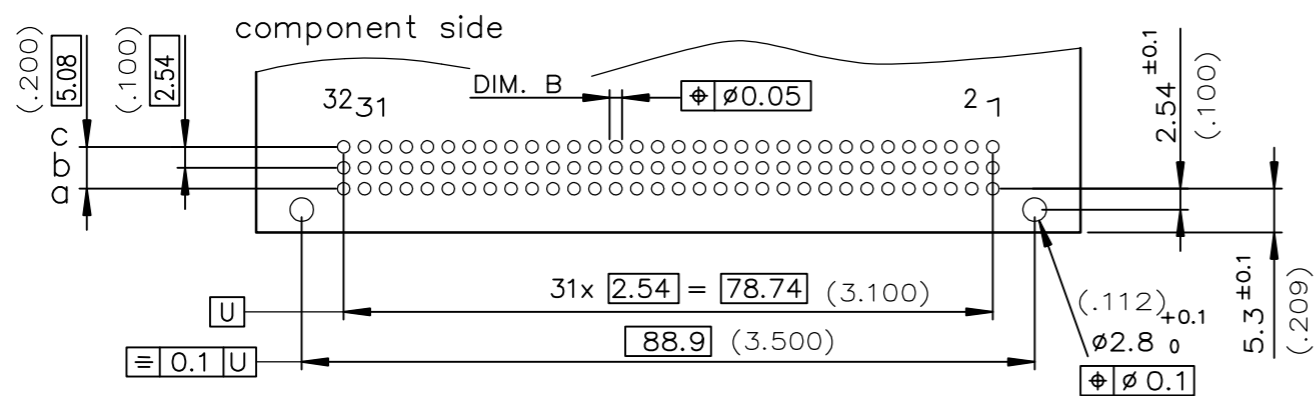


DIMENSIONS mm (inches)



PCB DRILLING



PART NUMBER		8609		71		8	
PIN OUT		rows a-b-c		3 - 48			
		rows a-c		4 - 32			
NUMBER OF CONTACTS							
TERMINATION		L = 2.75 ±0.15 (.108)		A = Ø0.6 ⁰ -0.08		B = Ø0.8 ^{+0.3} ₀	
		L = 4.15 ±0.15 (.163)		A = 0.6X0.6		B = Ø1±0.1	
OPTIONS		no option		-----		7	
		with harpoons		----- for PCB thickness 1.6 mm		H	
PERFORMANCE CLASS		DIN 41612 class 3		-----		4	
		DIN 41612 class 2		-----		5	
		DIN 41612 class 1		-----		6	
TERMINATION TYPE		TIN LEAD		-----		000E1	
		LEAD FREE		-----		E1LF	

GENERAL CHARACTERISTICS AND ROHS INFORMATIONS:

SEE DRAWING C-8609-0000A

European Views

www.fciconnect.com		surface	tolerance std	projection	mm
		ISO 1302	ISO 406 ISO 1101		
TOLERANCES UNLESS OTHERWISE SPECIFIED					
Dr	ROUILLARD	1997/10/27	ANGULAR	0.X	±0.1
Eng	TARON	1997/10/27	LINEAR	0.XX	±0.1
Chr	M JACOB	2021/07/28	0.XX' ±2	0.XXX	±0.1
Appr	SANOJ	2021/07/28	Product family		DIN 8609
				size	A3
				ECN	ELX-I-41860
				Spec ref	-
Amphenol FCI		RIGHT ANGLE MALE - STYLE C		dwg no	C-8609-0631
		SOLDER TO BOARD		Rev.	D
catalog no				CUSTOMER	sheet 1 of 1

rev	ecn no	dr	date
A	-	-	1997/10/27
B	LS05-001	JTA	2005/03/02
C	LS06-0095	LGO	2006/07/21
D	ELX-I-41860	SA	2021/07/28
-	-	-	-
-	-	-	-
-	-	-	-

Copyright AFCI. Amphenol FCI