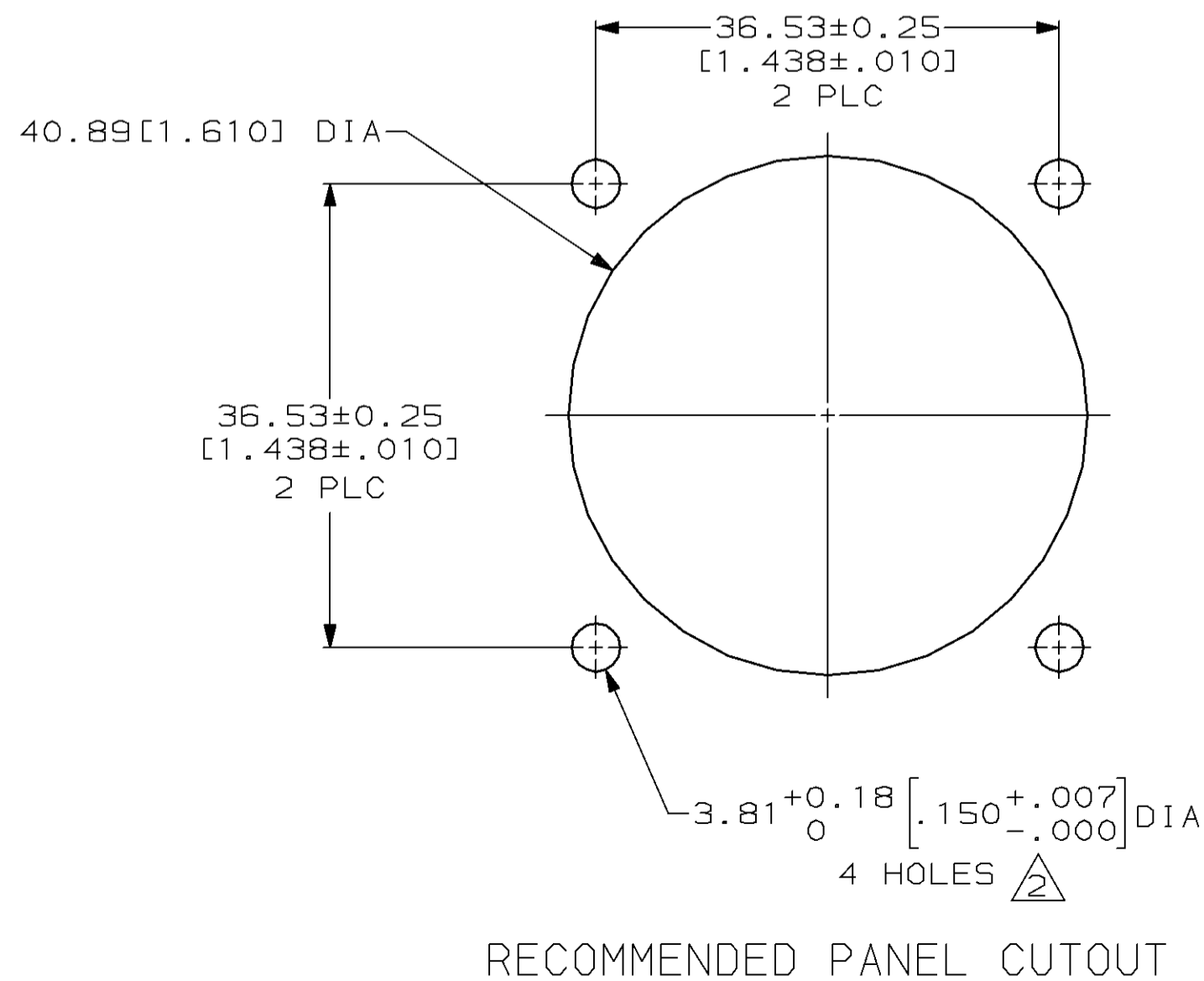
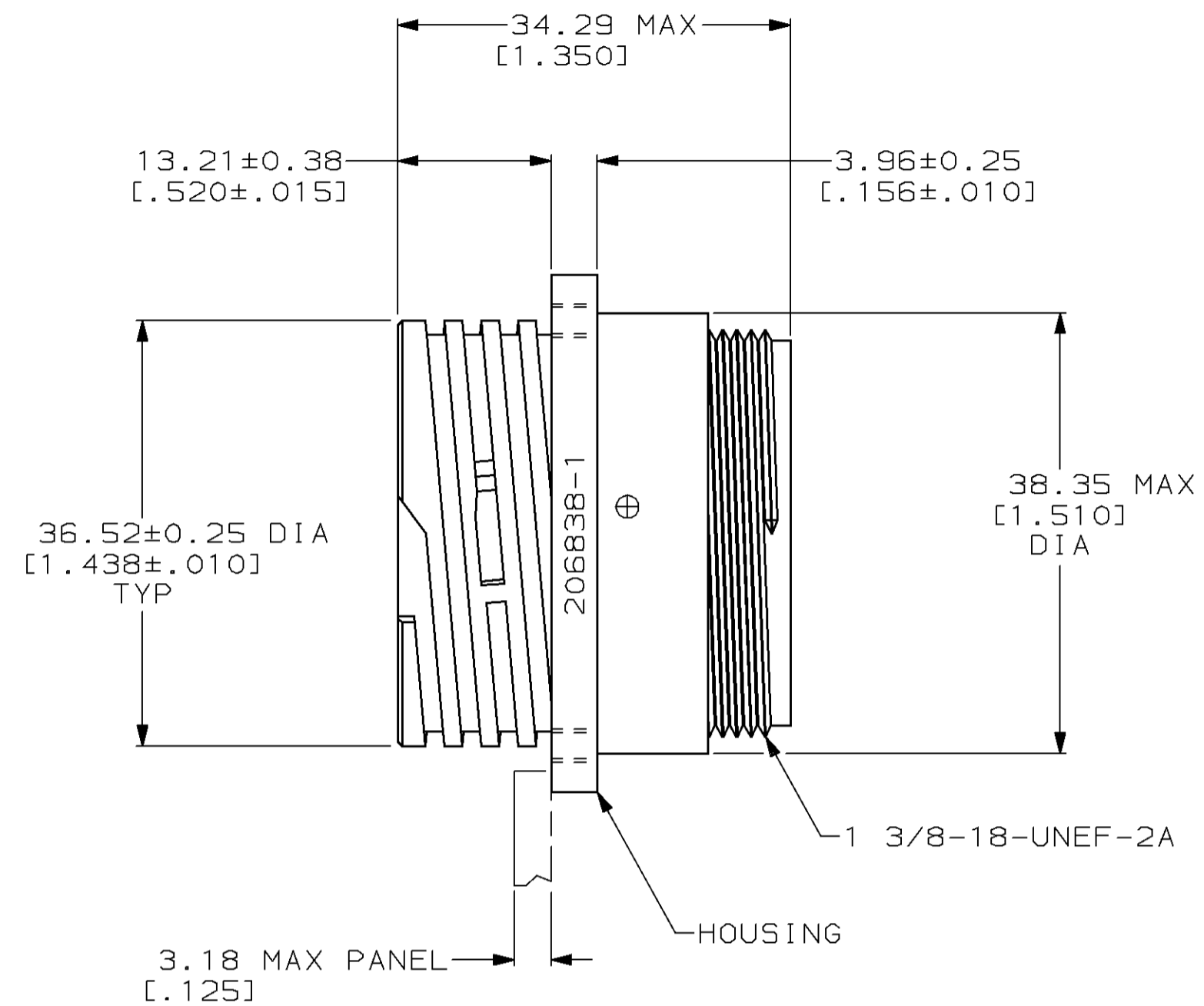
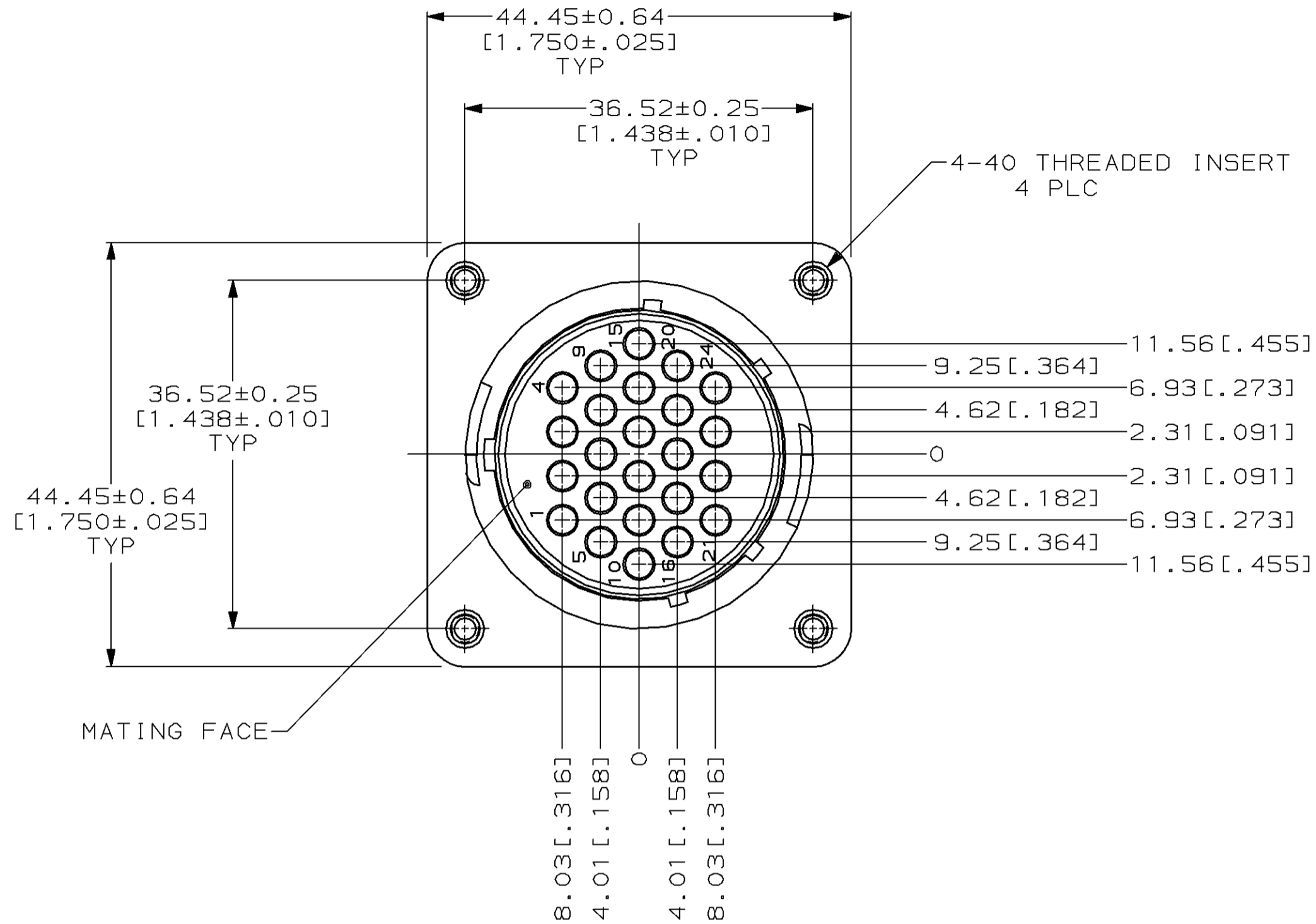


THIS DRAWING IS UNPUBLISHED. RELEASED FOR PUBLICATION  
 BY AMP INCORPORATED. ALL RIGHTS RESERVED.

Loc	Dist	REVISIONS			
P	LTR	DESCRIPTION	DATE	DWN	APVD
BD	35	B	REDRAWN WITHOUT CHANGE AND REACTIVATED -1 PER EC 0020-69-96	01 FEB 96	-



- ① HOUSING: NYLON, BLACK.  
INSERT: BRASS.
- ② NUMBER 4 FASTENER RECOMMENDED FOR MOUNTING.
- 3. CAVITY IDENTIFICATION ON FRONT AND REAR FACE.
- 4. WILL ACCEPT (24) MULTIMATE PIN CONTACTS.
- 5. MAXIMUM INSULATION NOT TO EXCEED 3.43 [.135] DIA.

211839-1  
PART NUMBER

THIS DRAWING IS A CONTROLLED DOCUMENT FOR AMP INCORPORATED. IT IS SUBJECT TO CHANGE AND THE CONTROLLING ENGINEERING ORGANIZATION SHOULD BE CONTACTED FOR THE LATEST REVISION.		DWN D.HARDY 01 FEB 96	<b>AMP</b> AMP Incorporated Harrisburg, PA 17105-3608
DIMENSIONS: mm [INCHES]		CHK R.STONE 02 FEB 96	
TOLERANCES UNLESS OTHERWISE SPECIFIED:		APVD A.FRANTUM 02 FEB 96	NAME RECEPTACLE ASSEMBLY, WITH THREADED INSERTS, SHELL SIZE 23, STANDARD SEX, CPC
0 PLC ±-	1 PLC ±-	PRODUCT SPEC 108-10024	SIZE A2
2 PLC ±0.13 [.005]	3 PLC ±-	APPLICATION SPEC 114-10038	CAGE CODE 00779
4 PLC ±-	ANGLES ±-	WEIGHT -	DRAWING NO C-211839
MATERIAL ①	FINISH -	CUSTOMER DRAWING	SCALE 2:1
			SHEET 1 OF 1
			REV B

211839