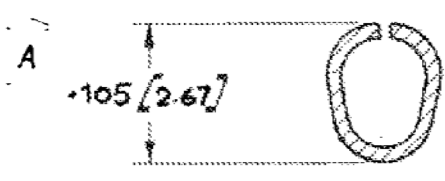
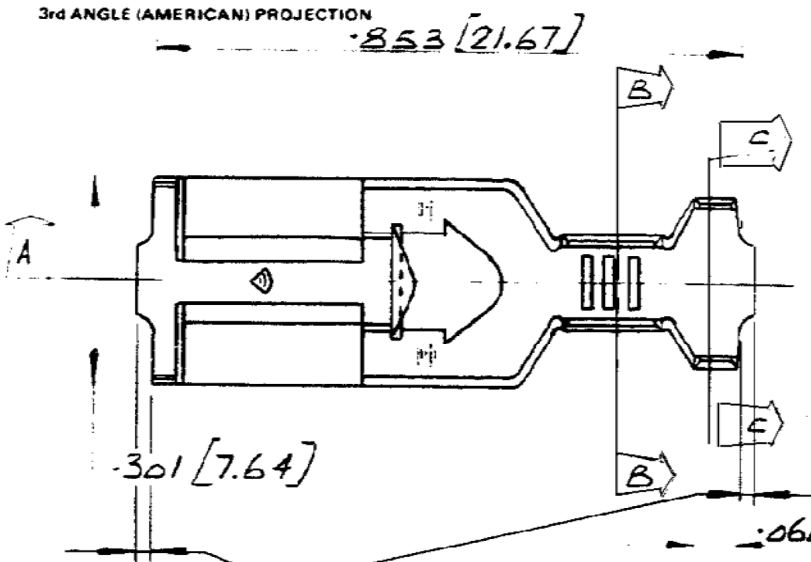


NUMBER
C-341412

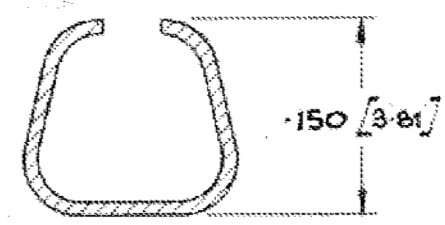
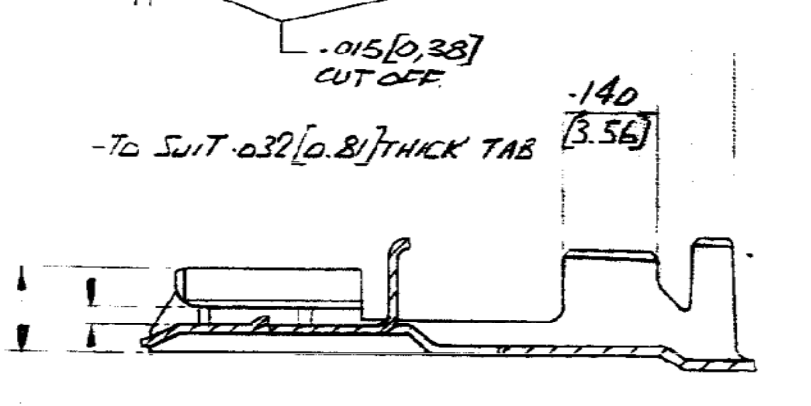
3rd ANGLE (AMERICAN) PROJECTION

DIMENSIONS IN INCHES DO NOT SCALE PRINT
DIMENSIONS THUS [] IN MM.



SECTION B-B

WIRE BARREL SECTION B-B
PRE-FORM TO HEIGHT
SHOWN WITH .115 [2.92] 'F'
CRIMPER



SECTION A-A

SECTION C-C

INSULATION BARREL SECTION C-C
PRE-FORM TO HEIGHT SHOWN WITH .165
[4.19] 'F' CRIMPER

⚠ OBSOLETE PARTS

| PART NO. | MATERIAL | FINISH | |
|------------|-----------------|---------|---|
| C-341412-5 | NICKEL SILVER | NONE | ⚠ |
| C-341412-4 | PHOSPHOR BRONZE | PRE-TIN | ⚠ |
| C-341412-3 | PHOSPHOR BRONZE | NONE | ⚠ |
| C-341412-2 | BRASS | PRE-TIN | |
| C-341412-1 | BRASS | NONE | |

| | | | | | | | |
|-----|---------------------------------|-----|-----|-----------------------------------|--|---------------------------------|--------------|
| | | | | © TE of GREAT BRITAIN LTD 1978 | | CUSTOMER COPY REFERENCE ONLY | |
| | | | | MATERIAL AND FINISH SEE TABLE | | TE Connectivity | |
| A1 | REV PER ECR-19-008681 | PC | DL | 04OCT2019 | CLASS | | |
| A | Adding note for pre-form height | C.J | RRP | 13JUN11 | TYPE | | |
| 1 | PRELIMINARY ISSUE | JPS | - | 3/5/79 | WIRE RANGE - INSULATION 0.5mm - 1.5mm - 2.1mm - 2.9mm | | |
| ISS | REVISION RECORD | DR | CHK | DATE | TOLERANCE EXCEPT AS NOTED .015 [0.38] - 1'D | | SCALE A:1 |
| DR | J.P. STOCKWELL | DE | | 4.12.13 | LOC | REV | NO |
| CHK | | APP | | | E | A1 | C-341412 |
| | | | | | NAME LOOSE PIECE PART POSITIVE LOCK RECEPTACLE MK II (2.0) | | |

PRINT DIST.