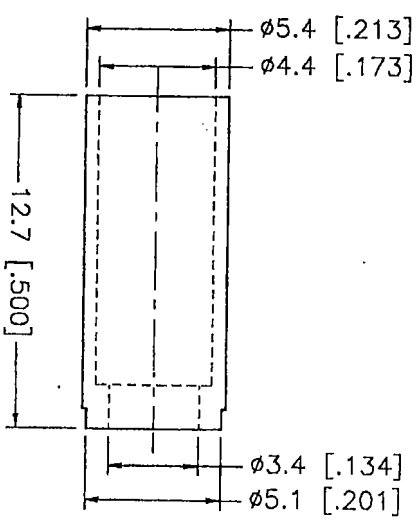
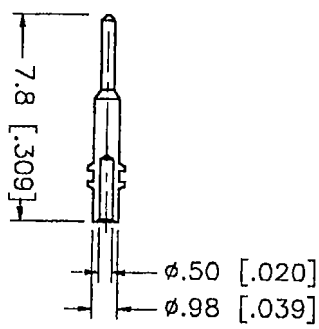
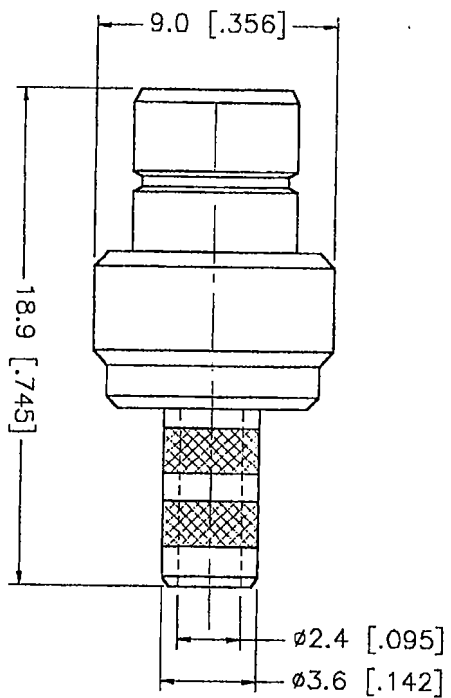
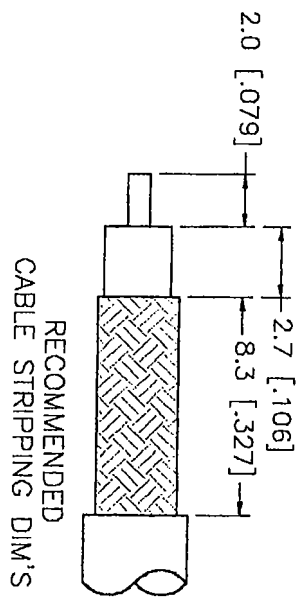


REV.	DATE	DESCRIPTION
NC	05/14/98	INITIAL RELEASE



DESCRIPTION	MATERIAL	FINISH	UNLESS OTHERWISE SPECIFIED DIMENSIONS ARE IN MILLIMETERS FOR CUSTOMER REFERENCE ONLY	APPROVALS	DATE	TITLE	
1 BODY	BRASS	GOLD	UNLESS OTHERWISE SPECIFIED DIMENSIONS ARE IN MILLIMETERS FOR CUSTOMER REFERENCE ONLY UNLESS OTHERWISE SPECIFIED DIMENSIONS FOR MILLIMETERS ARE: 0.5-6 = ± 0.2 6-30 = ± 0.4 30-120 = ± 0.6 120-315 = ± 1 315-1000 = ± 1.6 1000-2000 = ± 2.4	DRAWN	G.R.S.	05/14/98	SMB CRIMP JACK (FOR AT&T 735A CABLE - 75 ohm)
2 INSULATOR	TEFLON	NATURAL		CHECKED			
3 CONTACT PIN	BER. COPPER	GOLD		ISSUED			
4 FERRULE	BRASS	GOLD					
5							
6							
7							
8							



SMB CRIMP JACK
(FOR AT&T 735A CABLE - 75 ohm)

SCALE	NA	PART NO.	142216	SHEET	1 OF 1
SIZE	A	DRG. NO.	99001	REV.	NC