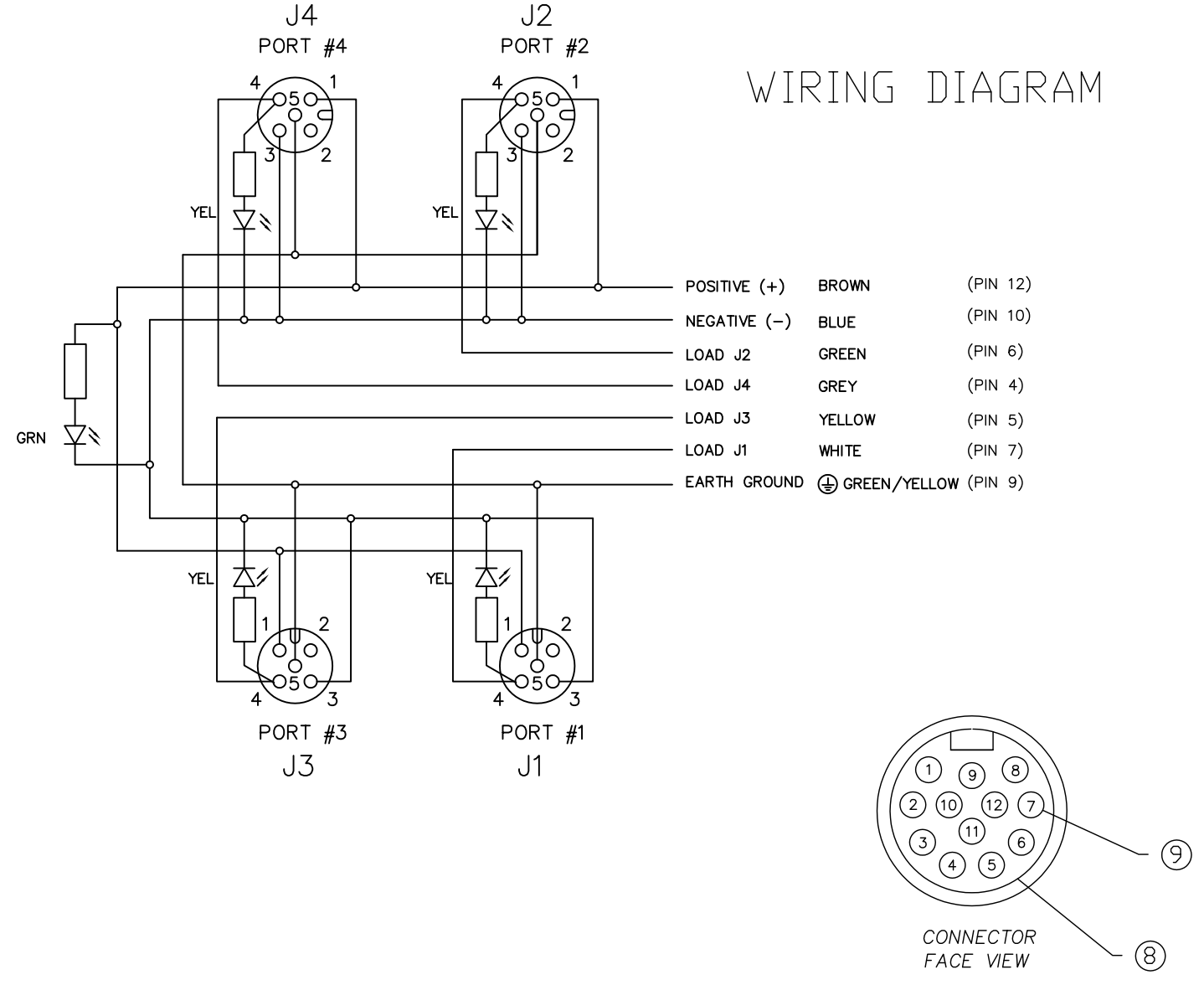
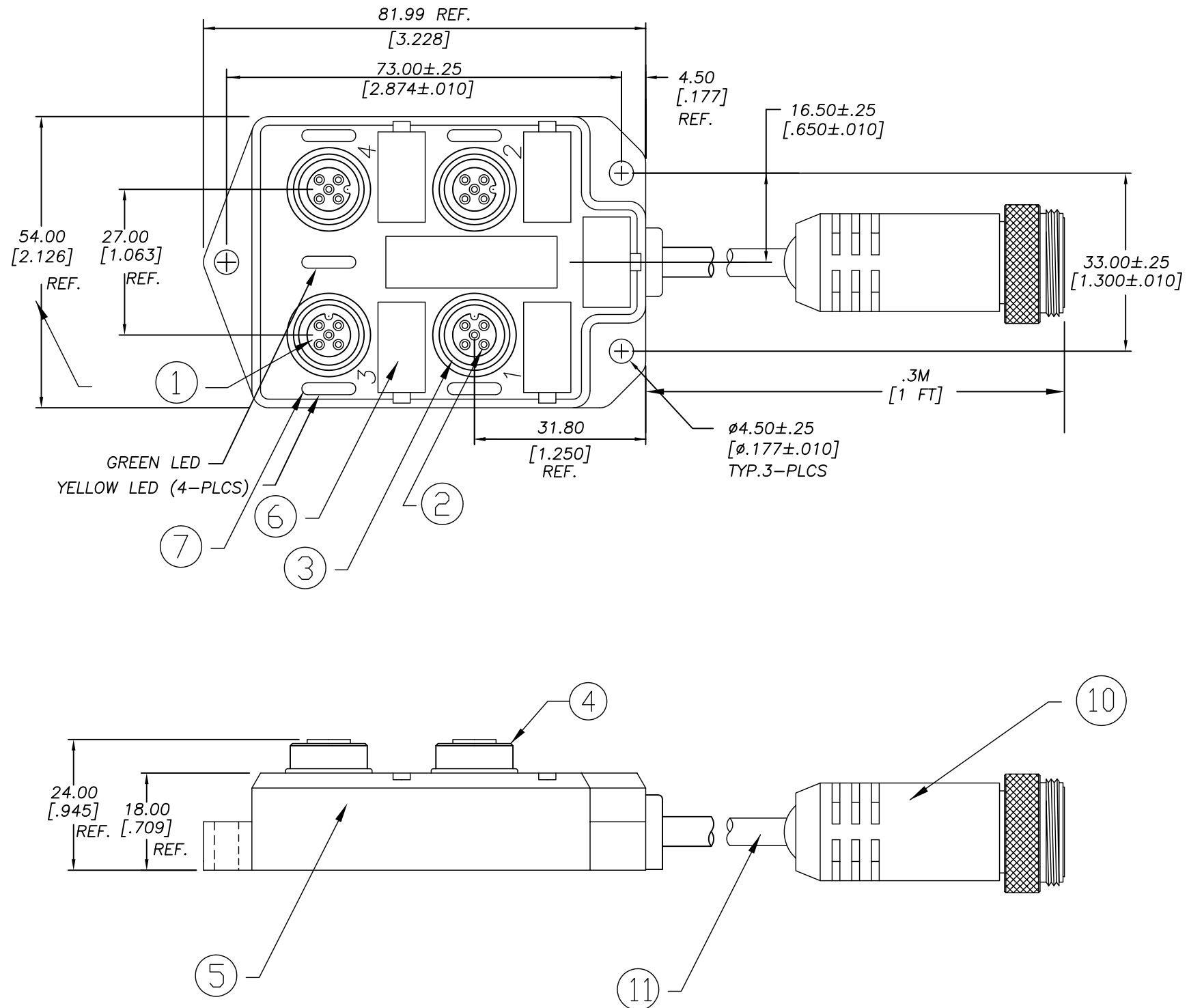


13	12	11	10	9	8	7	6	5	4	3	2	1
MATERIAL NUMBER	OLD PART NUMBER											
1201140053	BTY497P-FBP											



NUMBERS IN BRACKETS ARE FOR NUMBERED CORED CABLE

ITEM	MATERIAL	FINISH
1	INSERT	NYLON
2	CONTACT SOCKET	COPPER ALLOY
3	O-RING	VITON
4	RECEPTACLE SHELL	BRASS
5	HOUSING	PBT
6	LABEL	ABS
7	LENS	NYLON
8	INSERT	PVC
9	CONTACT PIN	COPPER ALLOY
10	RECEPTACLE SHELL	BRASS
11	CABLE 18AWG, 3 CONDUCTOR + 22AWG 8 CONDUCTOR, 300V, HIGH FLEX	---

VOLTAGE RATING	10-30 VDC
AMPERAGE RATING PER PORT	4 AMPS
PROTECTION	IP67
OPERATING TEMPERATURE	-20°C TO 90°C
UL CERTIFICATIONS	UL RECOGNIZED, FILE NO. E46237
CSA CERTIFICATIONS	CSA CERTIFIED, FILE NO. LR6837

ADD 2 PINS TO TABLE EC NO: WEU2010-0441 DRWN: BBRAUCH 2010/03/17 CH'KD: FP APPR: FPACHER 2010/03/19	DESCRIPTION REV 1	QUALITY SYMBOL ▽=0 ◁=0	GENERAL TOLERANCES (UNLESS SPECIFIED) <table border="1"> <tr> <td></td> <td>mm</td> <td>INCH</td> </tr> <tr> <td>4 PLACES</td> <td>±---</td> <td>±---</td> </tr> <tr> <td>3 PLACES</td> <td>±---</td> <td>±---</td> </tr> <tr> <td>2 PLACES</td> <td>±---</td> <td>±.01</td> </tr> <tr> <td>1 PLACE</td> <td>±0.3</td> <td>±---</td> </tr> </table>		mm	INCH	4 PLACES	±---	±---	3 PLACES	±---	±---	2 PLACES	±---	±.01	1 PLACE	±0.3	±---	DIMENSION STYLE IN/MM	SCALE 2:1 DESIGN UNITS METRIC THIRD ANGLE PROJECTION
			mm	INCH																
		4 PLACES	±---	±---																
		3 PLACES	±---	±---																
2 PLACES	±---	±.01																		
1 PLACE	±0.3	±---																		
		DRAWN BY BBRAUCH DATE 2010/03/17 CHECKED BY FP DATE 2010/03/17 APPROVED BY FPACHER DATE 2010/03/18	TITLE MICRO-CHANGE MPIS 4 PORT TOP MOUNT PNP #18/3 + #22/8 CABLE MOLEX INCORPORATED																	
		MATERIAL NO. SEE CHART DOCUMENT NO. SD-120114-064 SHEET NO. 1 OF 1																		
		DRAFT WHERE APPLICABLE MUST REMAIN WITHIN DIMENSIONS	THIS DRAWING CONTAINS INFORMATION THAT IS PROPRIETARY TO MOLEX INCORPORATED AND SHOULD NOT BE USED WITHOUT WRITTEN PERMISSION																	