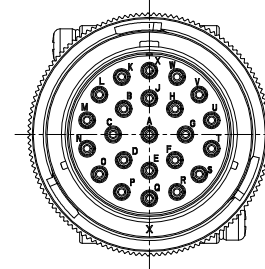
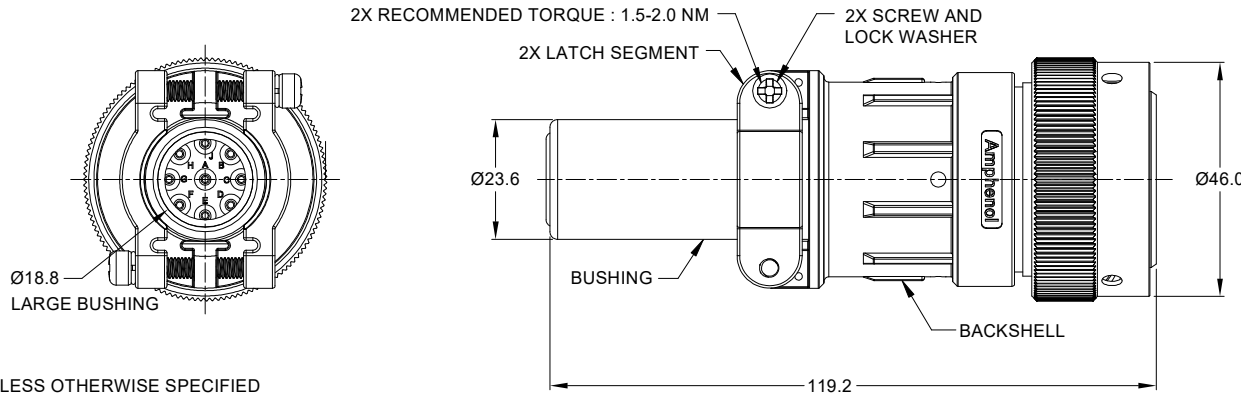
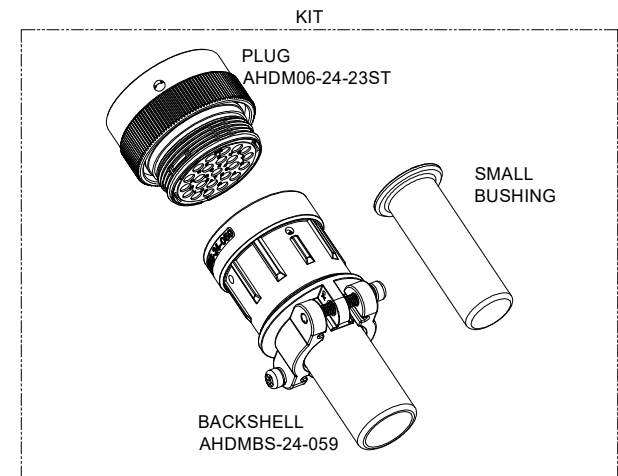
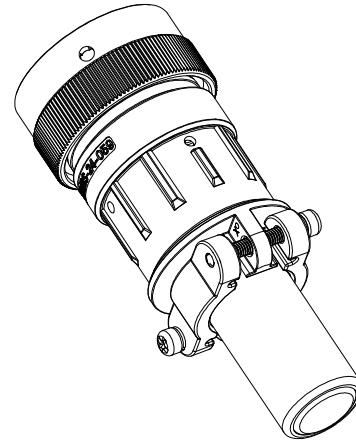


REVISIONS					
REV	ECO	DESCRIPTION	DATE	BY	APPR
A1	-	RELEASE NEW DRAWING	01/MAR/23	MILO	TOMMY



NOTES: UNLESS OTHERWISE SPECIFIED

- PLUG MATERIAL:
 - SHELL: ZINC ALLOY, NICKEL PLATED
 - COUPLING RING: ALUMINIUM ALLOY, ANODIZE
 - INSERT AND RETAINING RING: THERMOPLASTIC
 - SEAL: SILICONE RUBBER
- BACKSHELL MATERIAL:
 - SHELL: ALUMINIUM ALLOY, NICKEL PLATED;
 - LATCH SEGMENT: ALUMINIUM ALLOY, NICKEL PLATED;
 - SCREW AND LOCK WASHER: STAINLESS STEEL;
 - BUSHING: EPDM.
- SPECIFICATIONS:
 - 3.1 OPERATING TEMPERATURE: -55°C TO +125°C.
 - 3.2 DIELECTRIC WITHSTANDING VOLTAGE: LESS THAN 2 MILLIAMPS CURRENT LEAKAGE @ 1500 VOLTS AC.
 - 3.3 INSULATION RESISTANCE: 1000 MEGOHM MIN @ 25°C.
 - 3.4 MOISTURE RESISTANCE:
 - IP68(IM OF WATER FOR A PERIOD OF 24 HOURS,MATED CONDITION);
 - IP69K(MATED CONDITION).
 - 3.5 MATING CYCLE DURABILITY: 100 CYCLES
 - 3.6 RoHS COMPLIANT
- APPLY TO CABLE OD SIZE: Ø11.20-Ø24.08 . CAN BE USED:
 - 4.1 WITH LARGE AND SMALL BUSHINGS IN PLACE.
 - 4.2 WITH ONLY LARGE BUSHING IN PLACE.
 - 4.3 WITH BOTH BUSHINGS REMOVED.
- ALL DIMENSIONS ARE FOR REFERENCE USE ONLY.
- SEE SPECIFIC PLUG DRAWING FOR:
 - 6.1 CONTACT SIZE AND WIRE RANGE.
 - 6.2 RETAINING RING COLOR.
 - 6.3 MATING PART(S).
 - 6.4 CONTACT LAYOUT AND ALL OTHER SPECIFICATIONS.



QUANTITY	PART NUMBER	DESCRIPTION	ITEM
	AAHADM06-24-23ST-059	REF:HD36-24-23ST-059	
MATERIALS LIST			
UNLESS OTHERWISE SPECIFIED 1) All dimensions are in metric(mm). 2) Tolerances are as follows: 1 PL DEC ±0.30 2 PL DEC ±0.15 3 PL DEC ±0.08 Fractions ±1/64 Angles ±1° 3) Note reference =		SIGNATURES DATE DRAWN: MILO.DONG 01/MAR/23 CHECKED: SULLENZHANG 01/MAR/23 ENGINEER: APPROVAL: TOMMY.XIE 02/MAR/23 CUSTOMER:	 Sine Systems - www.amphenol-sine.com 44724 Morley Drive Clinton Township, MI 48036
MATERIAL SPECIFICATIONS: WEIGHT: 160.8g		THIS DRAWING IS SUPPLIED FOR INFORMATION ONLY. DESIGN FEATURES, SPECIFICATIONS AND PERFORMANCE DATA SHOWN HEREON ARE THE PROPERTY OF THE AMPHENOL CORPORATION. NO RIGHTS OF REPRODUCTION ARE IMPLIED. ALL DIMENSIONS ARE SUBJECT TO NORMAL MANUFACTURING VARIATIONS.	
PROCESS SPECIFICATIONS: NEXT ASSY:		23POS,PLUG, SOCKET,SZ24,THIN WIRE SEAL,KIT W/ CABLE CLAMP BACKSHELL	SCALE: NONE DURAMATE SHEET 1 OF 1
		SIZE TYPE DWG NO. REVISION B C- AHDM06-24-23ST-059 A1	

TITLE: 23POS,PLUG,SOCKET,SZ24,THIN WIRE SEAL,KIT W/ CABLE CLAMP BACKSHELL
 DWG NO.: AHDM06-24-23ST-059
 REV: A1
 SH: 1
 OF: 1