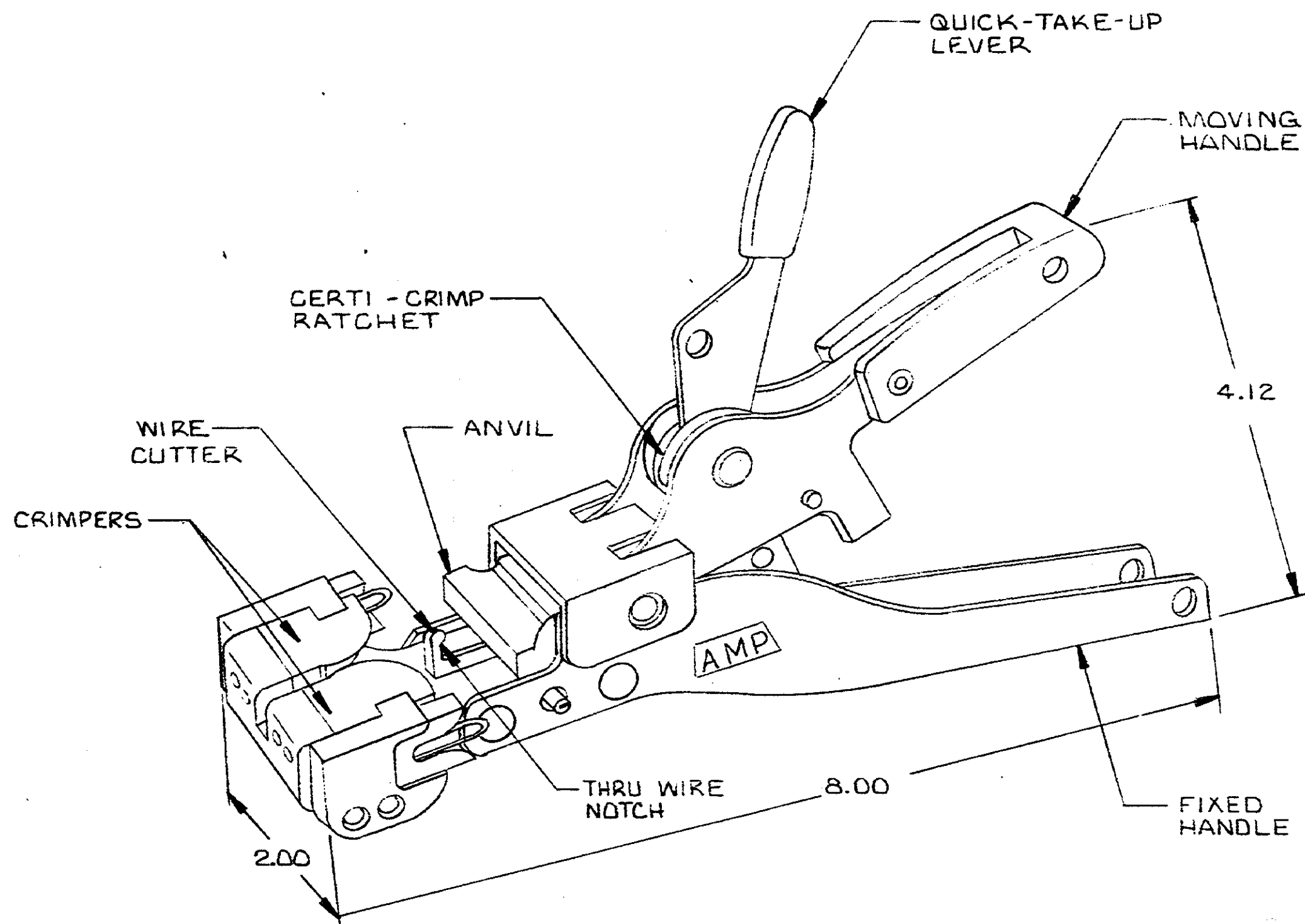
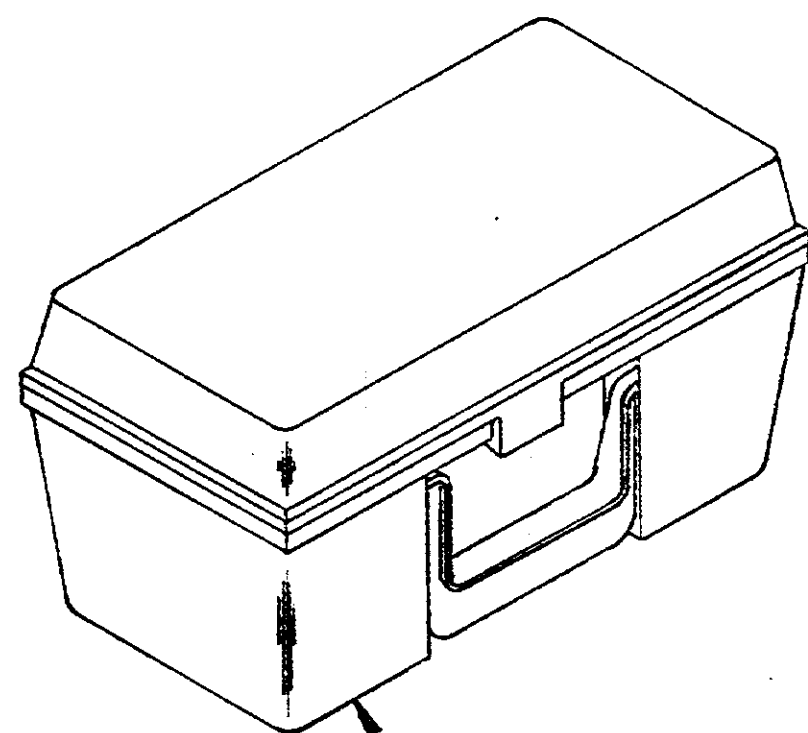


© COPYRIGHT 1980 BY AMP INCORPORATED, HARRISBURG, PA. ALL INTERNATIONAL RIGHTS RESERVED. AMP INCORPORATED PRODUCTS COVERED BY U. S. AND FOREIGN PATENTS AND/OR PATENTS PENDING.

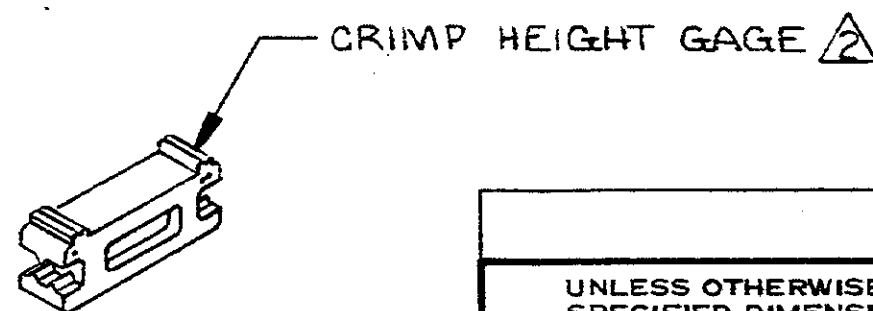
REVISIONS						
P	F	ZONE	LTR	DESCRIPTION	DATE	APPROVED
✓	✓	A		SUPSD -2, ECN AA-1660	5-4-82	KS mt



1. ALL DIMENSIONS ARE FOR REFERENCE ONLY UNLESS OTHERWISE SPECIFIED.  
 2. 45 INCHES OF BLACK NYLON CORD FURNISHED FOR CRIMP HEIGHT GAGE.



VS-3 CARRYING CASE



CRIMP HEIGHT GAGE

VS-3 STANDARD PICABOND WITH TOOL HOLDER	244271-5	
VS-3 MINI-PICABOND	244271-3	
SUPERSEDED BY VS-3 STANDARD PICABOND FOR MILITARY USE	244271-2	
244271-1	VS-3 STANDARD PICABOND	244271-1
DESCRIPTION	PART NO	

UNLESS OTHERWISE SPECIFIED DIMENSIONS ARE IN INCHES. TOLERANCES ON: DECIMALS ± # ANGLES ± #	CONTRACT NO	AMP   AMP INCORPORATED Harrisburg, Pa.		
	MATERIAL	DR <i>[Signature]</i> 11-11-80	NAME	
	FINISH	CHK <i>R. Krebs</i> 11/11/80	KIT, TOOL, HAND, VS-3	
		APPD <i>D. Debat</i> 11/11/80		
	APPD <i>C. Co</i> 11/11/80	SIZE	CODE IDENT NO	DRAWING NO
	OSGN APPD	C	00779	244271
	OTHER APPD	SCALE 1/1	SHEET 1 OF 1	

244271