

Technical Data Sheet

Model	T0005419
Description	A high gain omnidirectional antenna with vertical polarization and feed forward. Performance optimized in the 860-870 MHz frequency band.
Features	<ul style="list-style-type: none"> • Vertical polarization • Dipole radiation element



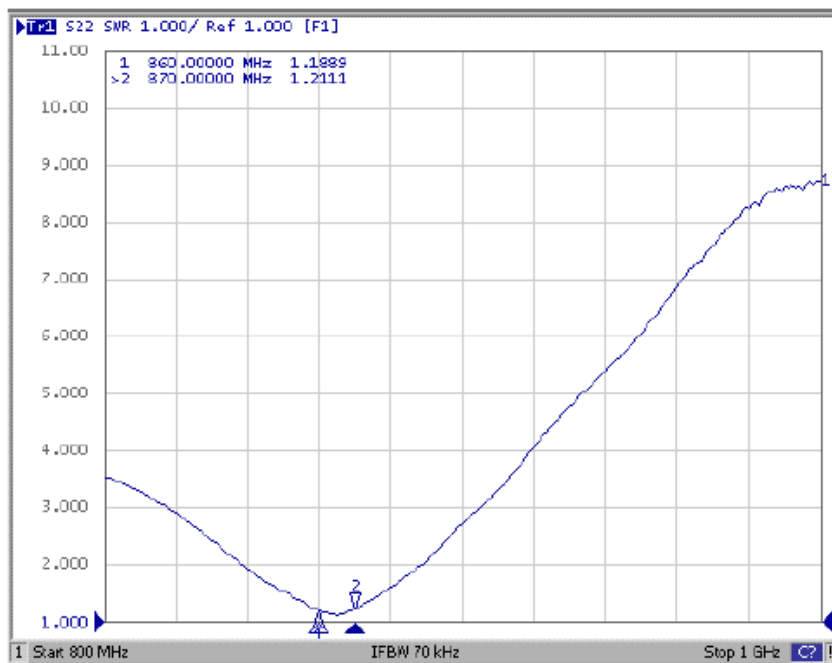
T0005419

Specifications

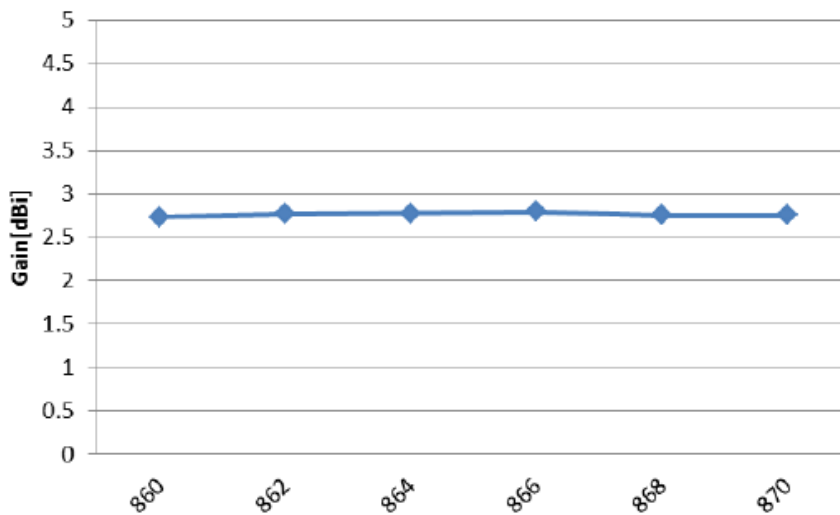
Frequency Range	860-870
Bandwidth	10
Polarization	Vertical
Number of channels	1
Gain	2.5
HPBW	360
Non-Circularity	±0.5
Imp dance	50

VSWR	≤1.5
Power	20
Size	Φ 24x850
Weight	≤0.25
Connector Type	N-J
Operating temperature	-40 to +70
Radome color	Gray

VSWR

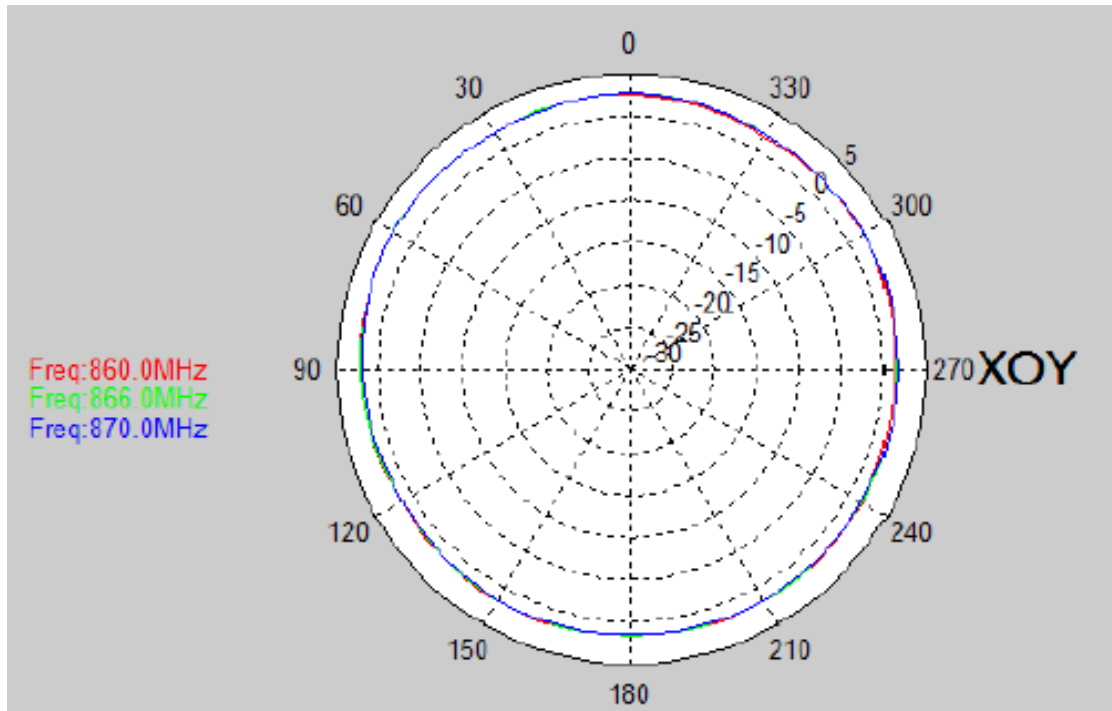


GAIN

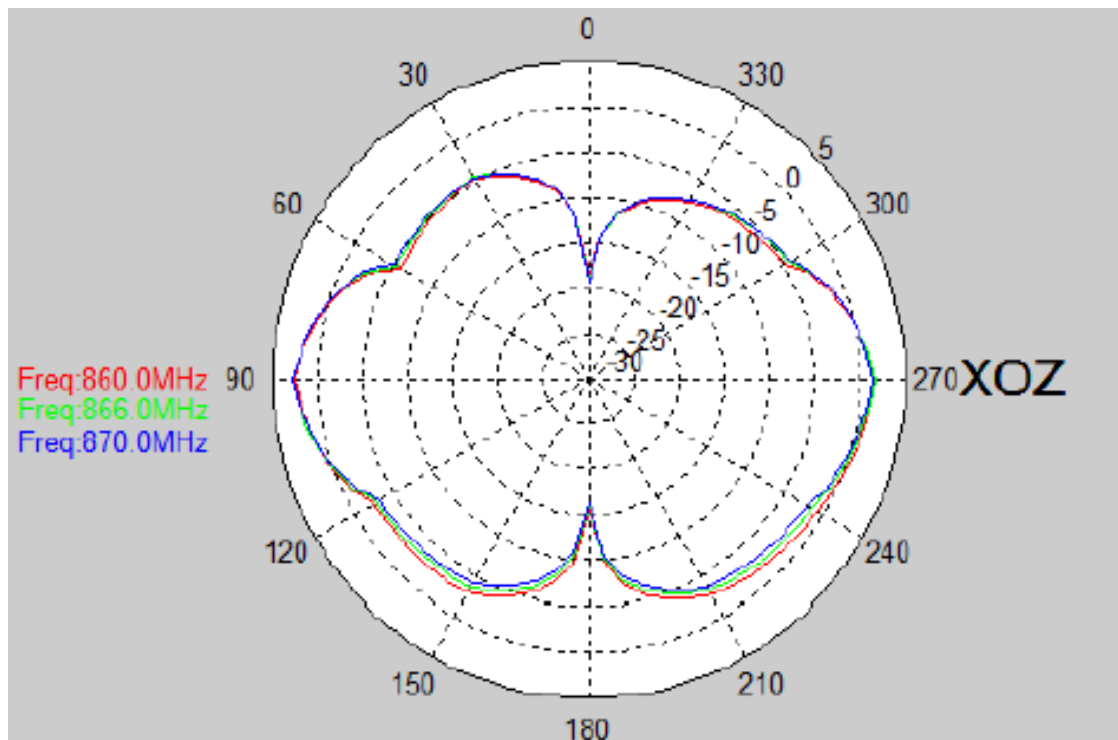


Radiation pattern

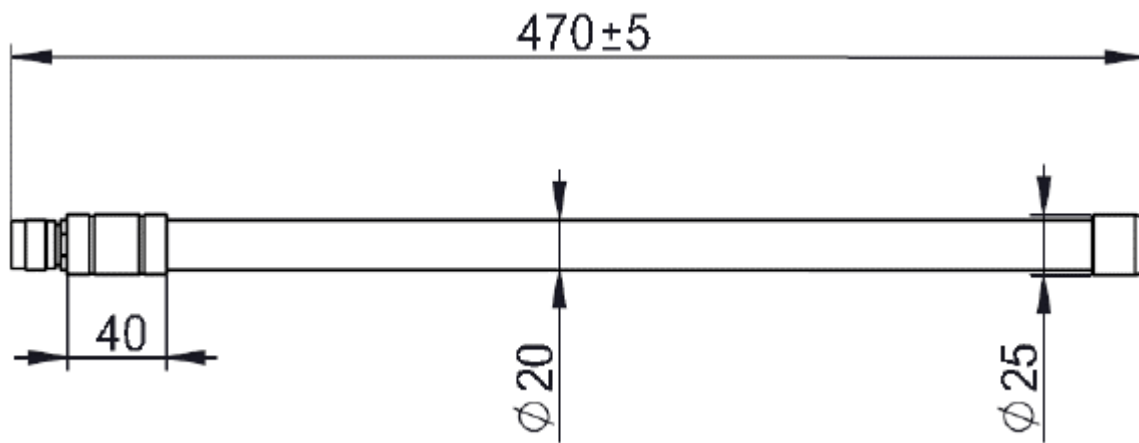
H-Plane



E-Plane



Dimension sketch



California Proposition 65

