

4

3

2

1

THIS DRAWING IS UNPUBLISHED. RELEASED FOR PUBLICATION
 © COPYRIGHT 2011 BY TYCO ELECTRONICS CORPORATION. ALL RIGHTS RESERVED.

LOC	DIST	REVISIONS			
P	LTR	DESCRIPTION	DATE	DWN	APVD
DW	/	REV PER ECO-14-017393	04AUG2014	L.L.	S.H.

NOTE:

- MATERIAL:
 - MJ HOUSING: PBT, WITH 30% GF, UL 94V-0, BLACK COLOR.
 - MJ CONTACTS: PHOSPHOR BRONZE.
 - MJ SHELL: BRASS.
 - USB HOUSING: PBT, WITH 30% GF, UL94V-0, BLACK COLOR.
 - USB CONTACTS: BRASS.
 - USB SHELL: SPCC.
- FINISH:
 - MJ CONTACTS: 0.762um [30u"] MIN. GOLD PLATED ON CONTACT AREA, GOLD FLASH ON SOLDER TAIL, 1.27um [50u"] MIN. NICKEL UNDERPLATED OVERALL.
 - MJ SHELL: 0.508um [20u"] MIN. NICKEL PLATED.
 - USB CONTACTS: 0.762um [30u"] MIN. GOLD PLATED ON CONTACT AREA, 2.54um [100u"] MIN. BRIGHT TIN PLATED ON SOLDER TAIL, 1.27um [50u"] MIN. NICKEL UNDERPLATED OVERALL.
 - USB SHELL: 2.032um [80u"] MIN. NICKEL PLATED.
- WAVE SOLDER CAPABLE TO 265°C PER TE SPE 109-202, CONDITION B.

DETAIL D
SCALE 2:1

DETAIL C
SCALE 2:1

RECOMMENDED PCB LAYOUT
 RECOMMENDED PCB THICKNESS: 1.6mm.
 TOLERANCE: ±0.05 (TOP VIEW)

1909119-1
PART NUMBER

THIS DRAWING IS A CONTROLLED DOCUMENT.

DIMENSIONS: mm	TOLERANCES UNLESS OTHERWISE SPECIFIED:
	0 PLC ± -
	1 PLC ± 0.3
	2 PLC ± 0.2
	3 PLC ± 0.15
	4 PLC ± -
	ANGLES ± 3'
MATERIAL SEE NOTE	FINISH SEE NOTE

DWN	B. HSING	08JUN2008
CHK	S. CHIEN	08JUN2008
APVD	W. KODAMA	08JUN2008
PRODUCT SPEC	108-57900	
APPLICATION SPEC	108-57900	
WEIGHT	14.19 GRAMS	
CUSTOMER DRAWING		

STE TE Connectivity

NAME
 MODULAR JACK CONNECTOR OVER USB CONNECTOR STACKED, DIP TYPE

SIZE	CAGE CODE	DRAWING NO	RESTRICTED TO
A3	00779	C=1909119	-
SCALE	SHEET	1 OF 6	REV C

1470-19 (1/08)

4

3

2

1

THIS DRAWING IS UNPUBLISHED. RELEASED FOR PUBLICATION
 © COPYRIGHT 2011 BY TYCO ELECTRONICS CORPORATION. ALL RIGHTS RESERVED.

LOC	DIST	REVISIONS			
P	LTR	DESCRIPTION	DATE	DWN	APVD
DW		SEE SHEET 1.			

D

D

C

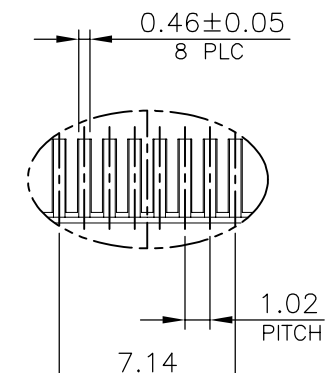
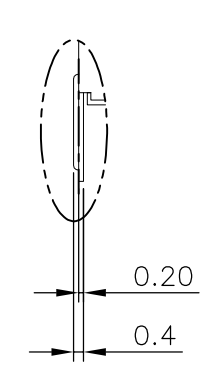
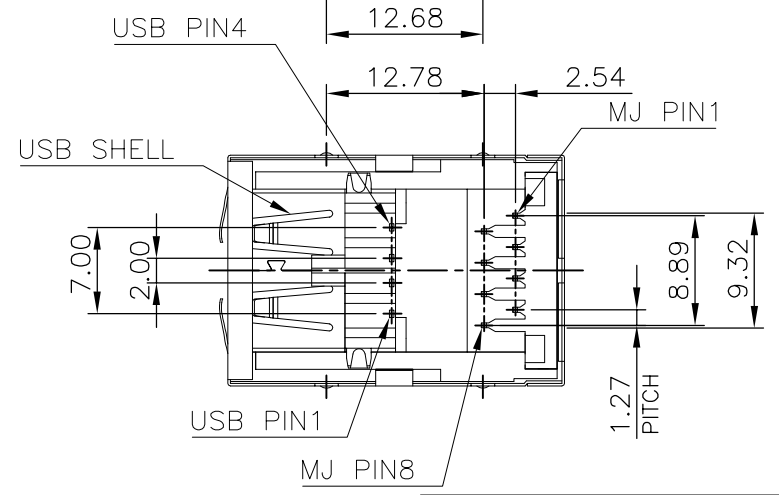
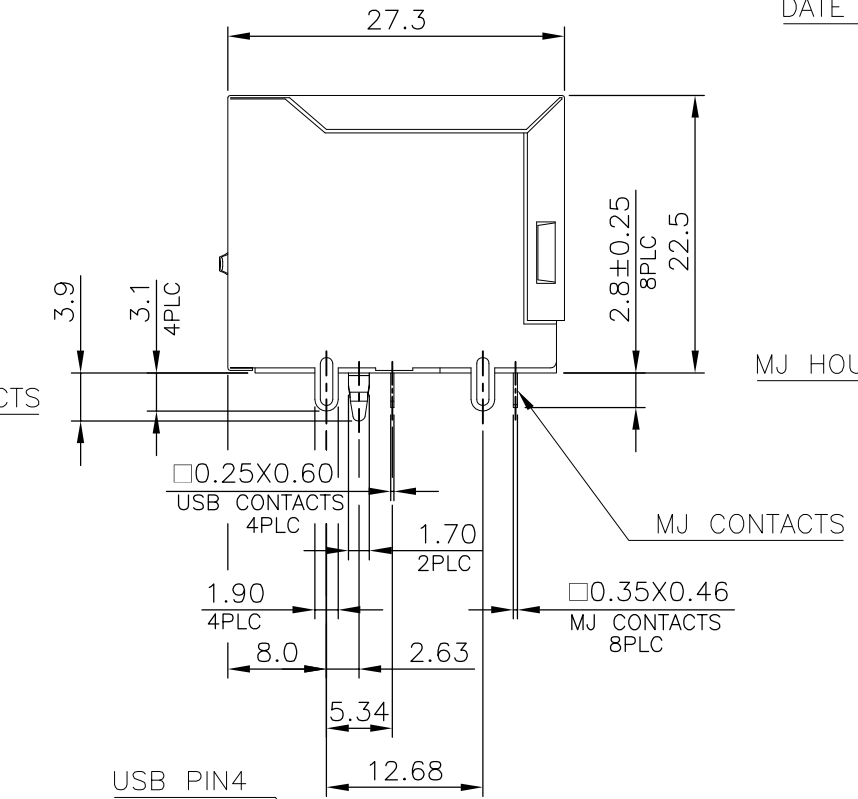
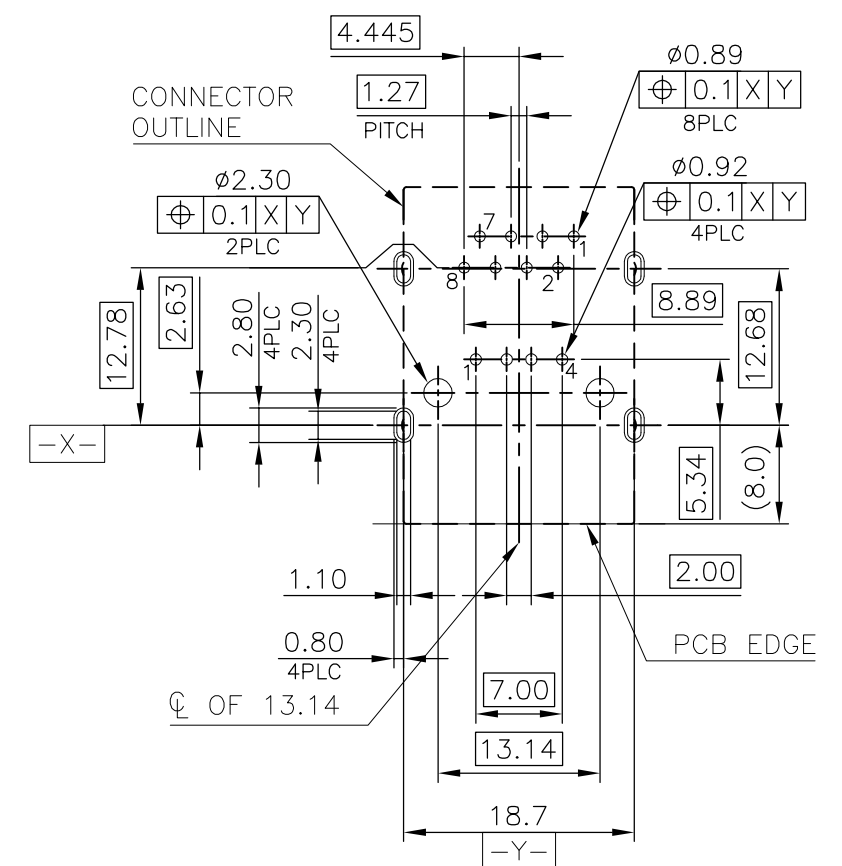
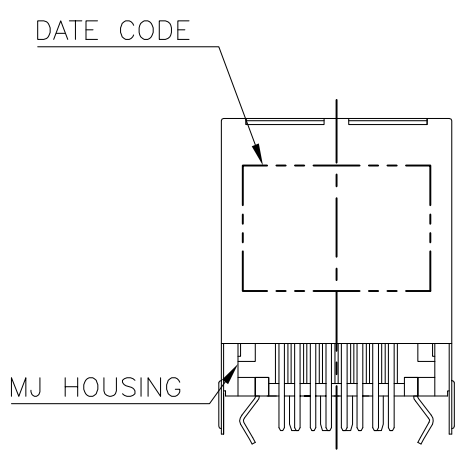
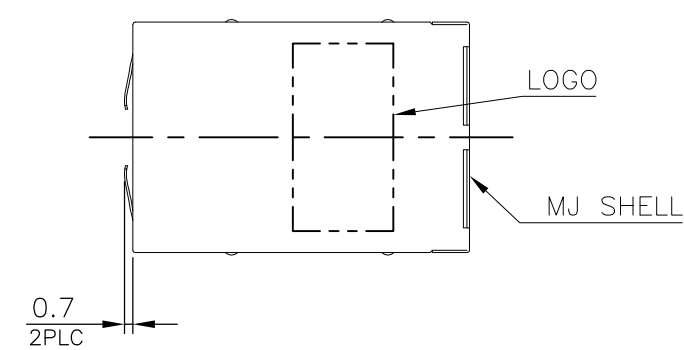
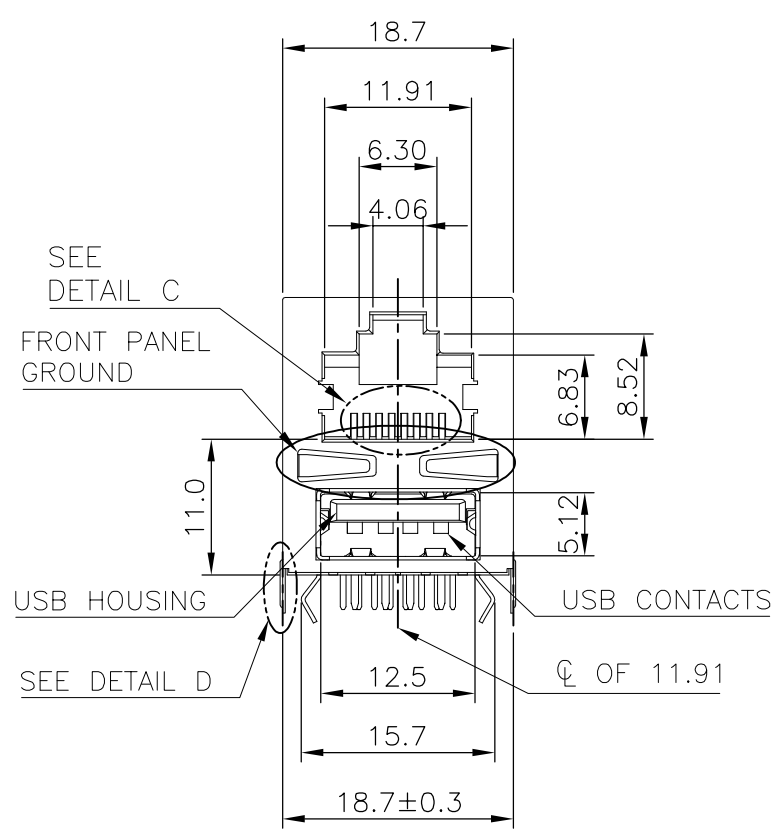
C

B

B

A

A

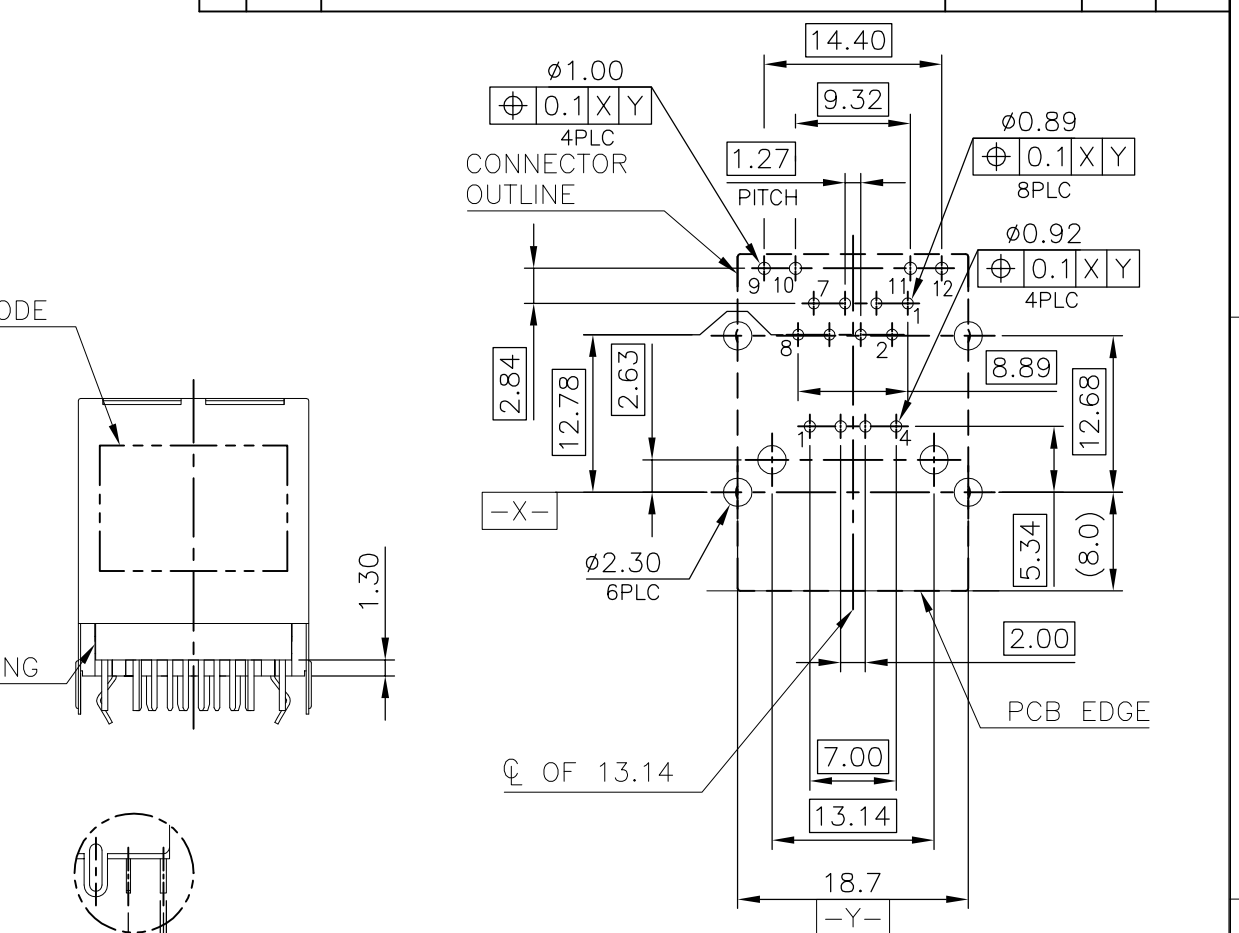
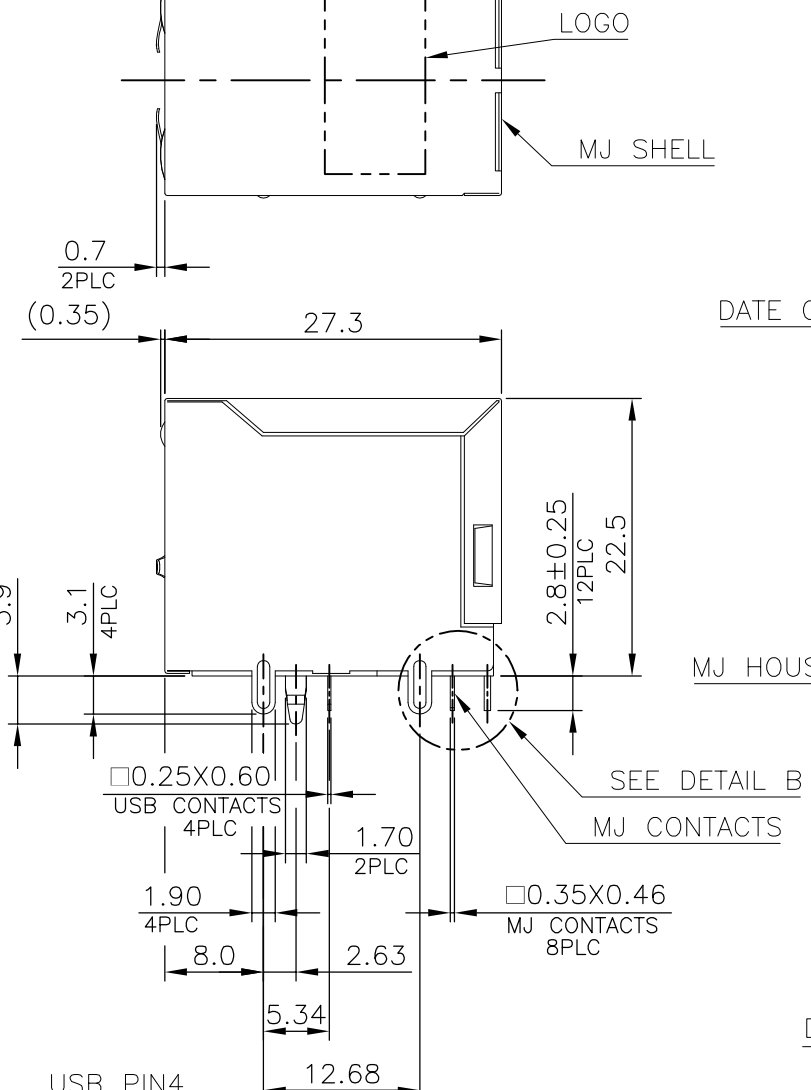
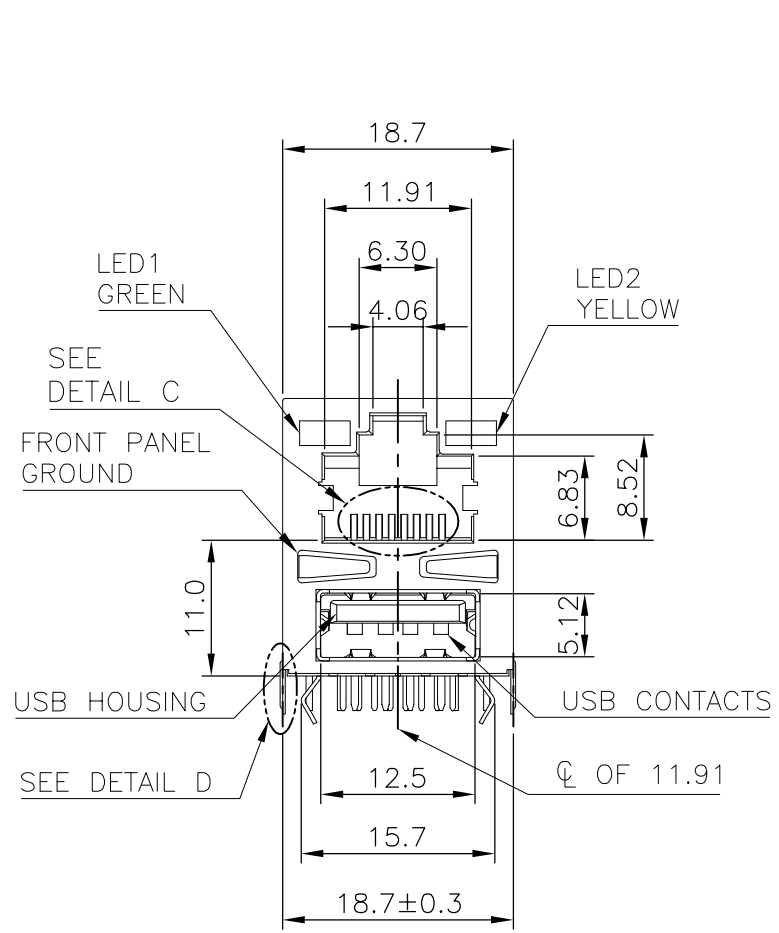


RECOMMENDED PCB LAYOUT
 RECOMMENDED PCB THICKNESS: 1.6mm.
 TOLERANCE: ±0.05 (TOP VIEW)

1909119-4
 PART NUMBER

THIS DRAWING IS A CONTROLLED DOCUMENT.		DWN	TE Connectivity		
DIMENSIONS: mm		CHK	NAME		
TOLERANCES UNLESS OTHERWISE SPECIFIED:		APVD	MODULAR JACK CONNECTOR OVER USB CONNECTOR STACKED, DIP TYPE		
0 PLC ± -		PRODUCT SPEC	SIZE	CAGE CODE	DRAWING NO
1 PLC ± 0.3		APPLICATION SPEC	A3	00779	C-1909119
2 PLC ± 0.2			RESTRICTED TO		
3 PLC ± 0.15		WEIGHT	-		
4 PLC ± -		12.09 GRAMS	SCALE		
ANGLES ± 3'			SHEET		
MATERIAL	FINISH	CUSTOMER DRAWING	2 OF 6		
SEE NOTE	SEE NOTE		REV C		

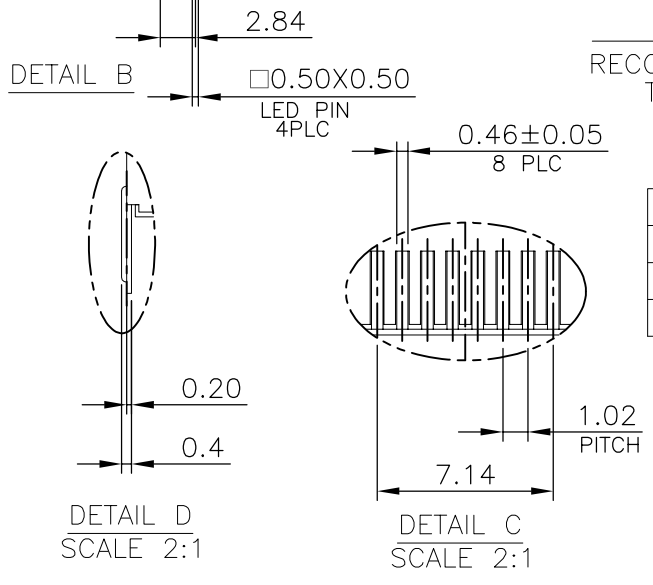
LOC	DIST	REVISIONS			
P	LTR	DESCRIPTION	DATE	DWN	APVD
DW		SEE SHEET 1.			



- NOTE:
- MATERIAL:
 - MJ HOUSING & LED COVER: PBT, WITH 30% GF, UL 94V-0, BLACK COLOR.
 - MJ CONTACTS: PHOSPHOR BRONZE.
 - MJ SHELL: BRASS.
 - LED SOLDER TAIL: EPOXY, STEEL.
 - USB HOUSING: PBT, WITH 30% GF, UL94V-0, BLACK COLOR.
 - USB CONTACTS: BRASS.
 - USB SHELL: SPCC.
 - FINISH:
 - MJ CONTACTS: GOLD FLASH PLATED ON CONTACT AREA, GOLD FLASH ON SOLDER TAIL, 1.27um [50u"] MIN. NICKEL UNDERPLATED OVERALL.
 - MJ SHELL: 0.508um [20u"] MIN. NICKEL PLATED.
 - LED SOLDER TAIL: 1.02um [40u"] COPPER UNDERPLATED OVERALL. 1.27um [50u"] NICKEL OVERALL. 1.27um [50u"] SILVER ON BONDING AREA. 2.54um [100u"] BRIGHT-TIN ON SOLDER AREA.
 - USB CONTACTS: 0.762um [30u"] MIN. GOLD PLATED ON CONTACT AREA, 2.54um [100u"] MIN. BRIGHT TIN PLATED ON SOLDER TAIL, 1.27um [50u"] MIN. NICKEL UNDERPLATED OVERALL.
 - USB SHELL: 2.032um [80u"] MIN. NICKEL PLATED.
 - WAVE SOLDER CAPABLE TO 265°C PER TE SPE 109-202, CONDITION B.

RECOMMENDED PCB LAYOUT
 RECOMMENDED PCB THICKNESS: 1.6mm.
 TOLERANCE: ±0.05 (TOP VIEW)

LED ELECTRICAL CHARACTERISTIC			
NO.	NODE	COLOR	TEST
LED1	9(+)	10(-)	GREEN 9- ∇ -10
LED2	11(+)	12(-)	YELLOW 11- ∇ -12

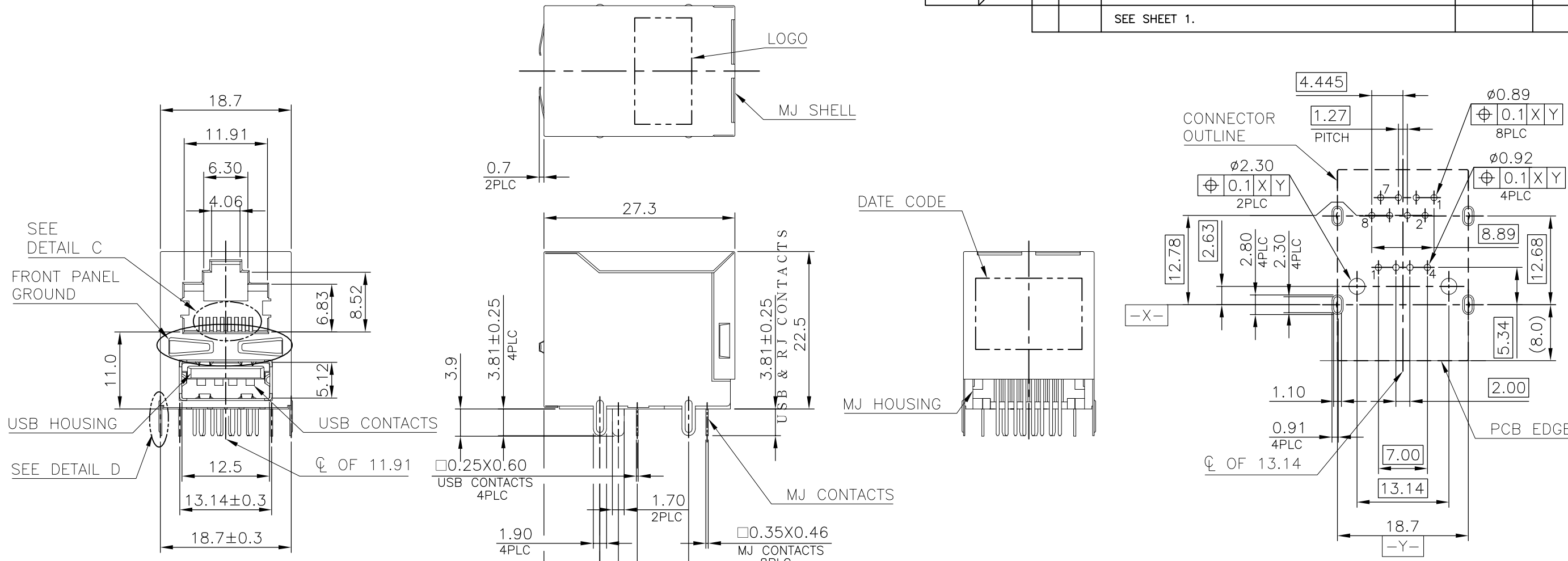


1-1909119-4
 PART NUMBER

THIS DRAWING IS A CONTROLLED DOCUMENT.

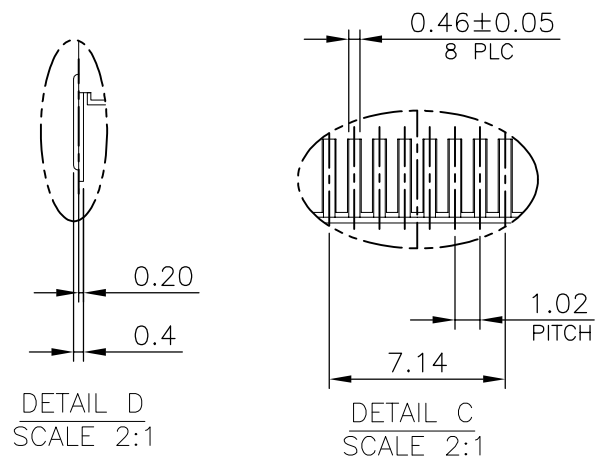
DIMENSIONS: mm	TOLERANCES UNLESS OTHERWISE SPECIFIED:	DWN	TE Connectivity NAME MODULAR JACK CONNECTOR OVER USB CONNECTOR STACKED, DIP TYPE
	0 PLC ± - 1 PLC ± 0.3 2 PLC ± 0.2 3 PLC ± 0.15 4 PLC ± - ANGLES ± 3°	CHK	
MATERIAL SEE NOTE	FINISH SEE NOTE	APVD	SIZE
		PRODUCT SPEC	CAGE CODE
		APPLICATION SPEC	DRAWING NO
		WEIGHT 13.06 GRAMS	RESTRICTED TO
		CUSTOMER DRAWING	A300779
		SCALE	DRAWING NO C-1909119
		SHEET 3 OF 6	REV C

LOC	DIST	REVISIONS			
P	LTR	DESCRIPTION	DATE	DWN	APVD
DW		SEE SHEET 1.			



RECOMMENDED PCB LAYOUT
 RECOMMENDED PCB THICKNESS: 3.0mm.
 TOLERANCE: ±0.05 (TOP VIEW)

- NOTE:
- MATERIAL:
 - MJ HOUSING: PA9T, WITH 30% GF, UL 94V-0, BLACK COLOR.
 - MJ CONTACTS: PHOSPHOR BRONZE.
 - MJ SHELL: BRASS.
 - USB HOUSING: PA9T, WITH 30% GF, UL94V-0, BLACK COLOR.
 - USB CONTACTS: BRASS.
 - USB SHELL: SPCC.
 - FINISH:
 - MJ CONTACTS: GOLD FLASH PLATED ON CONTACT AREA, GOLD FLASH ON SOLDER TAIL, 1.27um [50u"] MIN. NICKEL UNDERPLATED OVERALL.
 - MJ SHELL: 0.508um [20u"] MIN. NICKEL PLATED.
 - USB CONTACTS: 0.762um [30u"] MIN. GOLD PLATED ON CONTACT AREA, 2.54um [100u"] MIN. BRIGHT TIN PLATED ON SOLDER TAIL, 1.27um [50u"] MIN. NICKEL UNDERPLATED OVERALL.
 - USB SHELL: 2.032um [80u"] MIN. NICKEL PLATED.
 - REFLOW SOLDER CAPABLE TO 260°C PER TE SPEC 109-201, CONDITION A.



2-1909119-4
 PART NUMBER

THIS DRAWING IS A CONTROLLED DOCUMENT.		DWN		TE Connectivity	
DIMENSIONS: mm		CHK			
TOLERANCES UNLESS OTHERWISE SPECIFIED:		APVD		NAME	
0 PLC ± - 1 PLC ± 0.3 2 PLC ± 0.2 3 PLC ± 0.15 4 PLC ± - ANGLES ± 3°		PRODUCT SPEC		MODULAR JACK CONNECTOR OVER USB CONNECTOR STACKED, DIP TYPE	
MATERIAL SEE NOTE		FINISH SEE NOTE		APPLICATION SPEC	
		WEIGHT 13.06 GRAMS		SIZE A3	CAGE CODE 00779
		CUSTOMER DRAWING		DRAWING NO. C-1909119	RESTRICTED TO
		SCALE		SHEET 4 OF 6	REV C

4

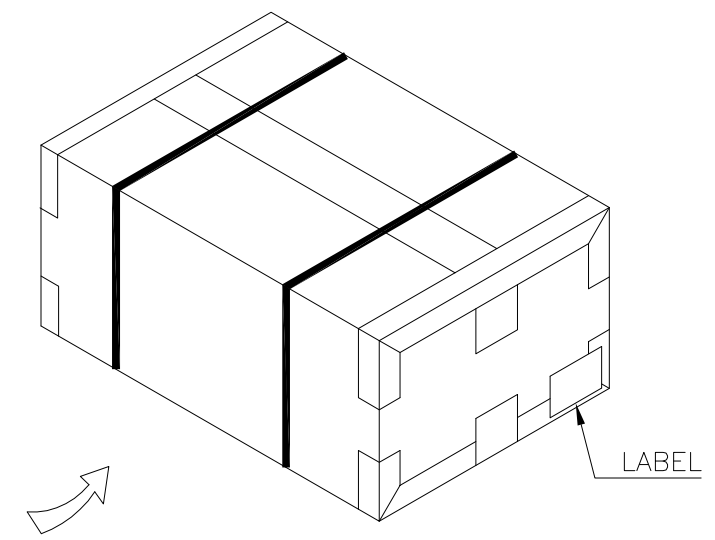
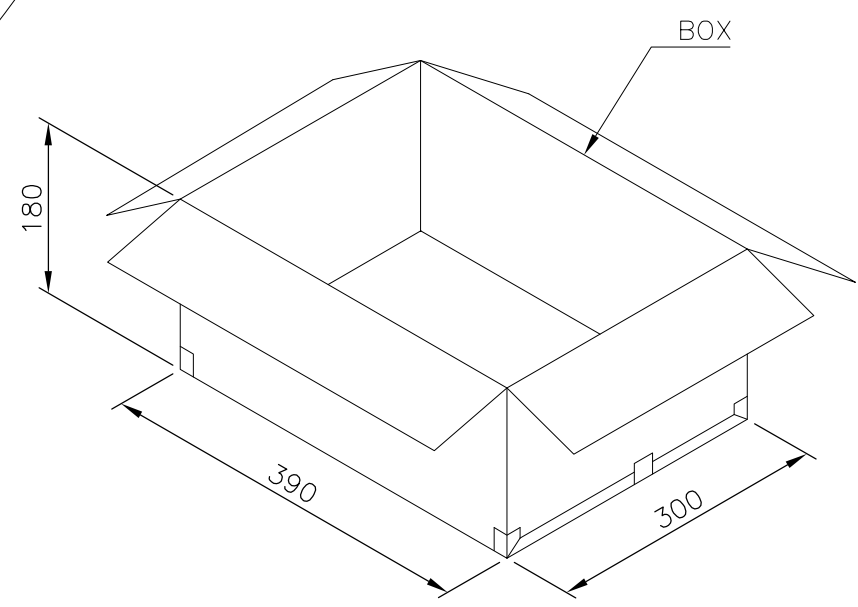
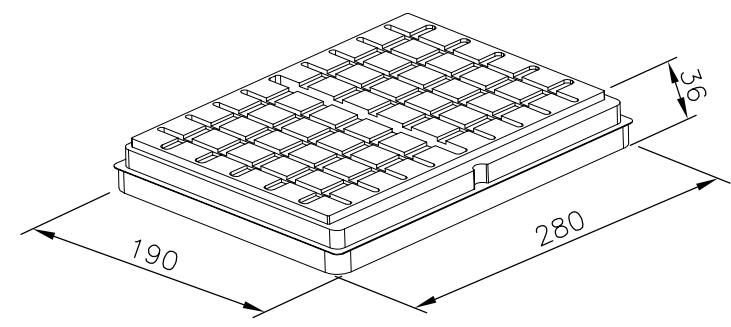
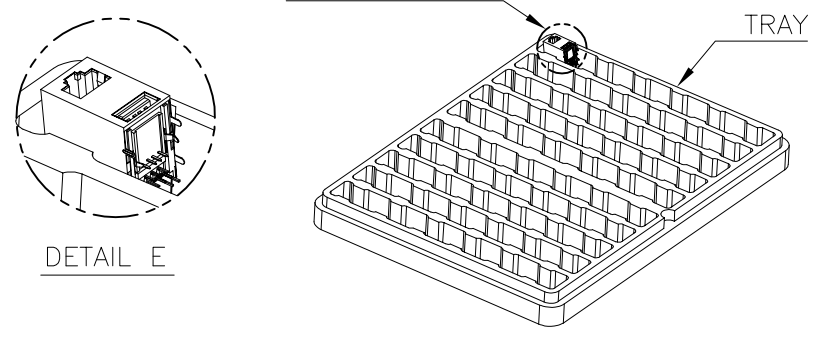
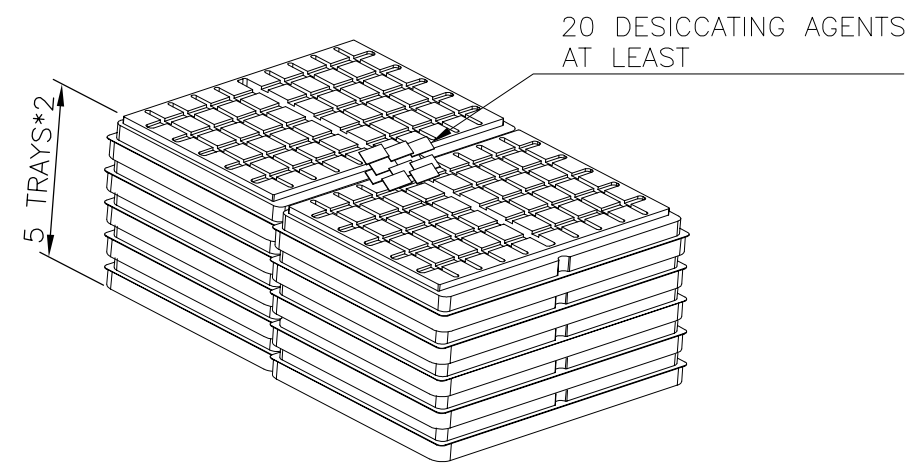
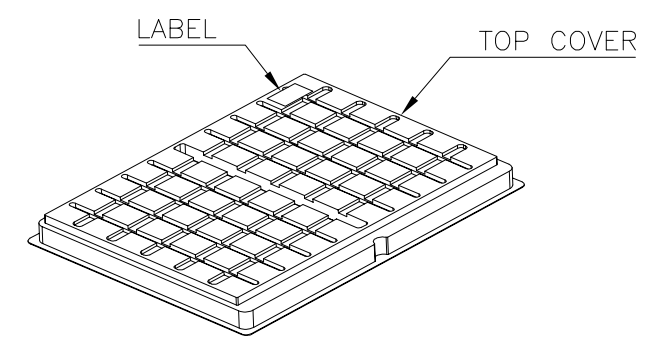
3

2

1

THIS DRAWING IS UNPUBLISHED. RELEASED FOR PUBLICATION
 © COPYRIGHT 2011 BY TYCO ELECTRONICS CORPORATION. ALL RIGHTS RESERVED.

LOC	DIST	REVISIONS			
P	LTR	DESCRIPTION	DATE	DWN	APVD
DW		SEE SHEET 1.			



9.10KG	7.10KG	50	10	500	1909119-1
GROSS WEIGHT	NET WEIGHT	PCS/TRAY	TRAY/BOX	PCS/BOX	PART NUMBER

NOTE:
 1. MATERIAL:
 1.1 TRAY & TOP COVER: PET.
 1.2 BOX: CORRUGATED PAPER.
 2. EACH BAG SHALL BE INCLUDED:
 *DESICCANT

THIS DRAWING IS A CONTROLLED DOCUMENT.		DWN	STE TE Connectivity		
DIMENSIONS: mm		CHK			
TOLERANCES UNLESS OTHERWISE SPECIFIED:		APVD	NAME		
0 PLC ± -		PRODUCT SPEC	MODULAR JACK CONNECTOR OVER USB CONNECTOR STACKED, DIP TYPE		
1 PLC ± 0.3		APPLICATION SPEC	SIZE	CAGE CODE	DRAWING NO
2 PLC ± 0.2		WEIGHT	A3	00779	C-1909119
3 PLC ± 0.15		CUSTOMER DRAWING	SCALE		SHEET
4 PLC ± -			-		5 of 6
ANGLES ± 3'			REV		C
MATERIAL	FINISH				

4

3

2

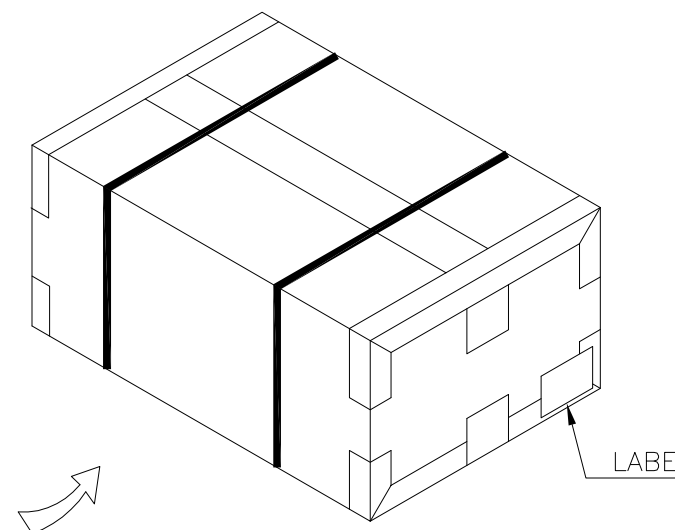
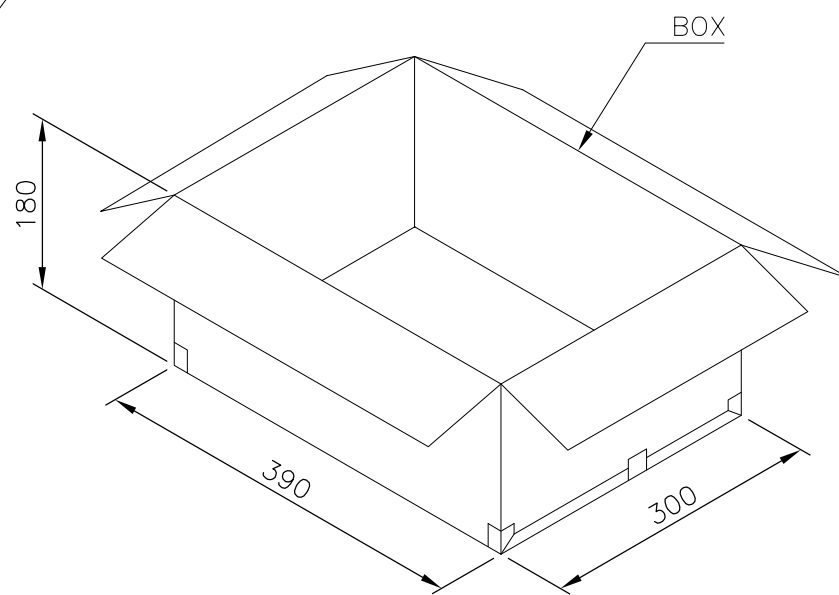
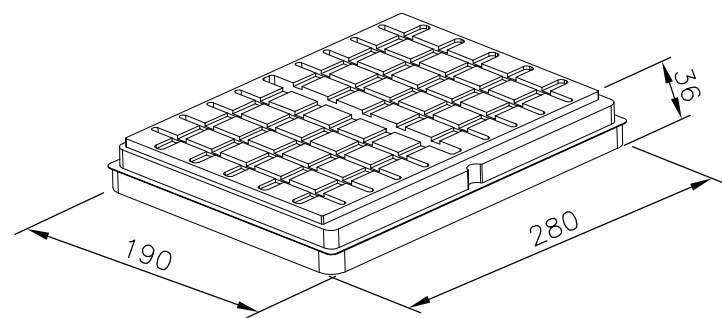
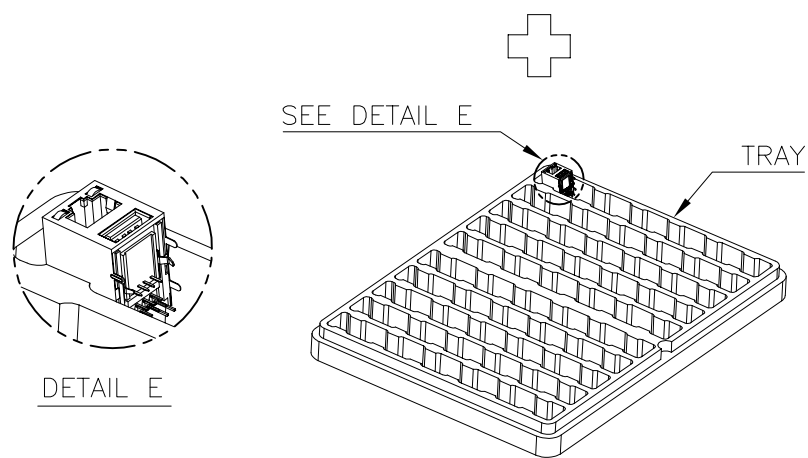
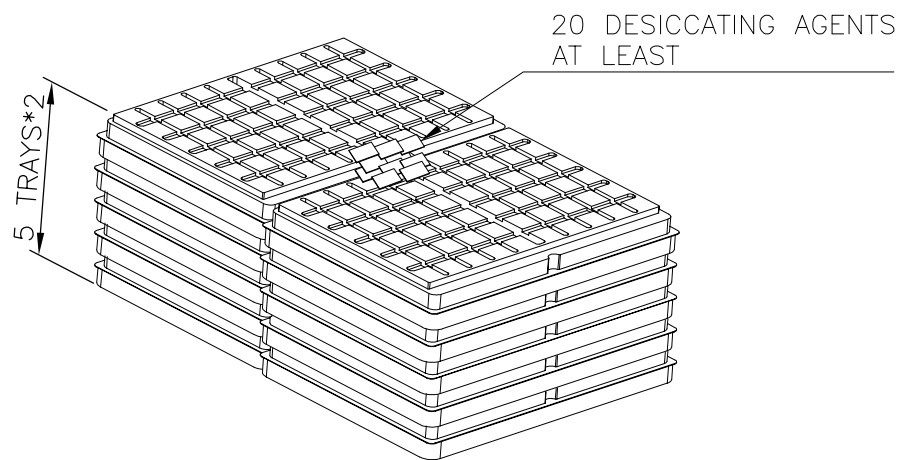
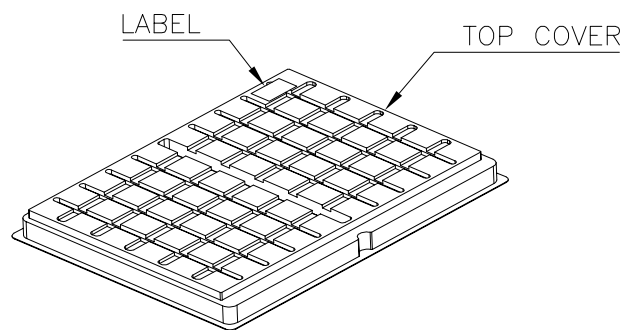
1

THIS DRAWING IS UNPUBLISHED.

RELEASED FOR PUBLICATION

© COPYRIGHT 2011 BY TYCO ELECTRONICS CORPORATION. ALL RIGHTS RESERVED.

LOC	DIST	REVISIONS				
P	LTR	DESCRIPTION	DATE	DWN	APVD	
		SEE SHEET 1.				



8.60 KG	6.55 KG	50	10	500	2-1909119-4
8.60 KG	6.55 KG	50	10	500	1-1909119-4
8.00 KG	6.05 KG	50	10	500	1909119-4
GROSS WEIGHT	NET WEIGHT	PCS/TRAY	TRAY/BOX	PCS/BOX	PART NUMBER

NOTE:

- MATERIAL:
 - 1.1 TRAY & TOP COVER: PET.
 - 1.2 BOX: CORRUGATED PAPER.
- EACH BAG SHALL BE INCLUDED:
 - *DESICCANT

DIMENSIONS:		TOLERANCES UNLESS OTHERWISE SPECIFIED:		APVD		NAME	
mm		0 PLC	± -	-		TE Connectivity	
		1 PLC	± 0.3	-		MODULAR JACK CONNECTOR OVER USB CONNECTOR STACKED, DIP TYPE	
		2 PLC	± 0.2	-		SIZE CAGE CODE DRAWING NO RESTRICTED TO	
		3 PLC	± 0.15	-		A3 00779 C-1909119	
		4 PLC	± -	-		SCALE SHEET 6 OF 6 REV C	
MATERIAL		FINISH		CUSTOMER DRAWING			