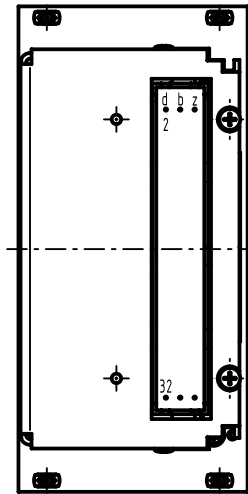
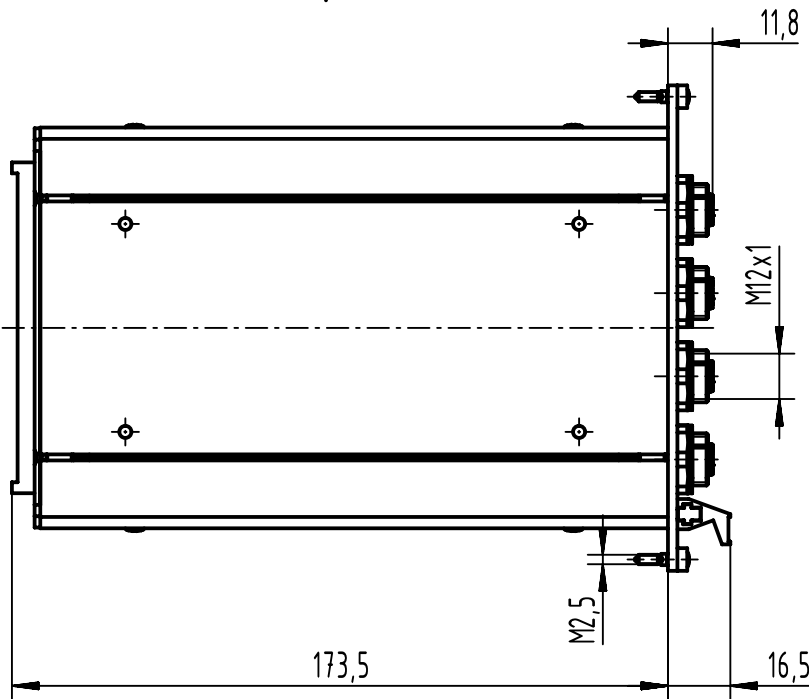
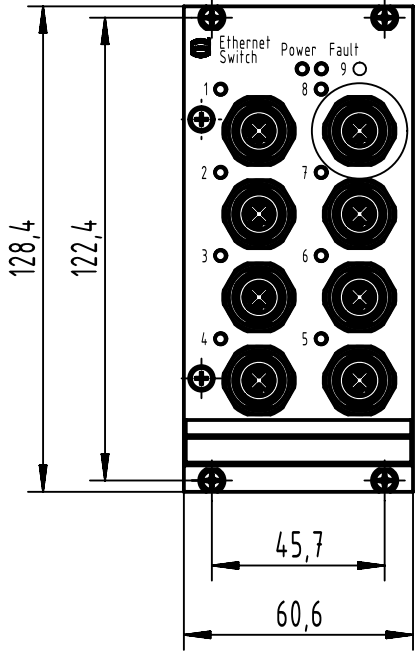
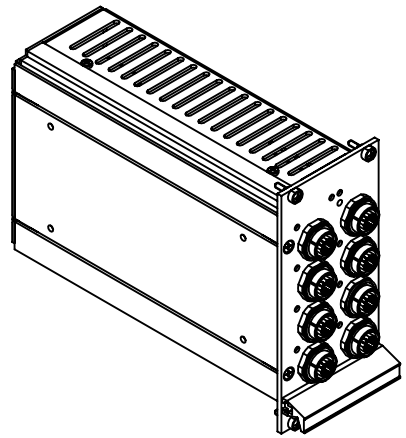
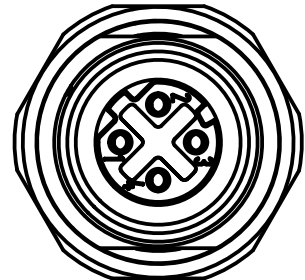


1 2 3 4 5 6

A
B
C
D



A (2:1)



	All rights reserved Department EL PD	Created by HOLLERT		Inspected by KLEINEM		Standardisation SAP_WFRT		Date 2022-03-02		State Final Release	
		Title Ha-VIS eCon 9080-B1								Doc-Key / ECM-Nr. 100183363/UGD/004/B 500000211661	
HARTING D-32339 Espelkamp		Type TB		Number 20 76 208 7003				Rev. B		Page 1/1	
All Dimensions in mm Original Size DIN A4			Scale 1:2		Free size tol.			Ref. Sub. TB 20762087003 v. 11.05.10			