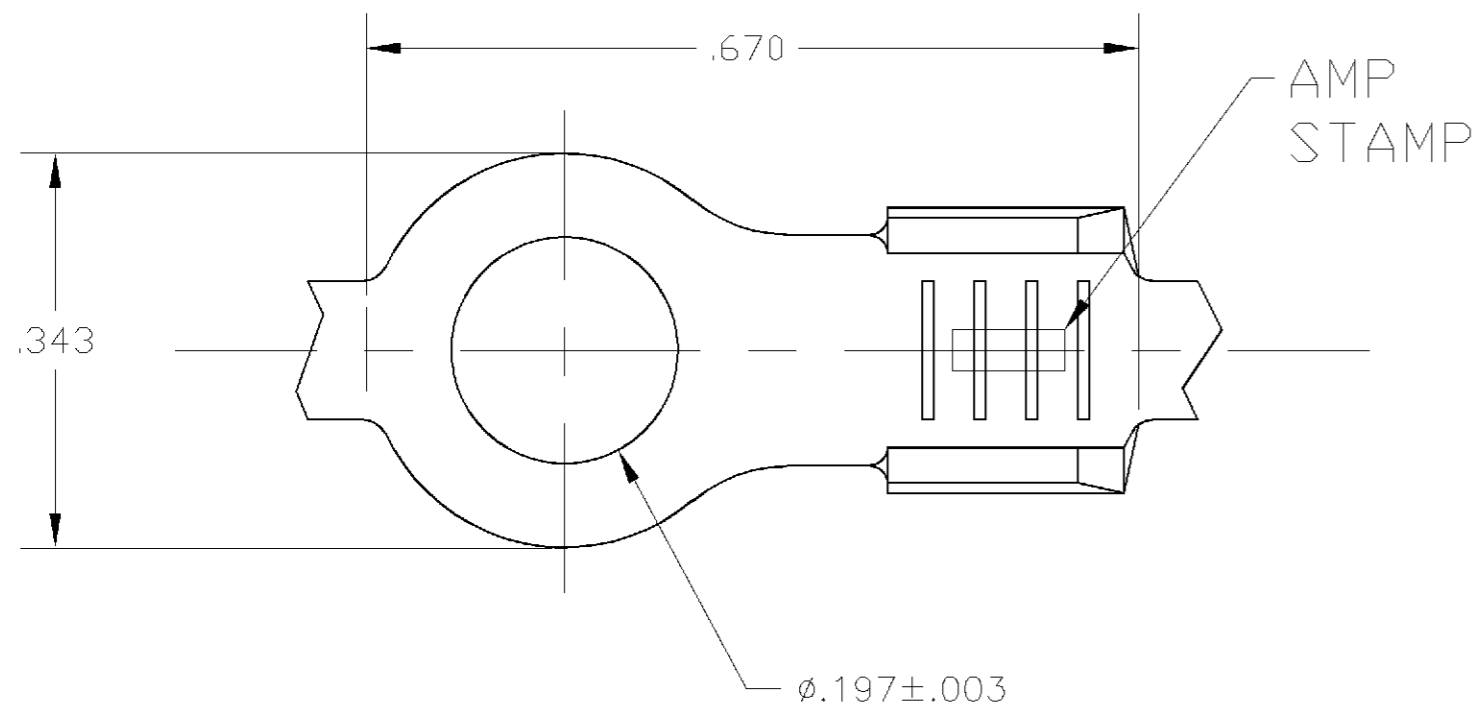
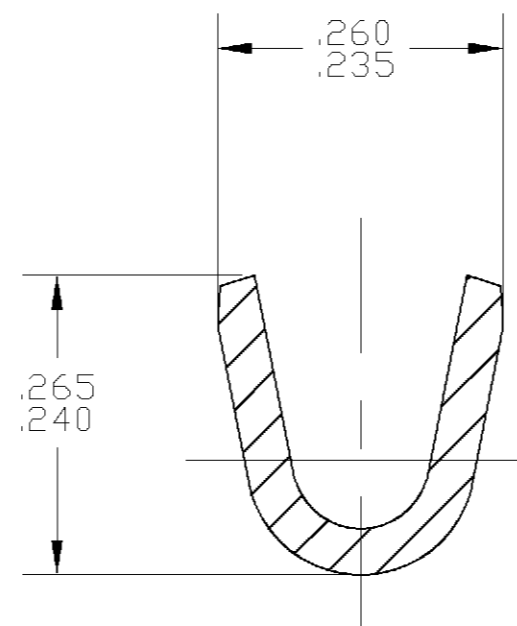
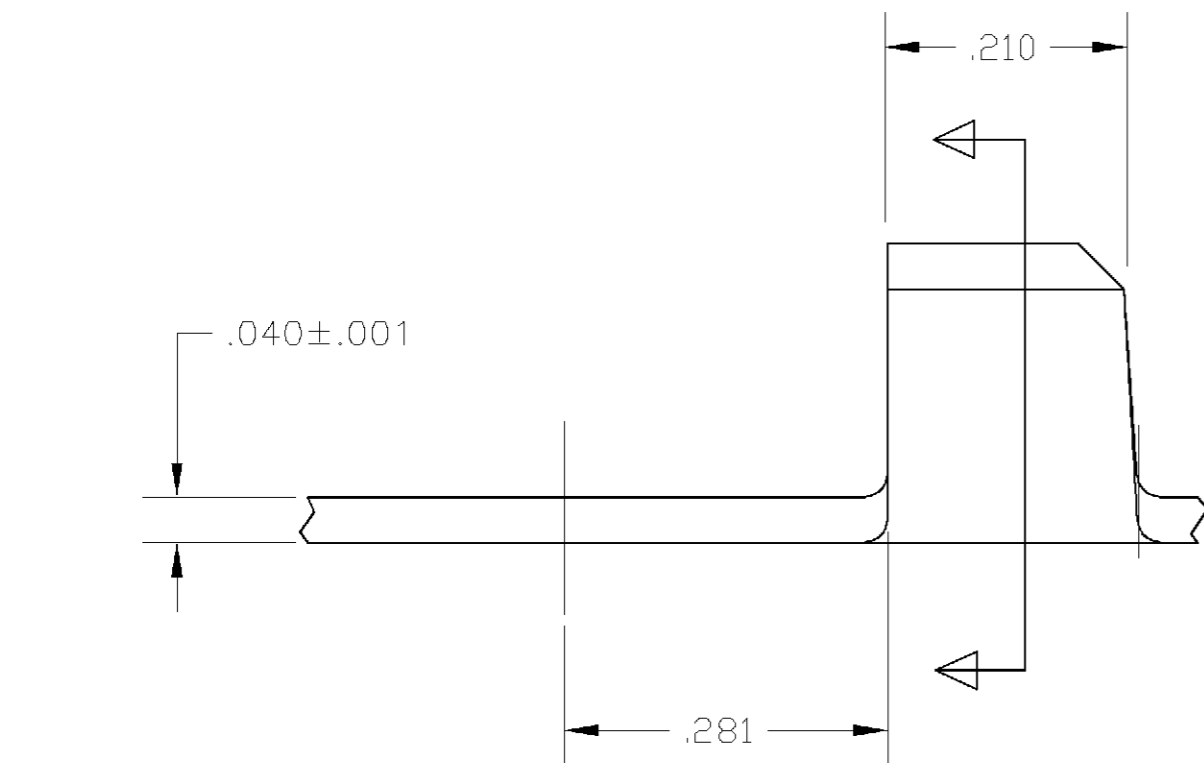


THIS DRAWING IS UNPUBLISHED. RELEASED FOR PUBLICATION  
 © COPYRIGHT 64 BY TYCO ELECTRONICS CORPORATION. ALL RIGHTS RESERVED.

| LOC | DIST | REVISIONS |     |                          |         |     |      |
|-----|------|-----------|-----|--------------------------|---------|-----|------|
|     |      | P         | LTR | DESCRIPTION              | DATE    | DWN | APVD |
| AF  | 50   |           | Z   | REDRAWN PER OG3A-0051-02 | 14FEB02 | MF  | DD   |



- 1 CONTINUOUS STRIP ON REELS.
- 2 .000200 MIN SILVER PLATE.



|          |            |        |             |
|----------|------------|--------|-------------|
| OBSOLETE | 12-10 AWG  | 2      | 41911-1     |
|          | 12-10 AWG  |        | 41911       |
|          | WIRE RANGE | FINISH | PART NUMBER |

|   |  |                                   |  |  |
|---|--|-----------------------------------|--|--|
| THIS DRAWING IS A CONTROLLED DOCUMENT.  |  | DWN 14FEB2002<br>MICHAEL S. FEHER | Tyco Electronics Corporation<br>Harrisburg, PA |  |
| DIMENSIONS: INCHES  |  | CHK 14FEB2002<br>DONALD DECKER    |  |  |
| TOLERANCES UNLESS OTHERWISE SPECIFIED:  |  | APVD 14FEB2002<br>DONALD DECKER   | NAME<br>TERMINAL, RING #10 STUD                |  |
| 0 PLC ± -<br>1 PLC ± -<br>2 PLC ± -<br>3 PLC ± .010<br>4 PLC ± -<br>ANGLES ± 1° |  | PRODUCT SPEC<br>-                 | SIZE CAGE CODE DRAWING NO RESTRICTED TO        |  |
| MATERIAL 082 BRASS  |  | FINISH SEE TABLE                  | WEIGHT - A2 00779 C=41911                      |  |
|   |  | CUSTOMER DRAWING                  | SCALE 6:1 SHEET 1 OF 1 REV Z                   |  |