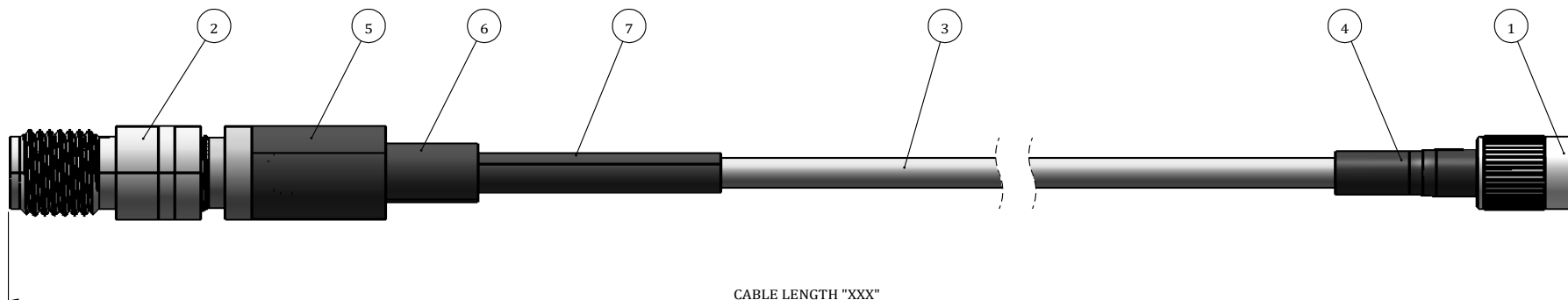


REV.	REGION	DESCRIPTION	DATE	BY
A		PRELIMINARY RELEASE	30.Jun.20	Falcon



PART NUMBER	LENGTH (CM)	TOLERANCE (mm)	Max VSWR Up to 40Ghz	Max insertion loss(dB) Up to 40Ghz
TM7SMSTS9FS0016	16	± 5	1.35:1	1.08
TM7SMSTS9FS0020	20	± 5	1.35:1	1.32
TM7SMSTS9FS0031	31	± 5	1.35:1	1.79
TM7SMSTS9FS0046	46	± 8	1.35:1	2.50
TM7SMSTS9FS0061	61	± 8	1.35:1	3.21
TM7SMSTS9FS0076	76	± 8	1.35:1	3.92
TM7SMSTS9FS0091	91	± 8	1.35:1	4.63
TM7SMSTS9FS0100	100	± 12	1.35:1	5.03
TM7SMSTS9FS0122	122	± 12	1.35:1	6.04

7	M23053/5-304-0	C-TUBG,HTSK,GPO,1/8,BL	N/A	1.2"
6	ATUM-8/2-0	TUBG,HTSK,ID=0.315",ADHSV,BLK,	N/A	0.7"
5	M23053/5-305-0	RC-TUBG,HTSK,3/16,BLK	N/A	0.4"
4	M23053/4-101-0	ADHESIVE , 1/8 HST BLACK	N/A	.5"
3	16701078-01	LOW LOSS .078 COAXIAL CABLE	N/A	SEE TABLE
2	TM7S-9FS-00	2.92mm FEMALE FOR 078 CABLE	N/A	1
1	TM7S-ST5-00	CONN, SSMP, FEMALE, STRAIGHT, TL	N/A	1
ITEM	PART NUMBER	DESCRIPTION	MATERIAL	QTY

NOTE(S):

- 1, SOLDER PER IPC J-STD-001, USING LEAD FREE SOLDER.
- 2, NOMINAL TOLERANCE REFER TO ISO2768-F.
- 3, CABLE LENGTH TOLERANCE REFER TO ISO2768-V, AND TOLERANCE VALUE MULTIPLIED BY 2.
- 4, WORK ORDER LABEL NOT SHOWN WILL BE ATTACHED TO CABLE .



ISO2768-V (mm)					
6~30	30~120	120~400	400~1K	1K~2K	>2K
±1	±1.5	±2.5	±4	±6	±8

ISO2768-F (mm)					
0.5~3	3~6	6~30	30~120	120~400	400~1000
±0.05	±0.05	±0.1	±0.1	±0.2	±0.3

☆ KEY DIMENSION
NEED 100% INSPECTION
(XX) REF. DIMENSION
FOR REF. ONLY

INFORMATION CONTAINED ON THIS DRAWING IS CONFIDENTIAL AND MAY ALSO CONTAIN PROPRIETARY CARLISLE/CUSTOMER INFORMATION. DRAWING CONTENT IS ONLY INTENDED FOR USE OF THE ABOVE CUSTOMER IF YOU ARE NOT THE INTENDED RECIPIENT OR AUTHORIZED EMPLOYEE OF ABOVE COMPANY NAME, YOU ARE HEREBY NOTIFIED ANY USE, DUPLICATION, RECONSTRUCTION, OR DISTRIBUTION OF DRAWING INFORMATION IS STRICTLY PROHIBITTED.

DRAWN: Falcon	<p>Dongguan City,Guangdong P.R. China 523533</p>	PROJECT NAME:	
CHECKED:		ASSY, 078, SSMP ST(F) - 2.92(F), XXcm, 2ps	
APPROVED:		PART NUMBER: TM7SMSTS9FS00XX	
MATERIAL:	SIZE A4		PART NAME: CABLE ASSEMBLY
SCALE 2:1		DO NOT SCALE DRAWING	
		REVISION: A DATA: 30.Jun.20 SHEET 1 OF 1	