

DRAWING MADE IN THIRD ANGLE PROJECTION

3

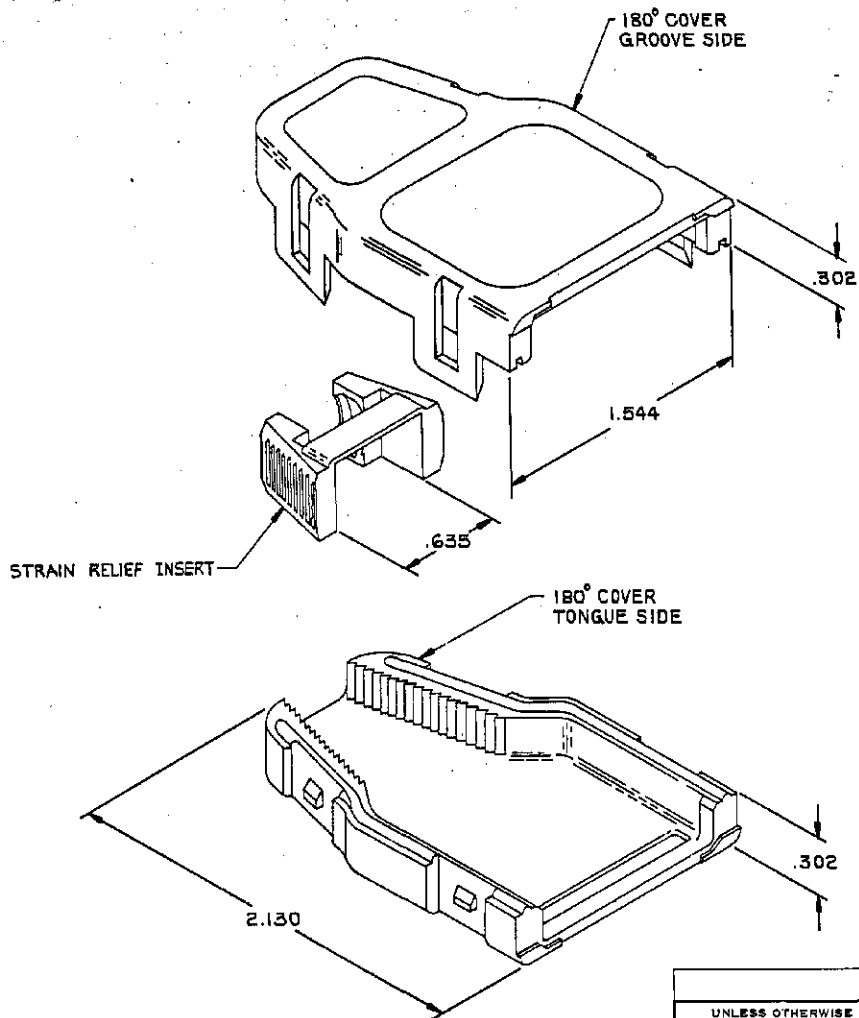
2

1

LOG DIST
GP 1 00

THIS DRAWING IS UNPUBLISHED. RELEASED FOR PUBLICATION .19
 © COPYRIGHT 19 BY AMP INCORPORATED, HARRISBURG, PA. ALL INTERNATIONAL RIGHTS
 RESERVED. AMP PRODUCTS MAY BE COVERED BY U.S. AND FOREIGN PATENTS AND/OR PATENTS PENDING.

REVISIONS					
#	F	ZONE/LTR	DESCRIPTION	DATE	APPROVED
		C	REVISED PER EC 0S11-0216-03	08SEP04	JG



1. ALL DIMENSIONS SHOWN ARE MAXIMUM UNLESS OTHERWISE SPECIFIED.
2. MATERIAL: COVERS-POLYPHENYLENE OXIDE, BLACK. STRAIN RELIEF-POLYPROPYLENE, BLACK.
3. CABLE RANGE: 250-500 DIA.
4. THIS KIT SHIPPED NOT ASSEMBLED.

554944

POLY BAG	554944-1
PACKAGED	PART NO

UNLESS OTHERWISE SPECIFIED DIMENSIONS ARE IN INCHES. TOLERANCES ON: DECIMALS ± .005 ANGLES ± .5°	CONTRACT NO	AMP INCORPORATED Harrisburg, Pa. 17106	
	DR	NAME	
	CHK	COVER KIT, 180°, 24 POSITION, SHIELDED CHAMP	
	APPD	DRAWING NO	
MATERIAL	APPD	SIZE	FSCM NO
FINISH	DEGN APPD	C	00779
	OTHER APPD	SCALE	2:1
		SHEET 1 OF 1	